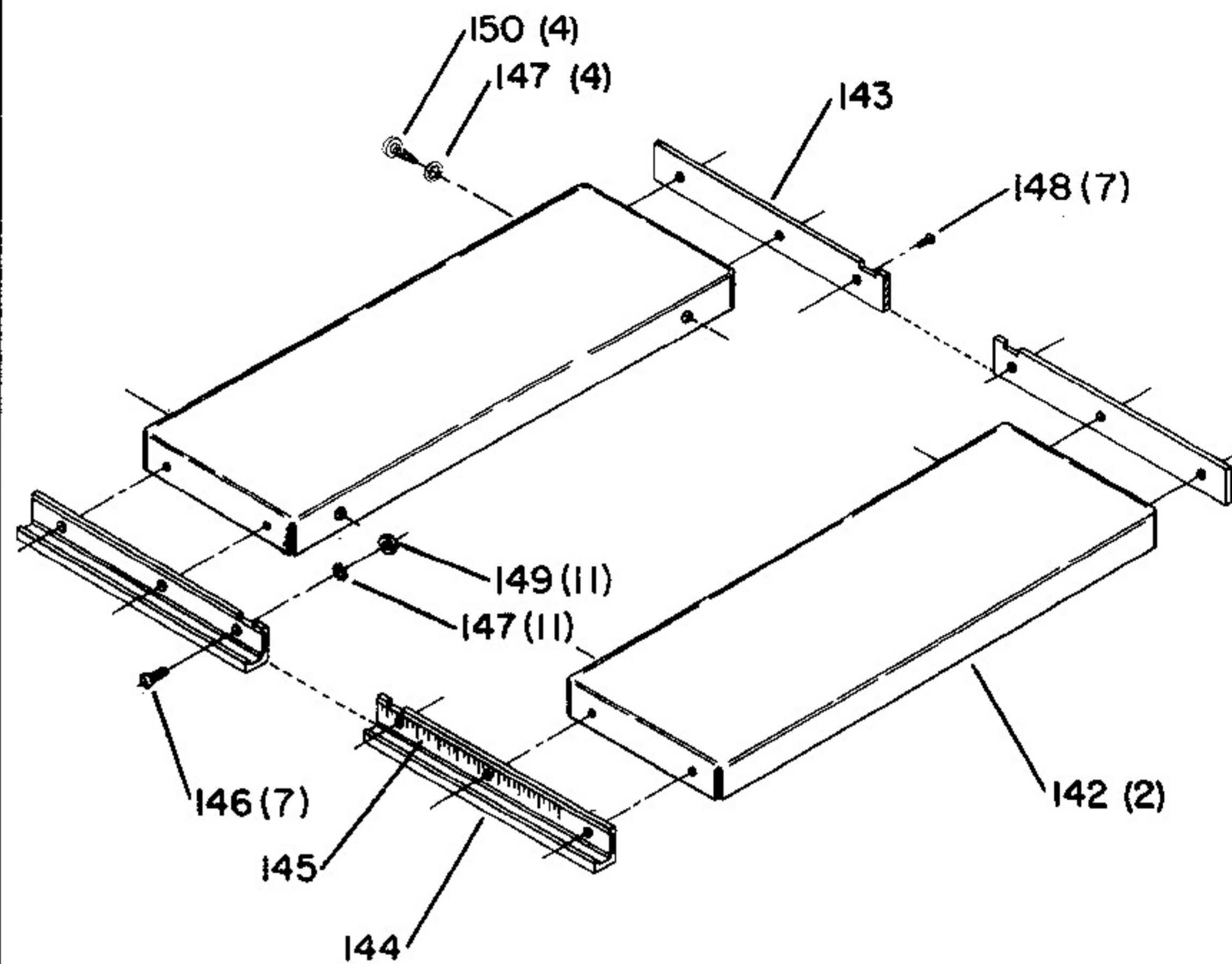
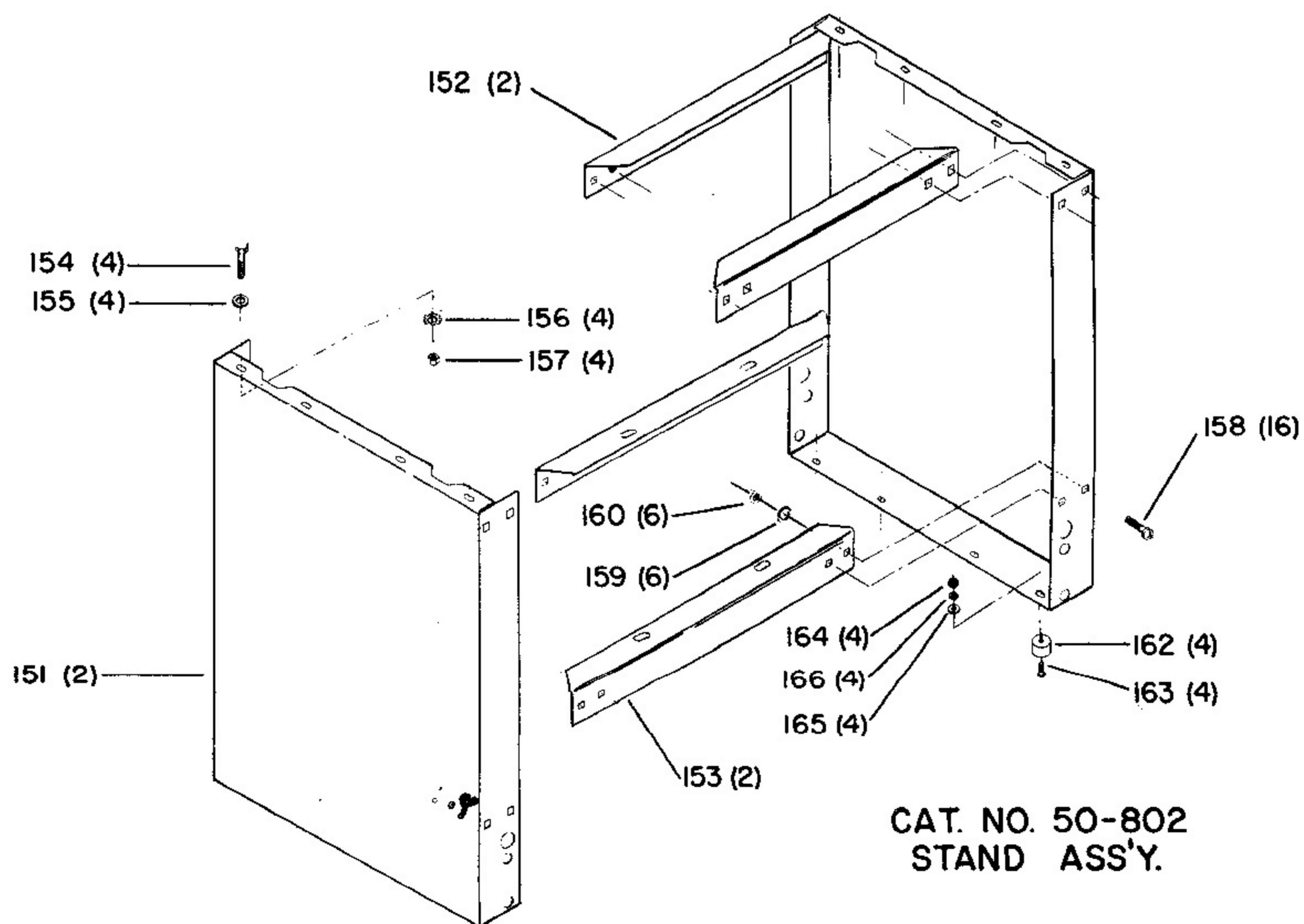


GRID EXTENSION WINGS AND GUIDE RAILS



SOLID EXTENSION WINGS AND GUIDE RAILS



CAT. NO. 50-802  
STAND ASS'Y.