

346XP, 353

Spare parts

Ersatzteile

Pièces détachées

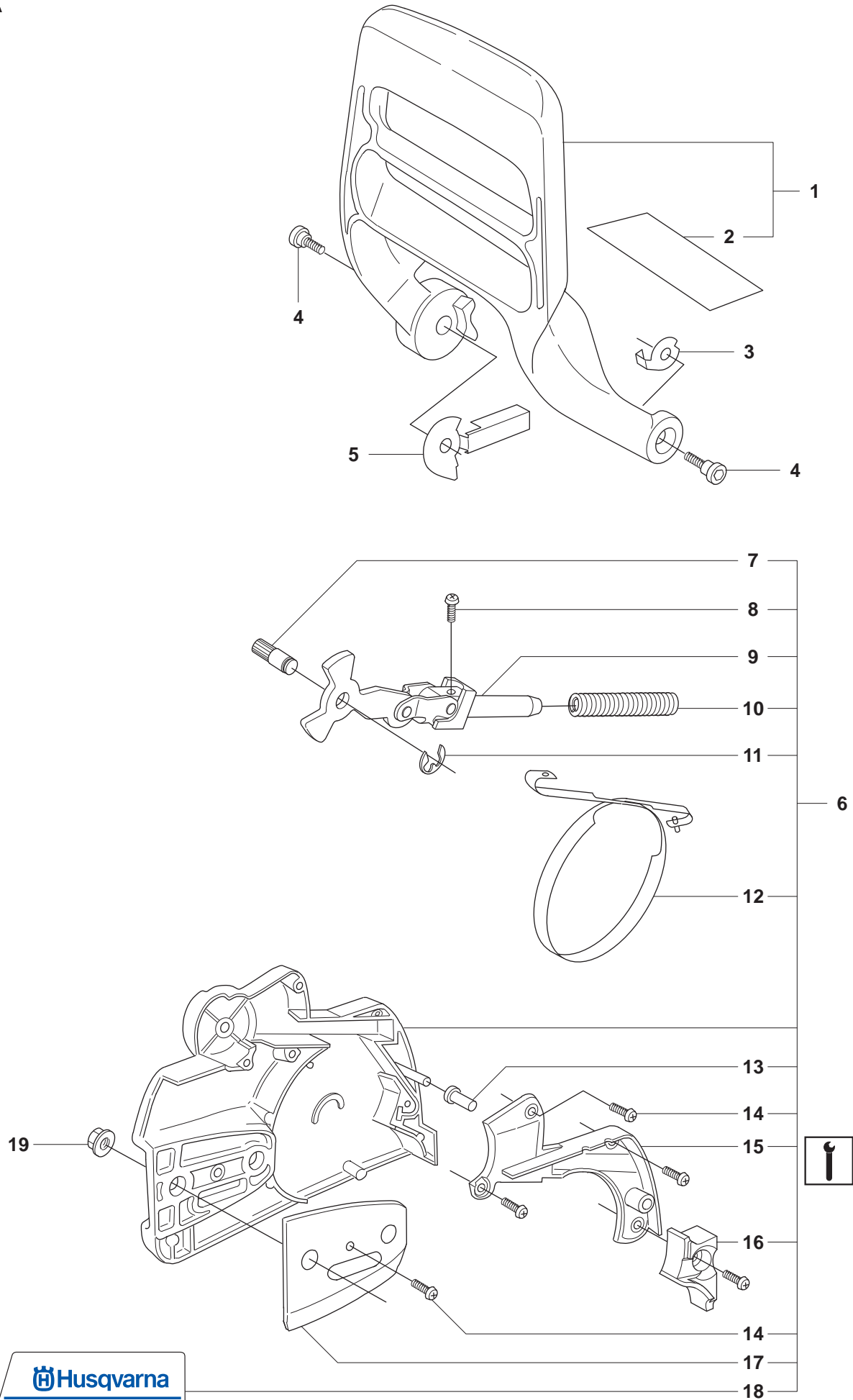
Reserve onderdelen

Repuestos

Reservdelar

A

346XP(New edition)/353

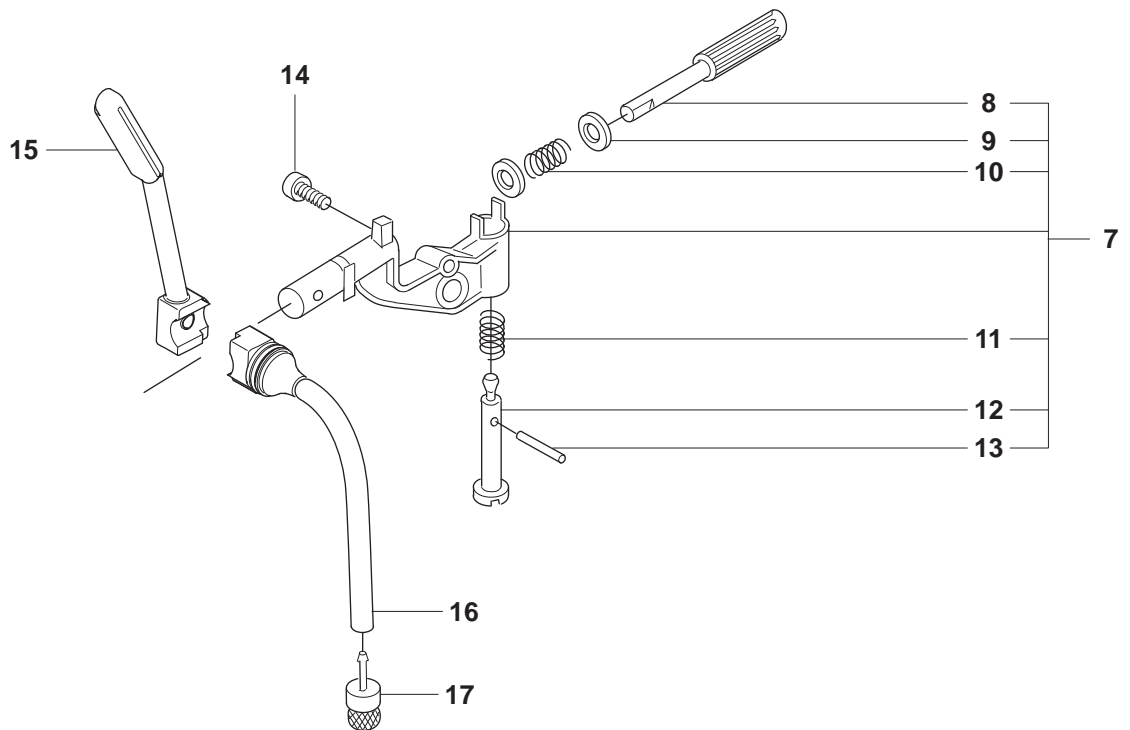
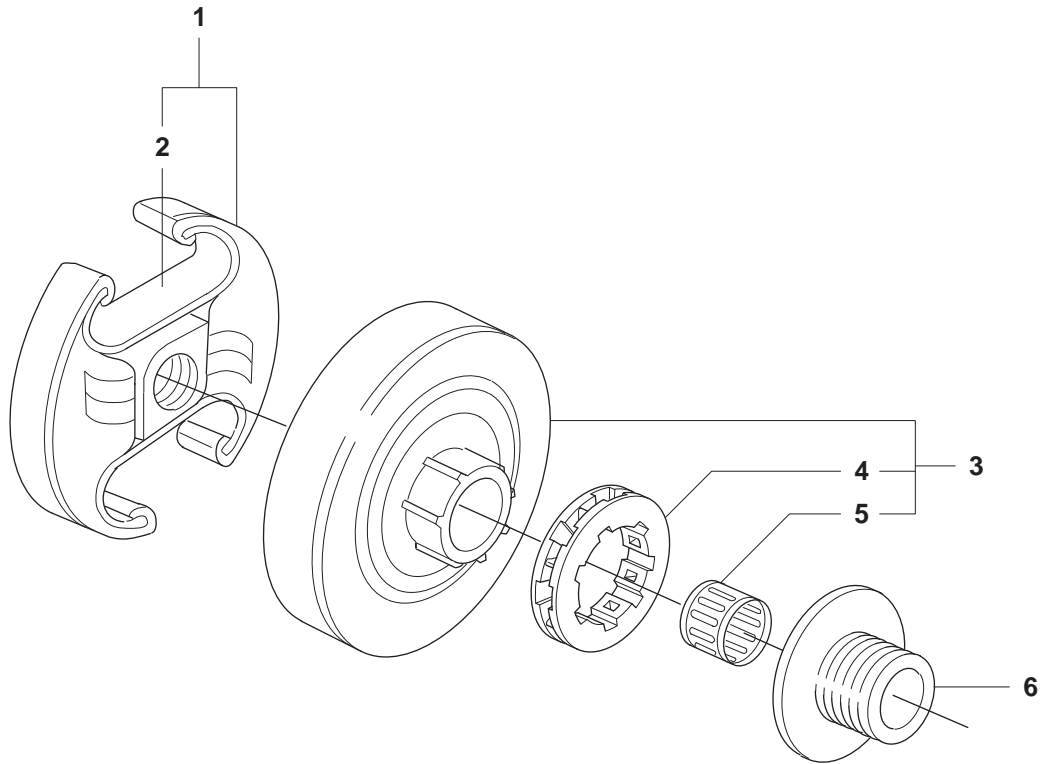


Page A
346XP/353

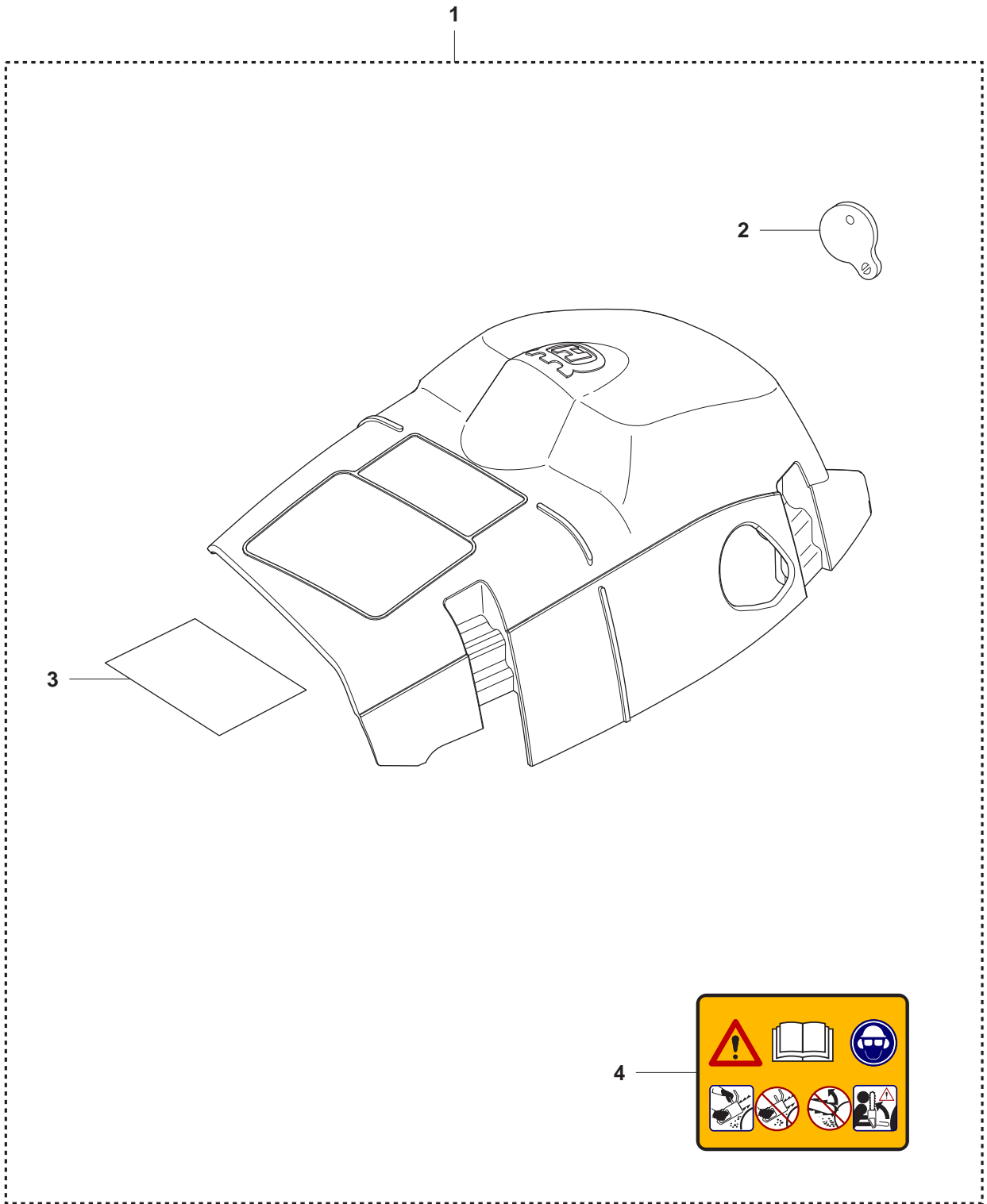
Pos.	Compl No.	Part No.	Quantity	Notes
1		537 15 28-01	1	
2	537 15 28-01	537 15 27-01	1	
3		503 92 95-01	1	
4		503 89 30-02	2	
5		537 02 99-01	1	
6		537 10 78-03	1	orange, 353
6		537 10 78-04	1	grey, 346XP
7	537 10 78-03	503 89 29-01	1	
7	537 10 78-04	503 89 29-01	1	
8	537 10 78-03	503 21 70-10	1	
8	537 10 78-04	503 21 70-10	1	
9	537 10 78-03	503 89 08-02	1	
9	537 10 78-04	503 89 08-02	1	
10	537 10 78-03	503 46 59-01	1	
10	537 10 78-04	503 46 59-01	1	
11	537 10 78-03	735 31 08-20	1	
11	537 10 78-04	735 31 08-20	1	
12	537 10 78-03	537 04 30-01	1	
12	537 10 78-04	537 04 30-01	1	
13	537 10 78-03	503 85 52-01	1	
13	537 10 78-04	503 85 52-01	1	
14	537 10 78-03	503 21 70-72	5	
14	537 10 78-04	503 21 70-72	5	
15	537 10 78-03	537 10 80-02	1	
15	537 10 78-04	537 10 80-02	1	
16	537 10 78-03	537 08 90-01	1	
16	537 10 78-04	537 08 90-01	1	
17	537 10 78-03	503 85 66-01	1	
17	537 10 78-04	503 85 66-01	1	
18	537 10 78-03	537 37 04-01	1	
18	537 10 78-04	537 37 04-01	1	
19		503 22 00-01	2	

B

346XP(New edition)/353



Pos.	Compl No.	Part No.	Quantity	Notes
1		537 11 05-03	1	
2	537 11 05-03	537 35 91-01	1	
3		503 98 00-71	1	
4	503 98 00-71	501 45 74-02	1	
5	503 98 00-71	503 25 52-01	1	
6		503 89 21-02	1	
7		544 18 01-03	1	
8	544 18 01-03	537 06 91-02	1	
9	544 18 01-03	503 23 00-60	2	
10	544 18 01-03	503 89 16-01	1	
11	544 18 01-03	503 89 15-01	1	
12	544 18 01-03	537 02 71-01	1	
13	544 18 01-03	721 11 64-30	1	
14		503 21 74-12	1	
15		537 41 32-01	1	
16		537 10 11-01	1	
17		504 71 00-03		

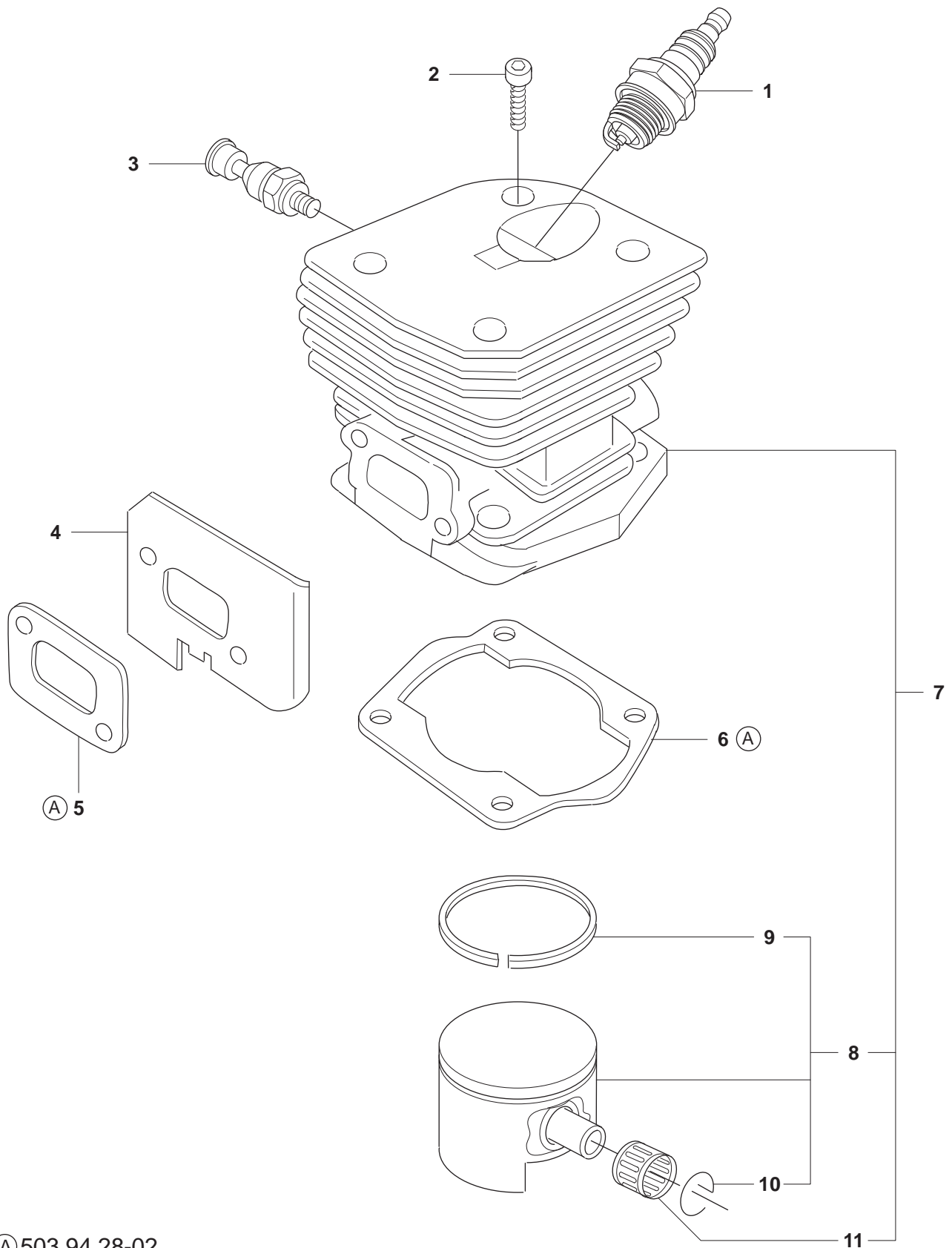


Page C
346XP/353

Pos.	Compl No.	Part No.	Quantity	Notes
1		504 05 43-01	1	
2	504 05 43-01	501 63 97-01	1	
3	504 05 43-01	503 84 59-01	1	
4	504 05 43-01	503 98 74-01	1	

D

346XP(New edition)/353



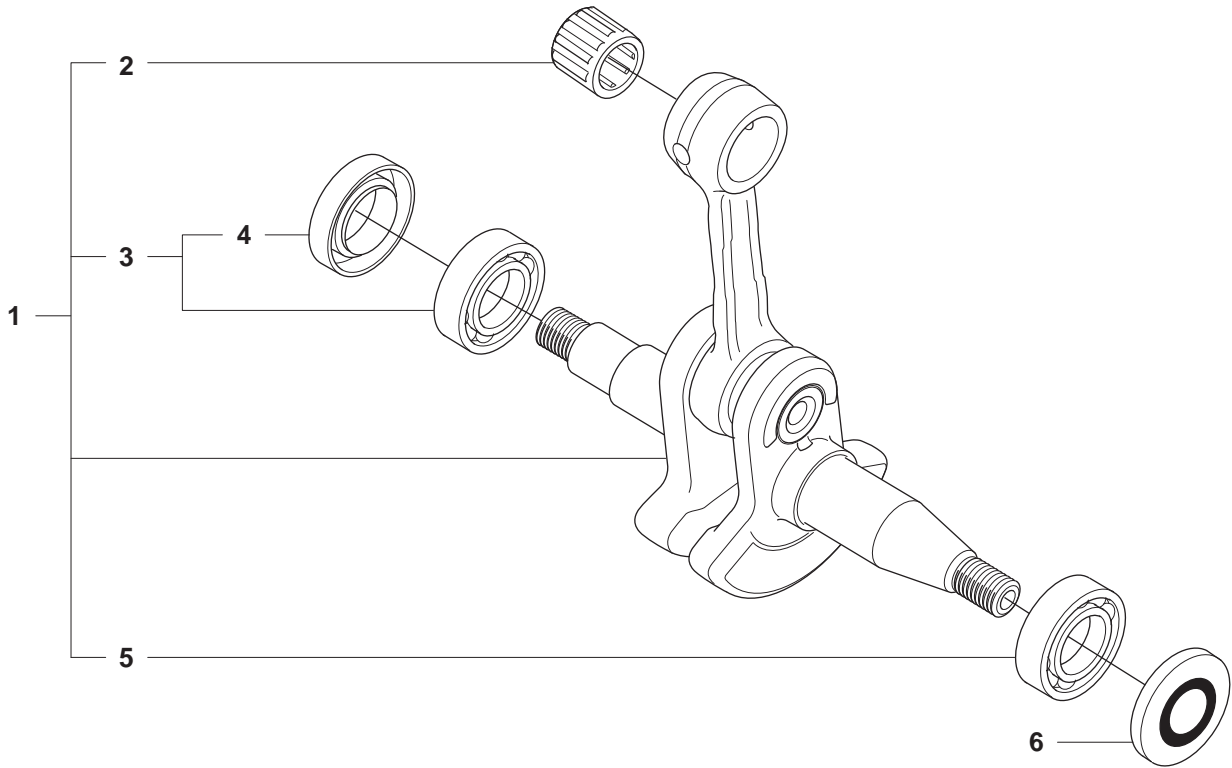
(A) 503 94 28-02
Set of gaskets
Dichtungssatz
Jeu de joints
Juego de juntas
Packningssatz

Page D
346XP/353

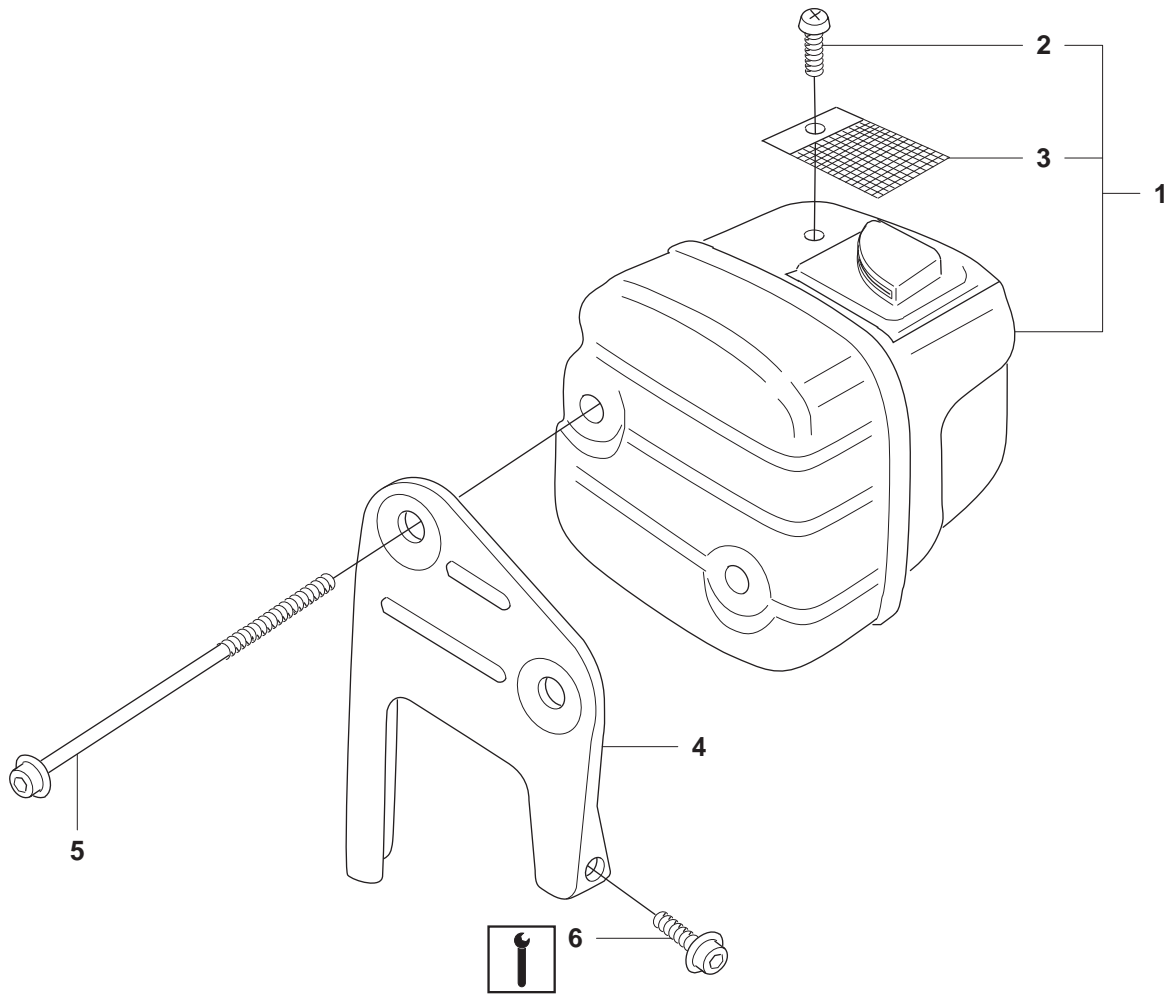
Pos.	Compl No.	Part No.	Quantity	Notes
1		503 23 51-08	1	
2		725 53 33-55	4	
3		503 66 54-01	1	
4		503 97 13-01	1	
5	503 94 28-02	503 86 25-01	1	A
6	503 94 28-02	503 89 44-01	1	A
7		537 25 31-02	1	353
7		544 14 29-03	1	346XP
7		544 14 29-04	1	346XP with deco. valve
7		503 86 98-72	1	346XP Japan 45cc, 42 mm
8	537 25 31-02	537 22 36-02	1	
8	544 14 29-03	544 14 31-02	1	
8	544 14 29-04	544 14 31-02	1	
8	503 86 98-72	503 90 73-71	1	
9	537 22 36-02	503 28 90-11	1	
9	544 14 31-02	503 28 90-56	1	
9	503 90 73-71	503 28 90-05	1	
10	537 22 36-02	737 44 10-00	2	
10	544 14 31-02	737 44 10-00	2	
10	503 90 73-71	737 44 10-00	2	
11	537 22 36-02	501 45 16-01	1	
11	544 14 31-02	501 45 16-01	1	
A		503 94 28-02	1	Set of gaskets

E

346XP(New edition)/353



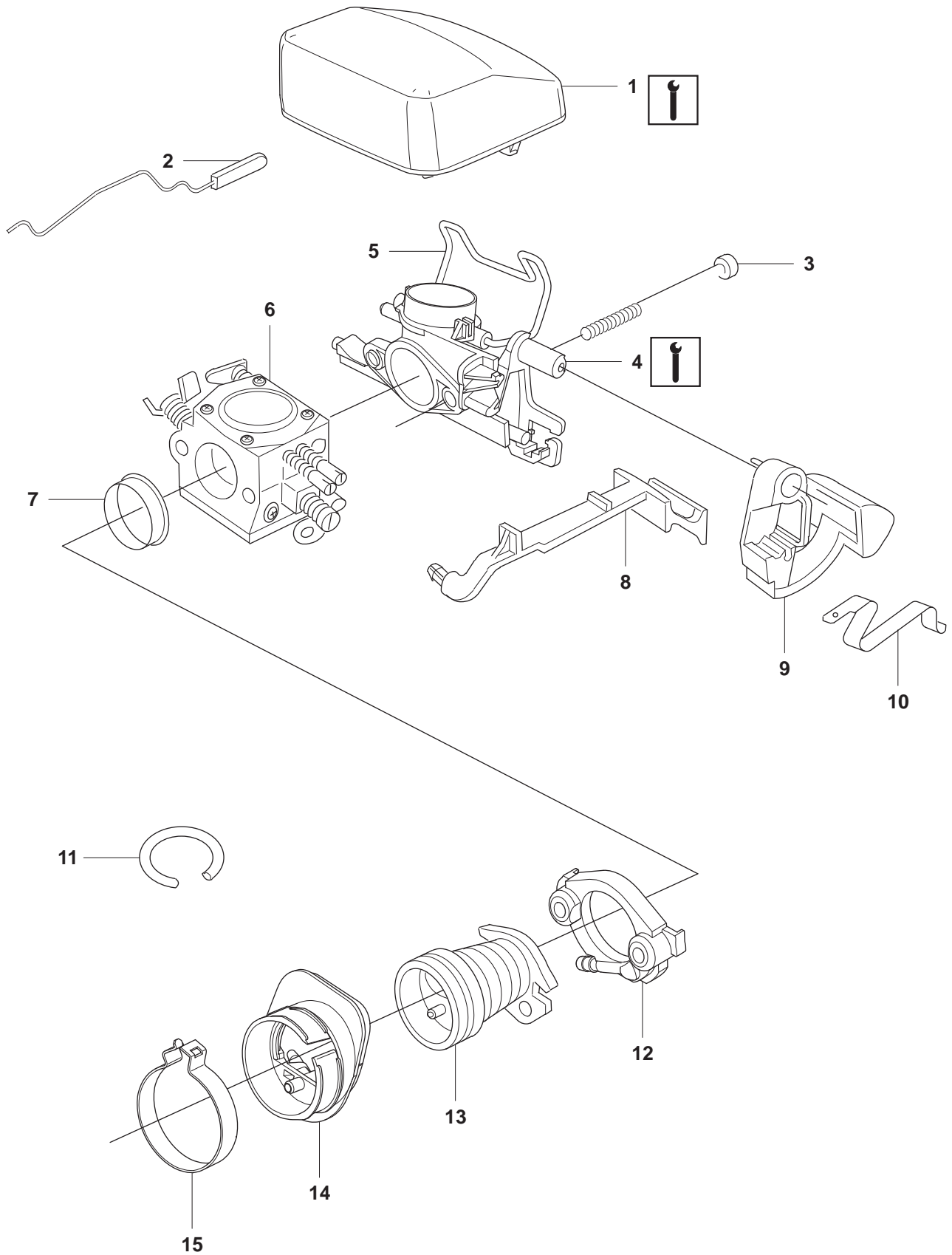
Pos.	Compl No.	Part No.	Quantity	Notes
1		503 85 76-71	1	
2	503 85 76-71	501 45 16-01	1	
3	503 85 76-71	505 41 60-01	1	
4	505 41 60-01	505 41 61-01	1	
5	503 85 76-71	738 22 02-25	1	
6		505 27 57-19	1	



Pos.	Compl No.	Part No.	Quantity	Notes
1		544 02 83-01	1	DF
1		537 07 54-02	1	E-tech
2	544 02 83-01	724 12 87-59	1	
2	537 07 54-02	724 12 87-59	1	
3	544 02 83-01	503 86 36-01	1	
3	537 07 54-02	503 86 36-01	1	
4		544 80 98-01	1	
5		503 20 45-87	2	
6		503 20 07-76	1	
8				
9				
9				
10				
10				
11				
11				
A				

G

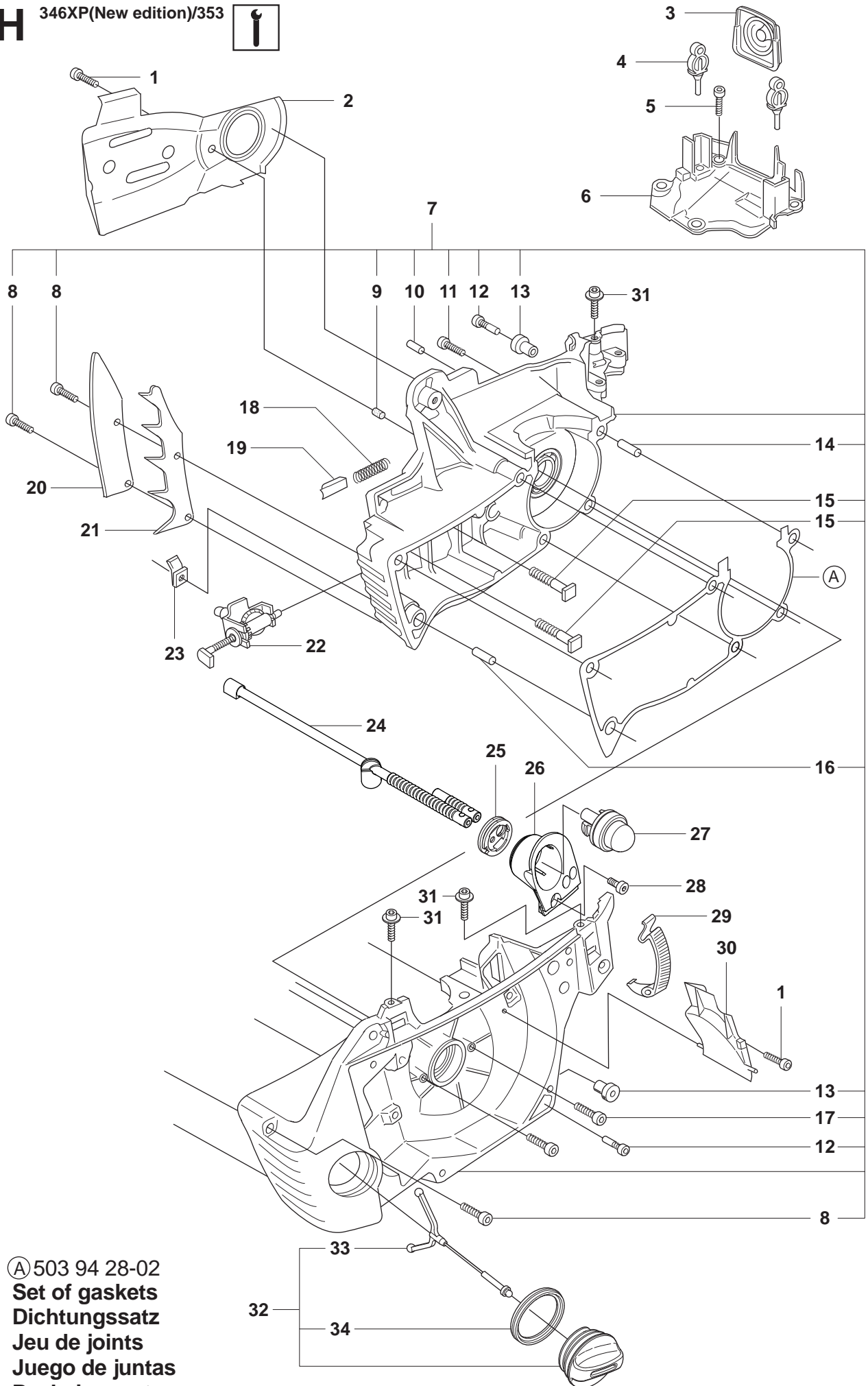
346XP(New edition)/353



Pos.	Compl No.	Part No.	Quantity	Notes
1		537 26 49-01	1	NYLON 80my Black
1		537 26 49-02	1	NYLON 44my Yellow
1		537 26 49-03	1	FELT White
2		503 88 92-01	1	
3		503 21 74-50	2	
4		544 36 05-01	1	
5		537 39 31-02	1	
6		503 28 32-10	1	C3-EL32 B
7		537 02 90-01	1	
8		503 86 96-01	1	
9		503 86 95-02	1	
10		503 86 97-02	1	
11		544 32 51-01	1	
12		544 45 29-01	1	
13		503 86 63-02	1	
14		537 42 28-01	1	
15		537 43 88-01	1	

H

346XP(New edition)/353



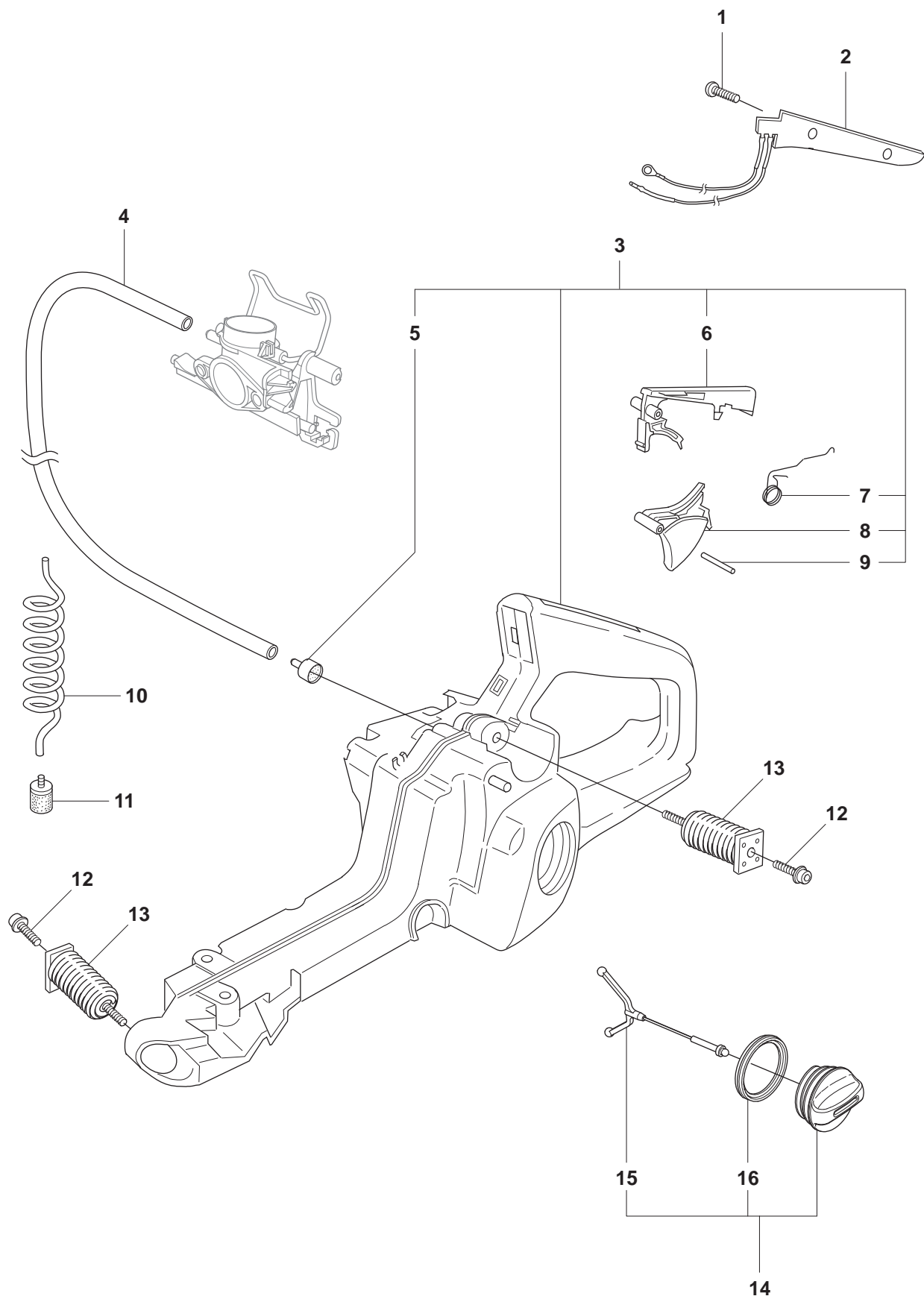
Ⓐ 503 94 28-02
Set of gaskets
Dichtungssatz
Jeu de joints
Juego de juntas
Packningssatz

Page H
346XP/353

Pos.	Compl No.	Part No.	Quantity	Notes
1		503 21 74-12	3	
2		537 40 56-01	1	
3		537 14 65-01	1	
4		503 86 93-01	2	
5		503 21 75-12	4	
6		544 36 07-01	1	
7		537 17 19-05	1	
8	537 17 19-05	503 20 07-76	3	
9	537 17 19-05	537 04 03-01	1	
10	537 17 19-05	721 12 07-30	1	
11	537 17 19-05	503 20 08-70	6	
12	537 17 19-05	503 21 51-01	2	
13	537 17 19-05	503 86 92-01	2	
14	537 17 19-05	503 90 56-01	1	
15	537 17 19-05	503 87 54-01	2	
16	537 17 19-05	503 90 56-01	1	
17	537 17 19-05	503 20 25-16	2	
18		503 43 65-01	1	
19		503 89 24-01	1	
20		503 93 04-01	1	
21		503 90 59-01	1	
22	537 07 12-01	537 07 12-01	1	
23		503 88 63-01	1	
24		544 33 10-01	1	
25		504 01 09-01	1	
26		504 07 15-03	1	
27		503 93 66-01	1	
28		544 44 97-01	1	
29		503 89 47-01	3	orange, 353
29		503 89 47-03	3	grey, 346XP
30		503 88 86-01	1	
31		503 21 39-01	3	
32		537 28 15-02	1	
33	537 28 15-02	503 57 89-01	1	
34	537 28 15-02	501 62 68-01	1	
A		503 94 28-02	1	Set of gaskets

J

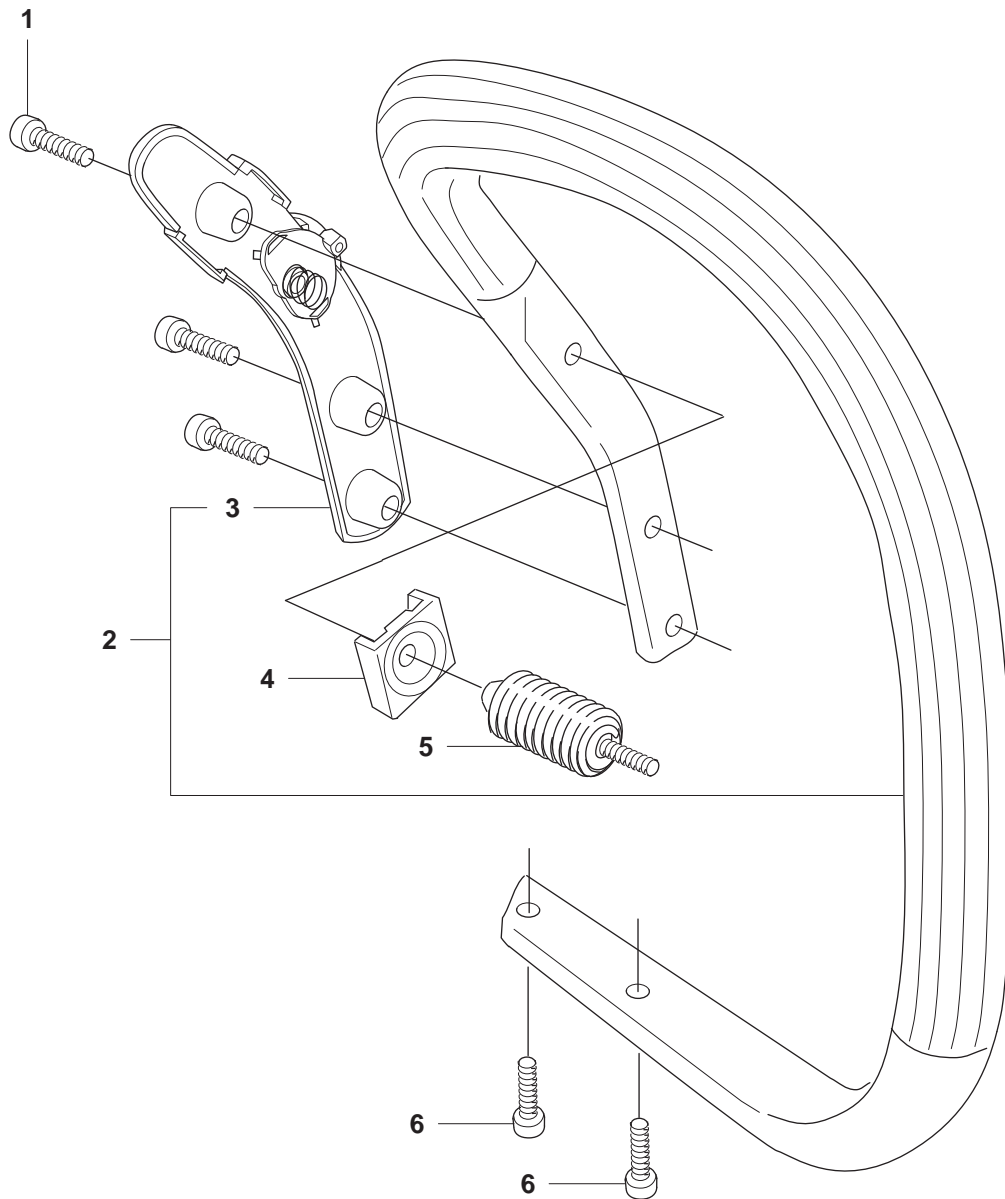
346XP(New edition)/353



Pos.	Compl No.	Part No.	Quantity	Notes
1		503 21 38-01	2	XPG
2		503 92 61-02	1	XPG
3		503 86 37-03	1	
4		544 32 49-20	1	
5	503 86 37-03	537 35 95-01	1	
6	503 86 37-03	503 85 44-01	1	
7	503 86 37-03	503 99 86-01	1	
8	503 86 37-03	503 85 45-01	1	
9	503 86 37-03	720 18 25-20	1	
10		544 32 50-02	1	
11		503 44 32-01	1	
12		503 21 88-76	2	
13		503 85 41-01	2	
14		537 21 52-02	1	std
14		537 21 52-03	1	E-tech
15	537 21 52-02	503 57 89-01	1	
15	537 21 52-03	503 57 89-01	1	
16	537 21 52-02	537 21 50-01	1	
16	537 21 52-03	537 21 50-01	1	

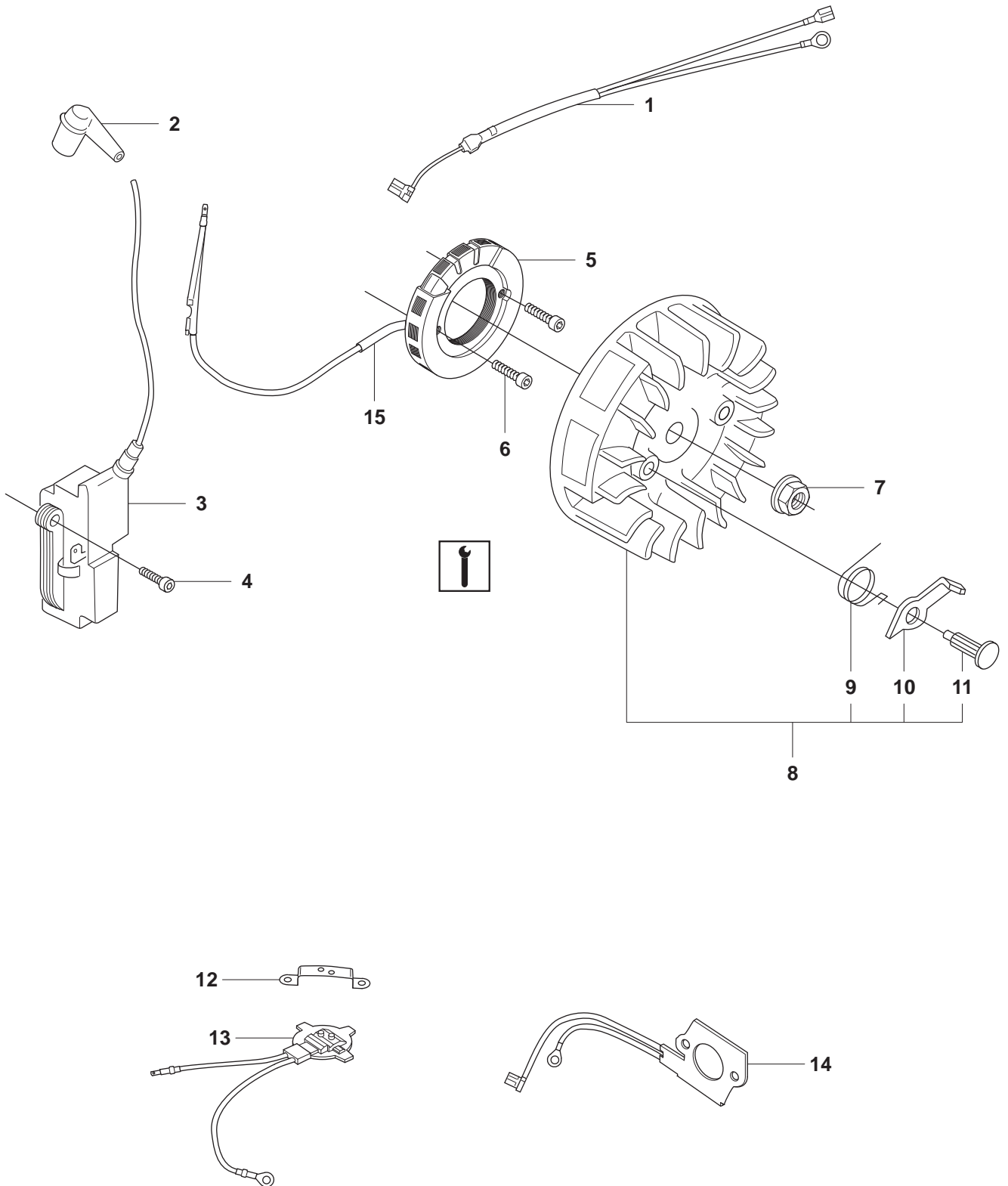
K

346XP(New edition)/353

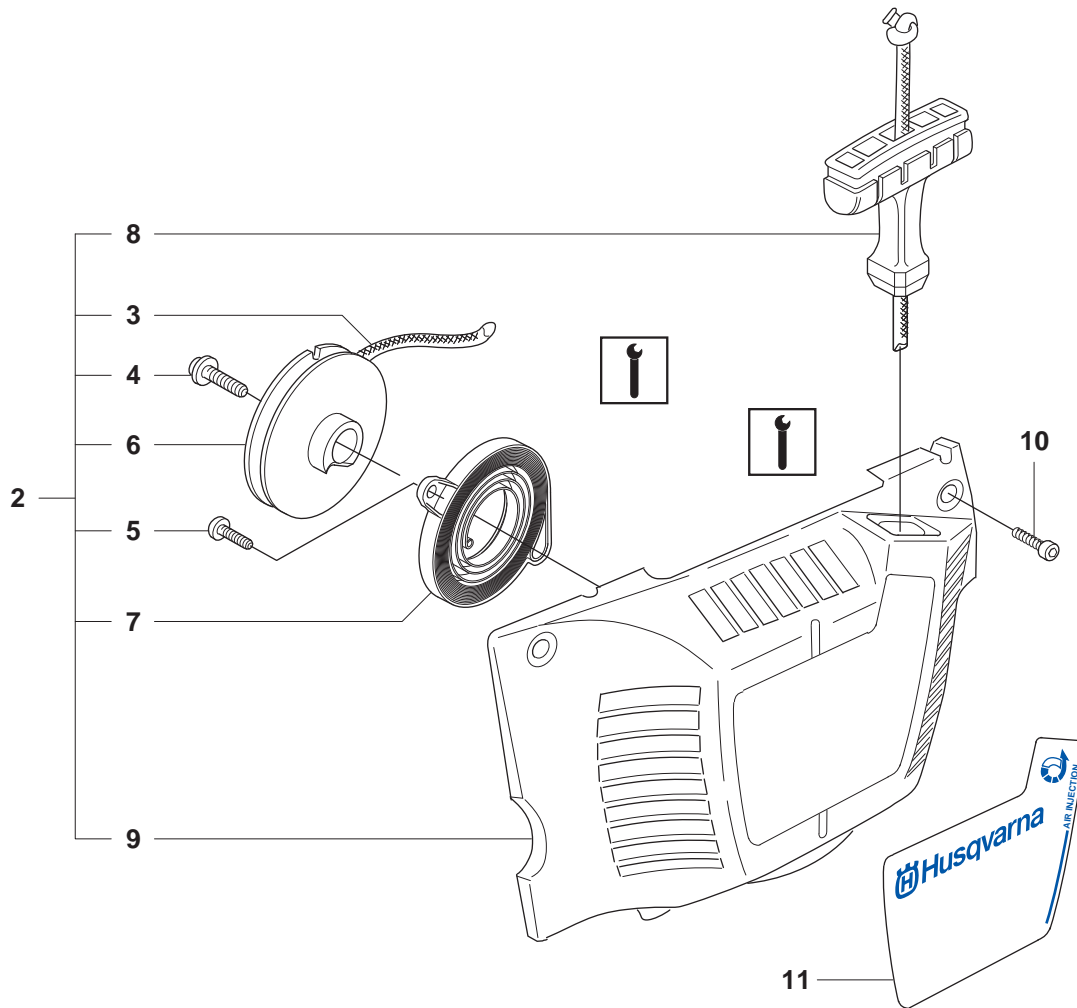
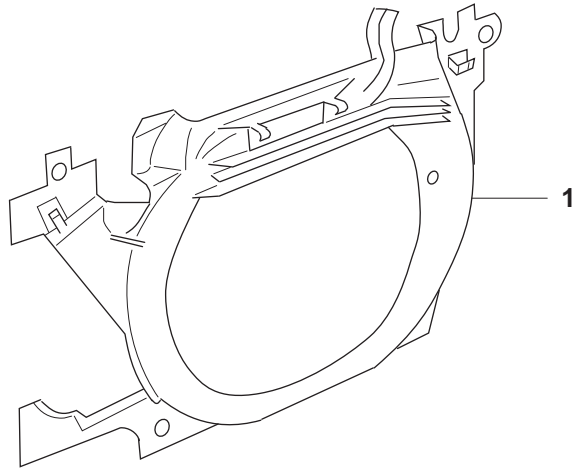


Page K
346XP/353

Pos.	Compl No.	Part No.	Quantity	Notes
1		503 21 88-76	3	
2		537 30 17-01	1	
2		537 30 17-02	1	XPG
3	537 30 17-02	537 32 68-01	1	XPG
4		503 92 24-01	1	
5		503 89 83-01	1	
6		503 21 88-72	2	



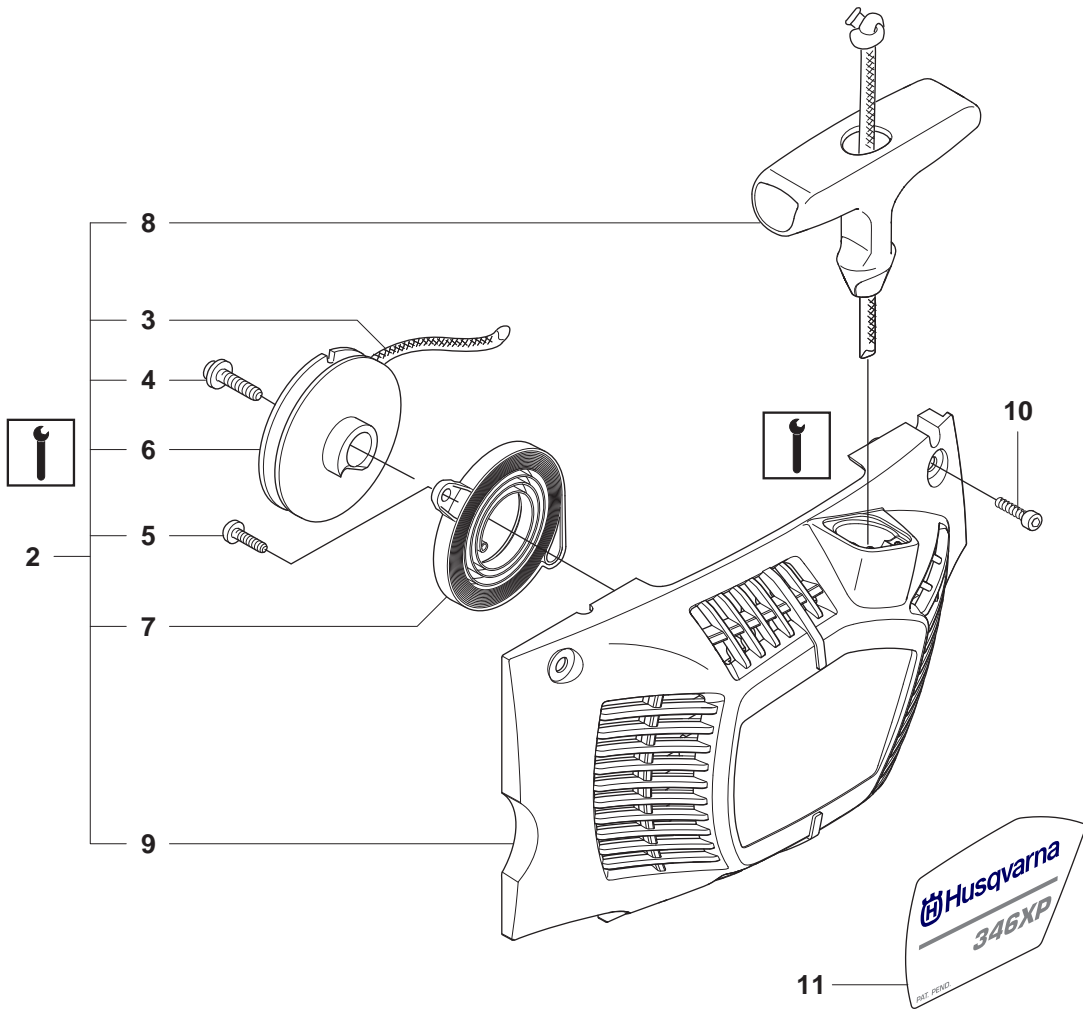
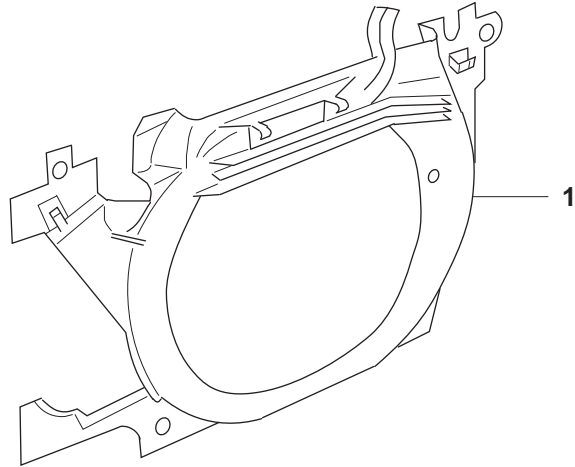
Pos.	Compl No.	Part No.	Quantity	Notes
1		503 89 87-04	1	
2	501 48 54-02	501 48 54-02	1	compl
3		544 04 70-01	1	353/346XP Japan
3		501 32 38-01	1	346XP New Edition
4		503 21 55-25	2	
5		537 33 02-01	1	XPG/G
5		502 60 96-01	1	XPG/G, Heated carb
6		503 20 25-16	2	
7		503 22 04-01	1	
8		503 82 43-01	1	
8		503 82 43-02	1	XPG/G
8		503 82 43-03	1	XPG/G, Heated carb
9	503 82 43-01	503 78 32-01	2	
9	503 82 43-02	503 78 32-01	2	XPG/G
9	503 82 43-03	503 78 32-01	2	XPG/G, Heated carb
10	503 82 43-01	503 89 50-01	2	
10	503 82 43-02	503 89 50-01	2	XPG/G
10	503 82 43-03	503 89 50-01	2	XPG/G, Heated carb
11	503 82 43-01	503 79 05-02	2	
11	503 82 43-02	503 79 05-02	2	XPG/G
11	503 82 43-03	503 79 05-02	2	XPG/G, Heated carb
12		537 06 04-02	1	XPG/G, Heated carb
13		501 98 63-01	1	XPG/G, Heated carb
14		504 04 32-01	1	XPG/G, Heated carb
15		504 04 35-01	1	XPG/G, Heated carb



Page M1
346XP/353

Pos.	Compl No.	Part No.	Quantity	Notes
1		503 89 06-01	1	
2		537 10 47-02	1	
3	537 10 47-02	505 30 51-25	1	
4	537 10 47-02	503 21 77-16	1	
5	537 10 47-02	503 21 29-10	2	
6	537 10 47-02	537 09 25-01	1	
7	537 10 47-02	537 09 31-01	1	
8	537 10 47-02	503 54 39-01	1	
9	537 10 47-02	537 10 27-02	1	
10		503 20 34-19	4	
11		537 37 05-10	1	353
11		537 37 05-12	1	353G
11		537 37 05-13	1	353G Heated carb
11		537 37 05-11	1	353 E-tech
11		537 37 05-14	1	353G E-tech
11		537 37 05-15	1	353G Heated carb E-tech
11		537 37 05-04	1	346XP (old)
11		537 37 05-06	1	346XPG (old)
11			1	
11				

M2 346XP(New edition)

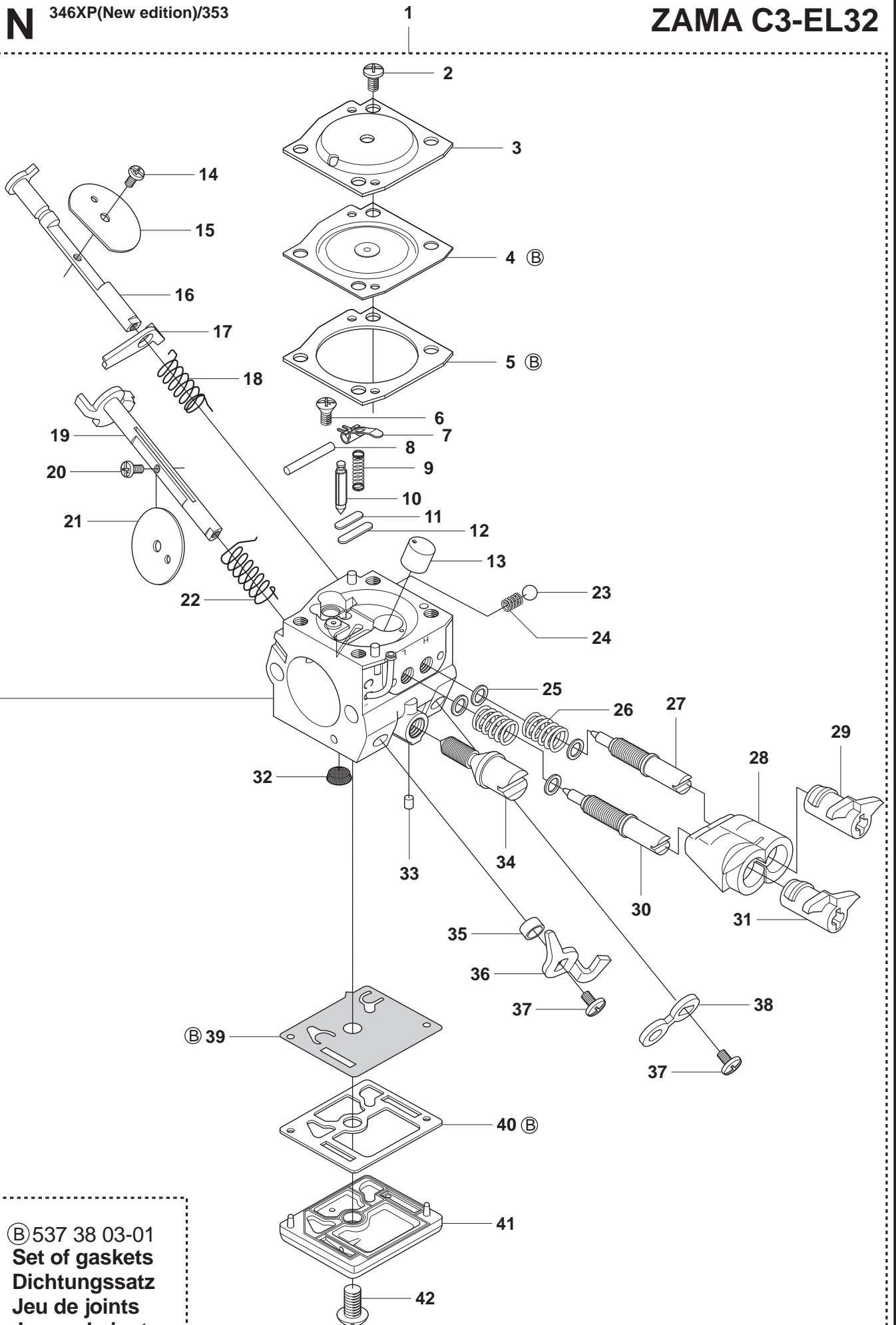


Page M2
346XP (New edition)

Pos.	Compl No.	Part No.	Quantity	Notes
1		503 89 06-01	1	
2		544 97 34-01	1	
3	544 97 34-01	505 30 51-25	1	
4	544 97 34-01	503 21 77-16	1	
5	544 97 34-01	503 21 28-10	2	
6	544 97 34-01	537 09 25-01	1	
7	544 97 34-01	537 09 31-01	1	
8	544 97 34-01	537 23 25-01	1	
9	544 97 34-01	544 97 35-01	1	
10		544 08 03-01	4	
11		544 97 36-01	1	346XP
11		544 97 36-03	1	346XPG
11		544 97 36-04	1	346XPG Heated carb
11		544 97 36-02	1	346XP E-tech
11		544 97 36-05	1	346XPG E-tech
11		544 97 36-06	1	346XPG Heated carb E-tech

N

346XP(New edition)/353

ZAMA C3-EL32

(B) 537 38 03-01
Set of gaskets
Dichtungssatz
Jeu de joints
Juego de juntas
Packningssats

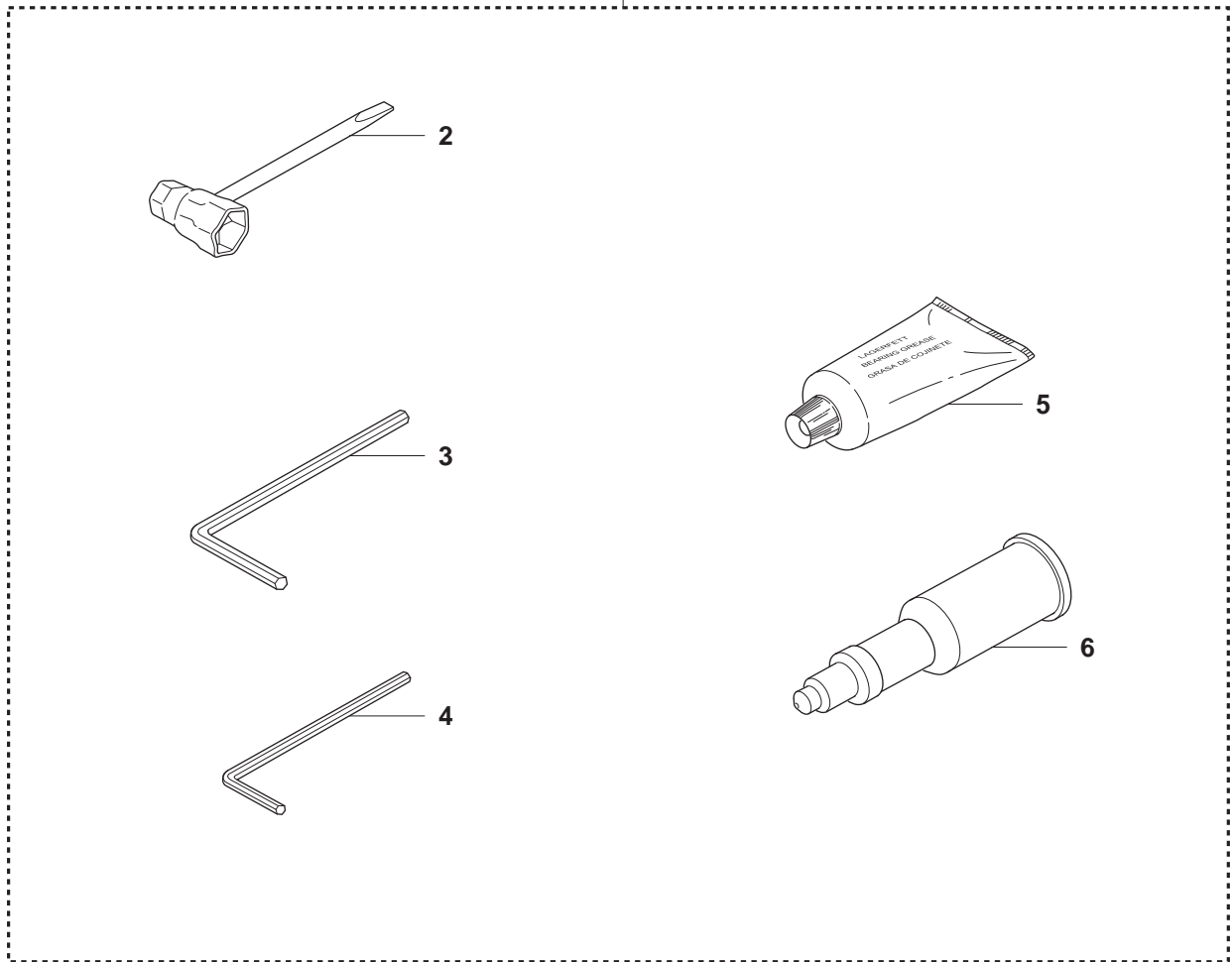
Pos.	Compl No.	Part No.	Quantity	Notes
1		503 28 32-10	1	
2	503 28 32-10	503 48 05-01	4	
3	503 28 32-10	537 17 60-01	1	
4	503 28 32-10	537 17 59-01	1	B
5	503 28 32-10	503 88 44-01	1	B
6	503 28 32-10	503 48 01-01	1	
7	503 28 32-10	537 17 64-01	1	
8	503 28 32-10	503 48 00-01	1	
9	503 28 32-10	537 17 63-01	1	
10	503 28 32-10	537 17 62-01	1	
11	503 28 32-10	537 17 78-01	1	
12	503 28 32-10	503 53 56-01	1	
13	503 28 32-10	537 41 61-01	1	
14	503 28 32-10	503 52 36-01	1	
15	503 28 32-10	544 05 66-01	1	
16	503 28 32-10	537 26 67-01	1	
17	503 28 32-10	544 05 67-01	1	
18	503 28 32-10	537 17 66-01	1	
19	503 28 32-10	537 26 63-01	1	
20	503 28 32-10	503 48 18-01	1	
21	503 28 32-10	537 26 66-01	1	
22	503 28 32-10	537 17 61-01	1	
23	503 28 32-10	537 01 25-01	1	
24	503 28 32-10	537 01 26-01	2	
25	503 28 32-10	503 90 31-01	4	
26	503 28 32-10	503 48 08-01	2	
27	503 28 32-10	537 17 85-01	1	
28	503 28 32-10	503 90 34-01	1	
29	503 28 32-10	503 90 33-01	1	
30	503 28 32-10	537 26 70-01	1	
31	503 28 32-10	503 90 32-01	1	
32	503 28 32-10	503 53 57-01	1	
33	503 28 32-10	503 48 11-01	1	
34	503 28 32-10	537 17 76-01	1	
35	503 28 32-10	503 48 19-01	1	
36	503 28 32-10	537 17 69-01	1	
37	503 28 32-10	503 47 90-01	2	
38	503 28 32-10	537 17 75-01	1	
39	503 28 32-10	537 38 02-01	1	B
40	503 28 32-10	503 61 66-01	1	B
41	503 28 32-10	537 17 68-01	1	
42	503 28 32-10	503 47 96-01	1	
B		537 38 03-01	1	Set of gaskets

P

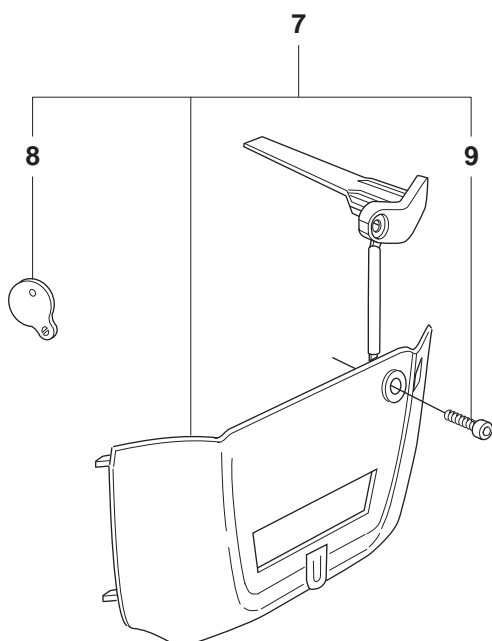
346XP(New edition)/353

Tillbehör
Accessories
Zubehöre
Accessoires
Accesorios

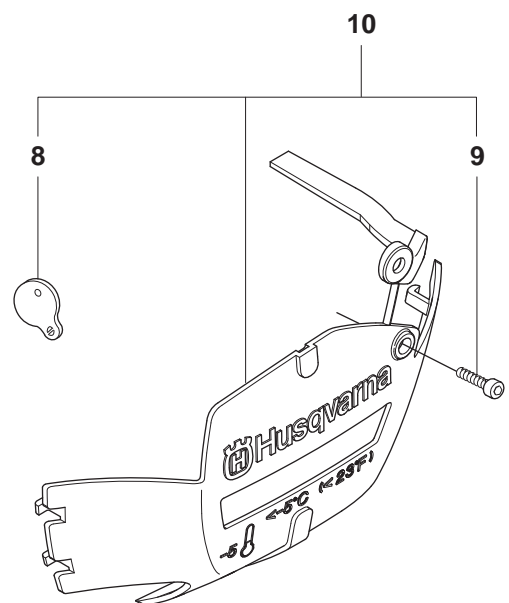
1



WINTER KIT 353



WINTER KIT 346XP(New edition)



Page P
346XP/353

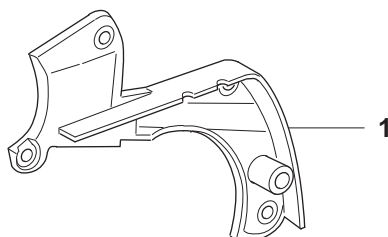
Pos.	Compl No.	Part No.	Quantity	Notes
1		503 55 85-04	1	
2	503 55 85-04	501 69 17-01	1	
3	503 55 85-04	503 55 86-02	1	
4	503 55 85-04	503 55 86-01	1	
5	503 55 85-04	503 62 12-01	1	
6	503 55 85-04	501 91 14-01	1	
7		537 04 28-02	1	Winter kit 353
8	537 04 28-02	501 63 97-01	1	
8	501 97 48-01	501 63 97-01	1	
9	537 04 28-02	503 21 70-16	1	
9	501 97 48-01	503 21 70-16	1	
10		501 97 48-01	1	Winter kit 346XP

Q

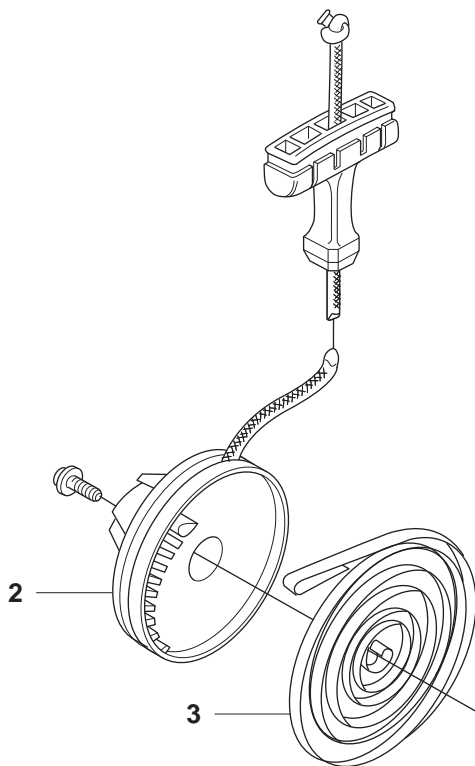
346XP(New edition)/353



Up to 004100041 (346XP)



Up to 010700001 (346XP)



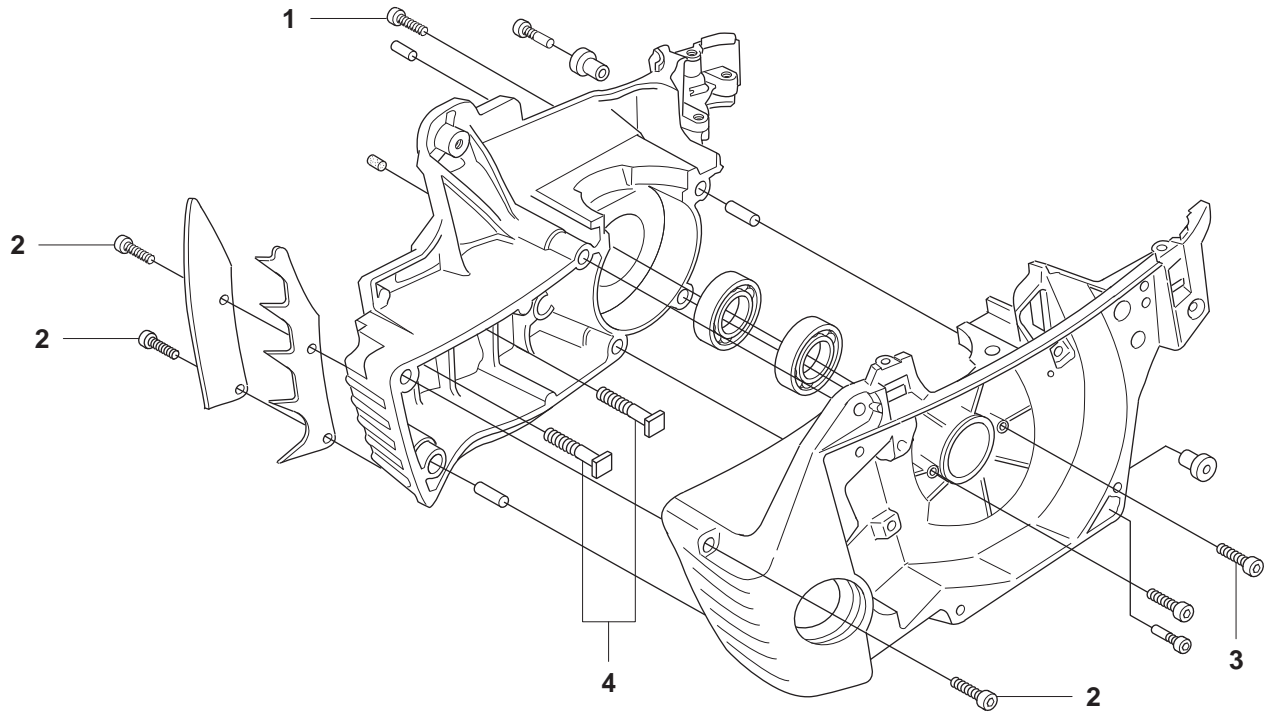
Pos.	Compl No.	Part No.	Quantity	Notes
1		503 89 07-02	1	
2		503 87 63-01	1	
3		503 85 99-01	1	
4				
5				
5				
5				
6				

R

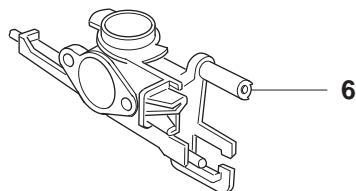
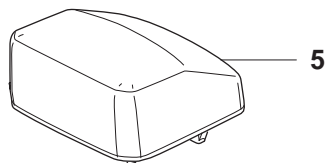
346XP(New edition)/353



Up to 030500001 (346XP)



Up to 034200001 (346XP) Up to 034200001 (353)

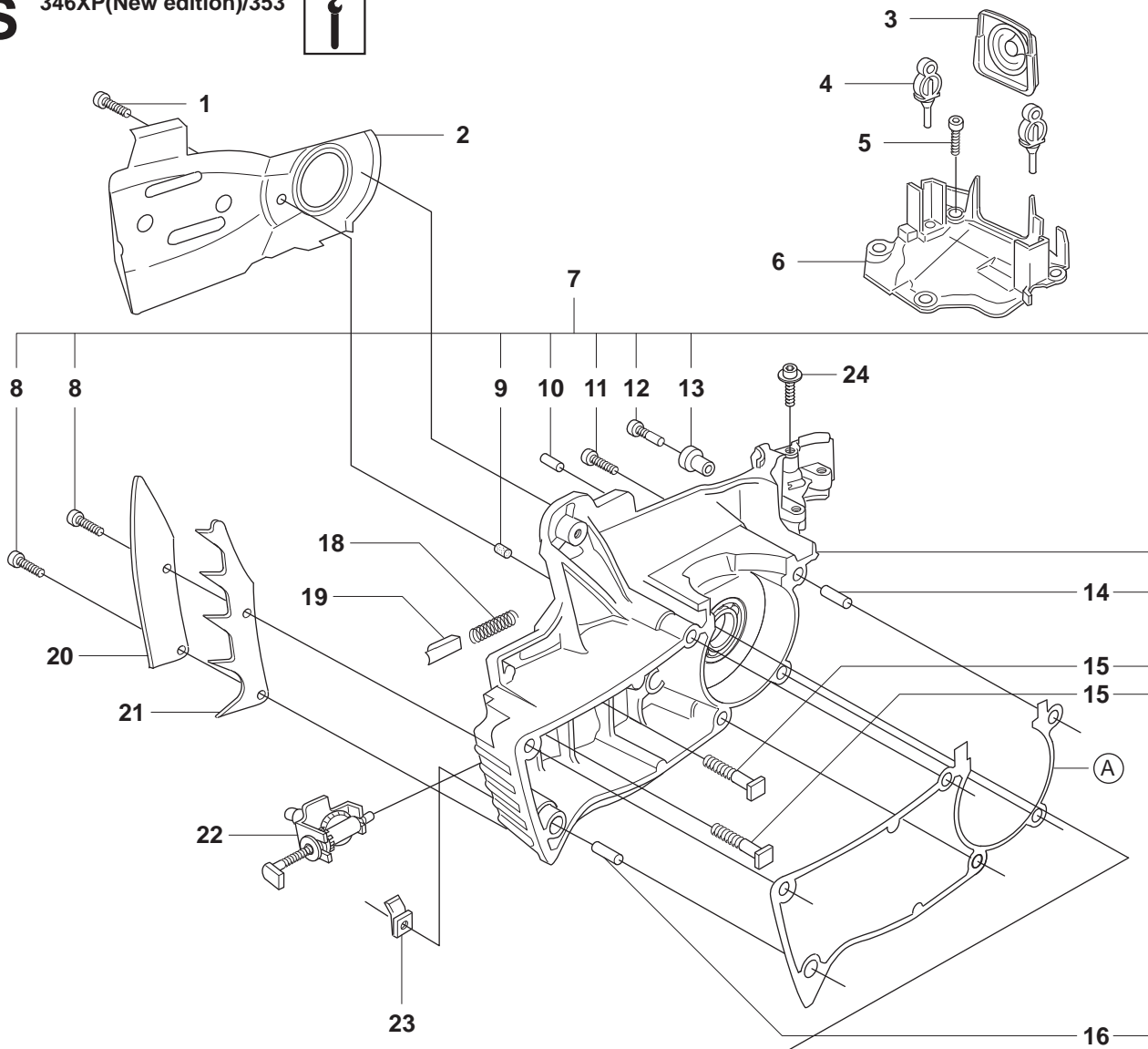


Page R
346XP/353

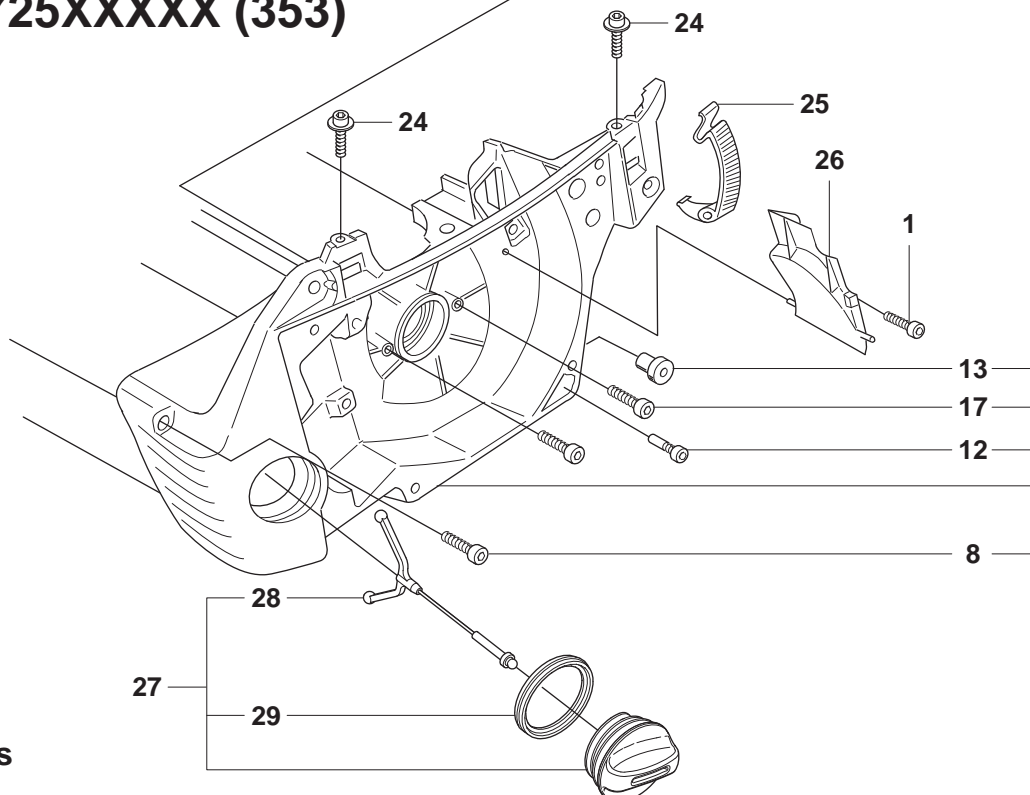
Pos.	Compl No.	Part No.	Quantity	Notes
1		503 21 74-32	6	mt5x32
2		503 21 75-20	3	mt5x20
3		503 21 71-16	2	
4		503 87 54-01	2	
5		537 02 40-01	1	NYLON 80my Black
5		537 02 40-02	1	NYLON 44my Yellow
5		537 02 40-03	1	FELT White
6		503 86 94-01	1	

S

346XP(New edition)/353



Up to 0719XXXXX (346XP)
Up to 0725XXXXX (353)



Ⓐ 503 94 28-02
Set of gaskets
Dichtungssatz
Jeu de joints
Juego de juntas
Packningssatz

Pos.	Compl No.	Part No.	Quantity	Notes
1		503 21 74-12	3	
2		503 87 56-01	1	
3		537 14 65-01	1	
4		503 86 93-01	2	
5		503 21 75-12	4	
6		503 89 66-03	1	
7		537 17 19-03	1	
8	537 17 19-03	503 20 07-76	3	
9	537 17 19-03	537 04 03-01	1	
10	537 17 19-03	721 12 07-30	1	
11	537 17 19-03	503 20 08-70	6	
12	537 17 19-03	503 21 51-01	2	
13	537 17 19-03	503 86 92-01	2	
14	537 17 19-03	503 90 56-01	1	
15	537 17 19-03	503 87 54-01	2	
16	537 17 19-03	503 90 56-01	1	
17	537 17 19-03	503 20 25-16	2	
18		503 43 65-01	1	
19		503 89 24-01	1	
20		503 93 04-01	1	
21		503 90 59-01	1	
22	537 07 12-01	537 07 12-01	1	
23		503 88 63-01	1	
24		503 21 39-01	3	
25		503 89 47-01	3	
26		503 88 86-01	1	
27		537 28 15-02	1	
28	537 28 15-02	503 57 89-01	1	
29	537 28 15-02	501 62 68-01	1	
A		503 94 28-02	1	Set of gaskets