

340, 345, 350 340 EPA, 345 EPA, 350 EPA

Spare parts

Ersatzteile

Pièces détachées

Reserve onderdelen

Repuestos

Reservdelar

Replaces

Ersetzt

Remplace

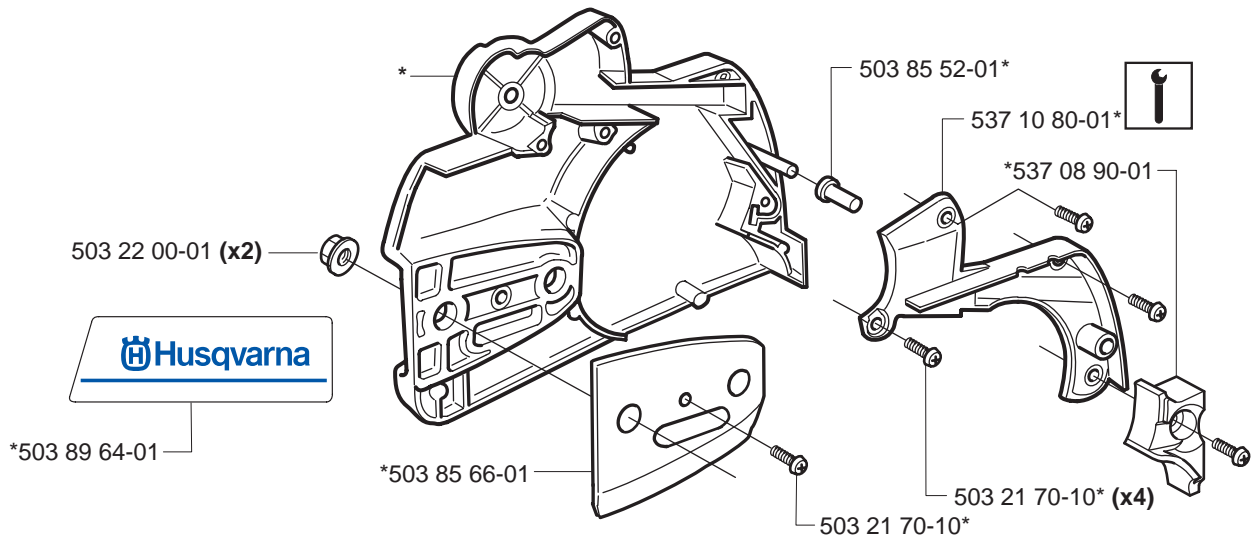
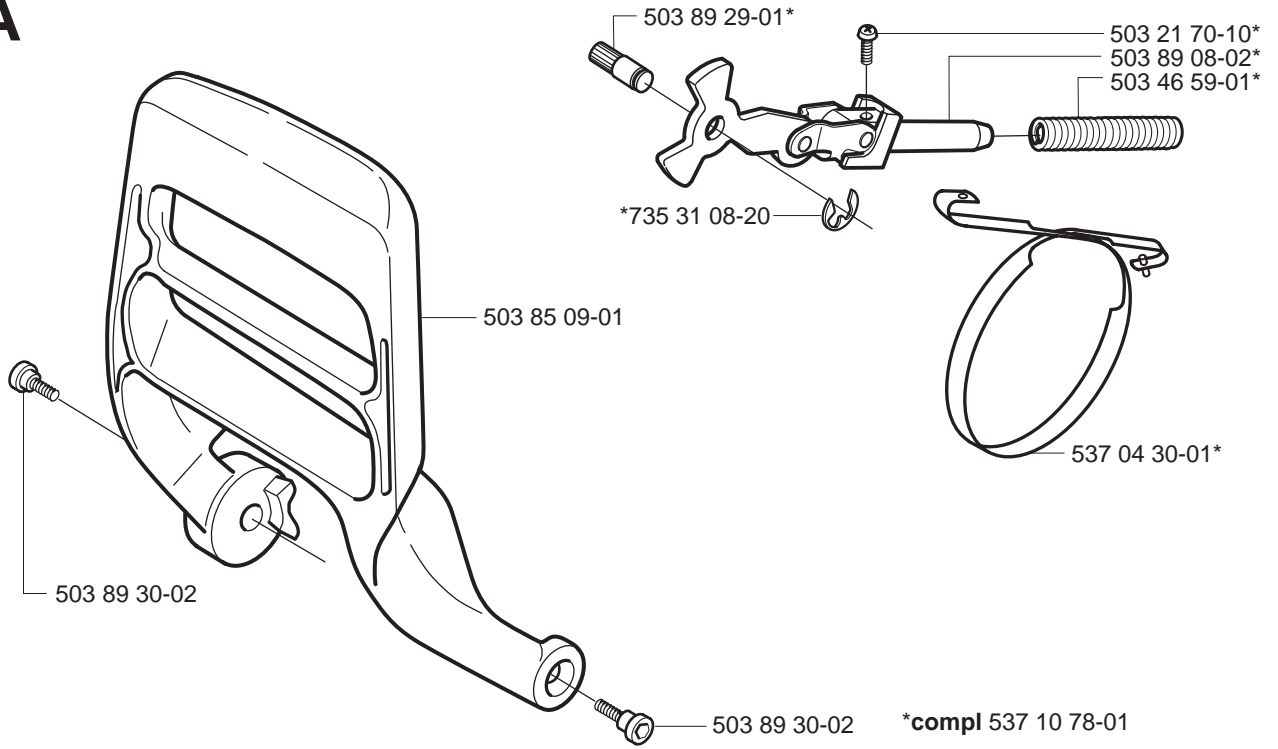
Vervangt

Reemplaza

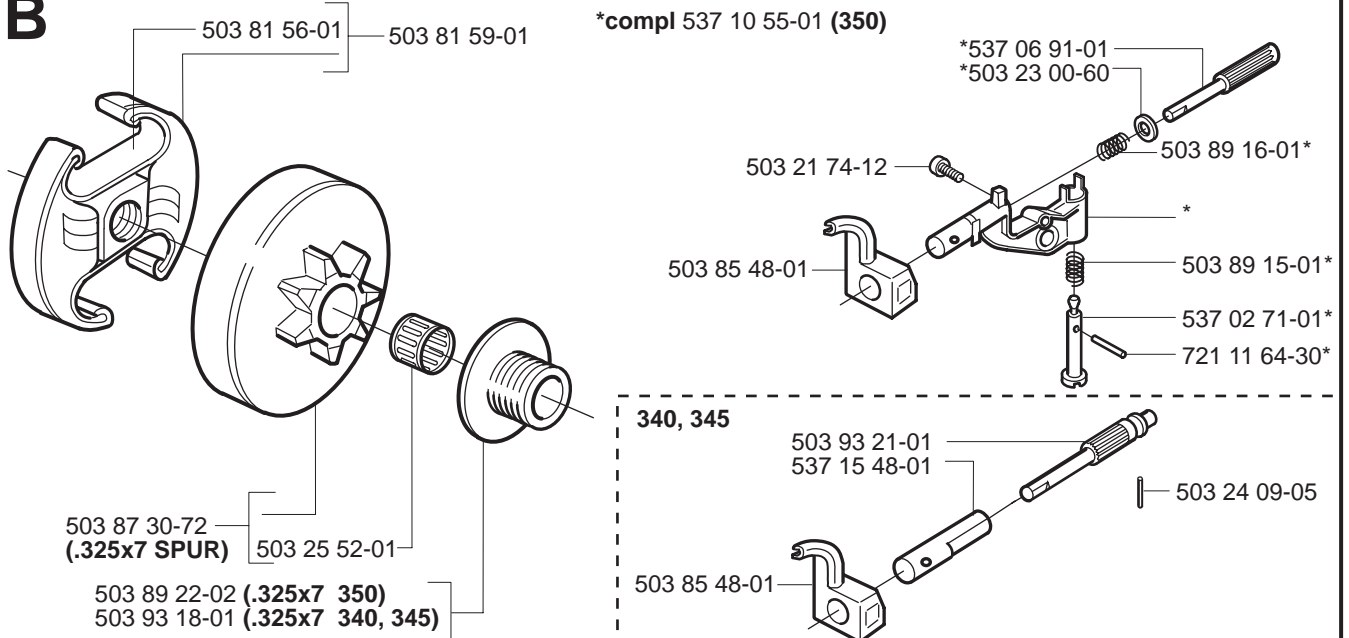
Ersätter

106 25 18-62, 106 24 56-62

A



B

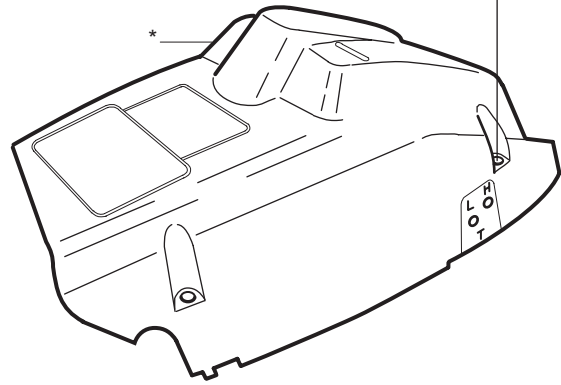


C *compl 503 91 05-01

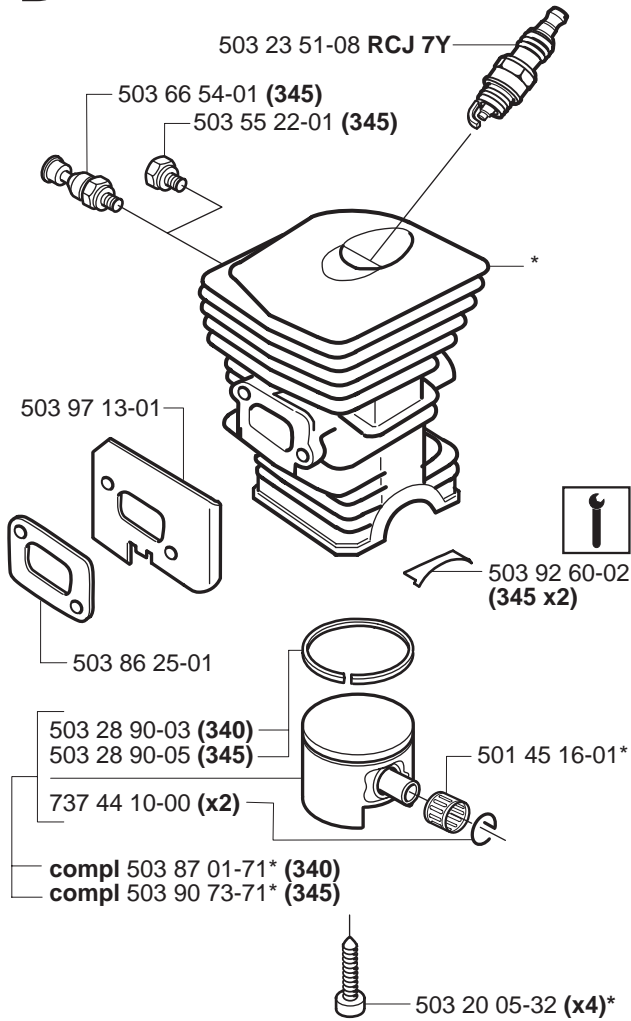
*503 98 74-01



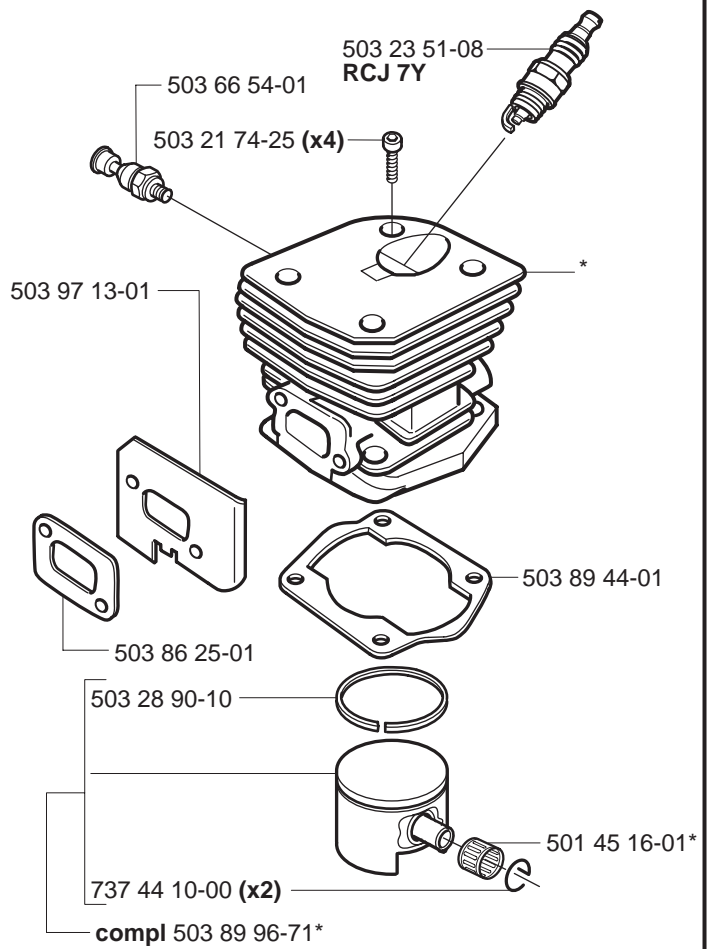
*503 20 34-25 (x3)



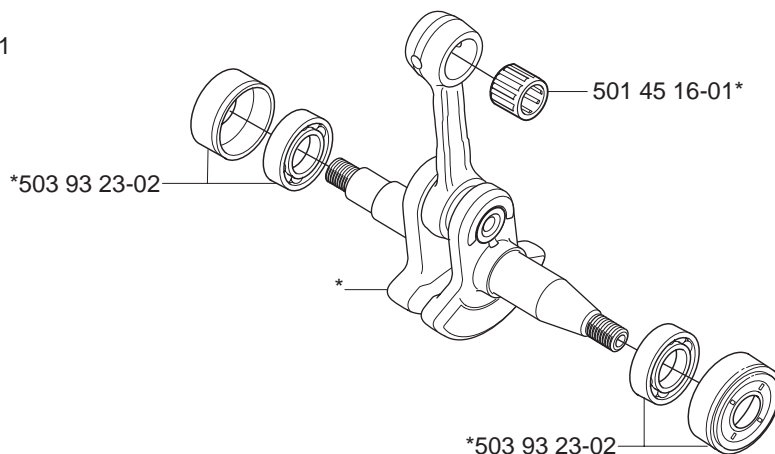
D *compl 503 87 00-73 (340)
*compl 503 87 02-74 (345)



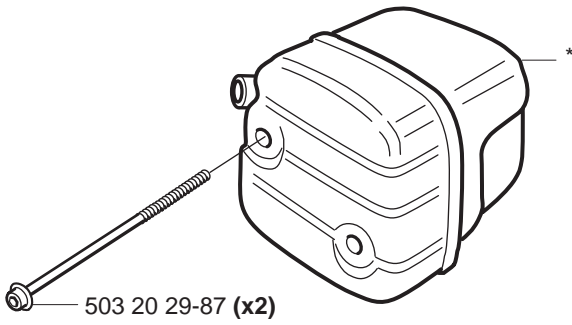
*compl 503 86 99-71 (350)



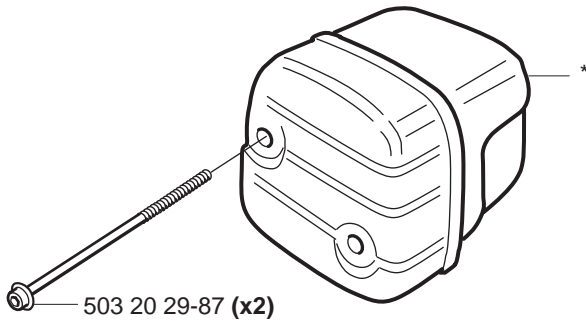
E *compl 503 85 80-71



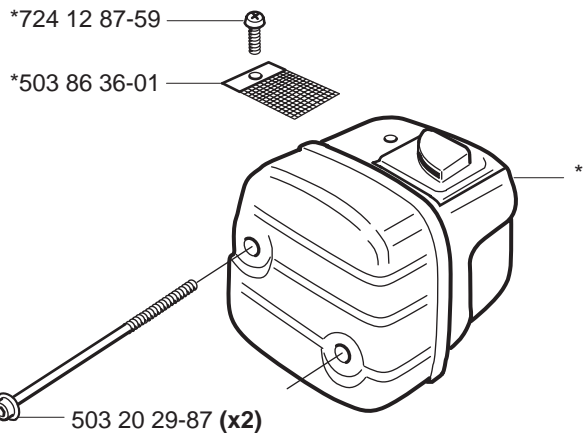
F *compl 503 86 27-02 (EU) 350



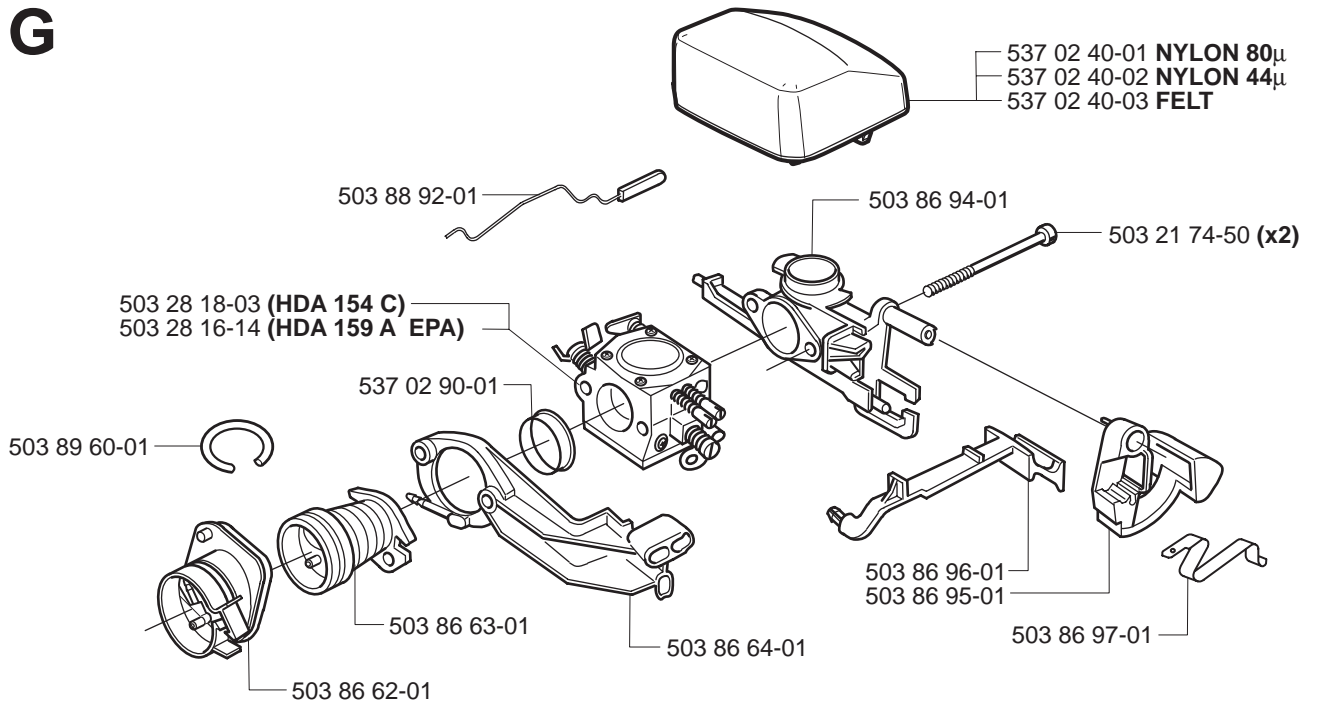
*compl 503 87 96-01 (FG) 340, 345

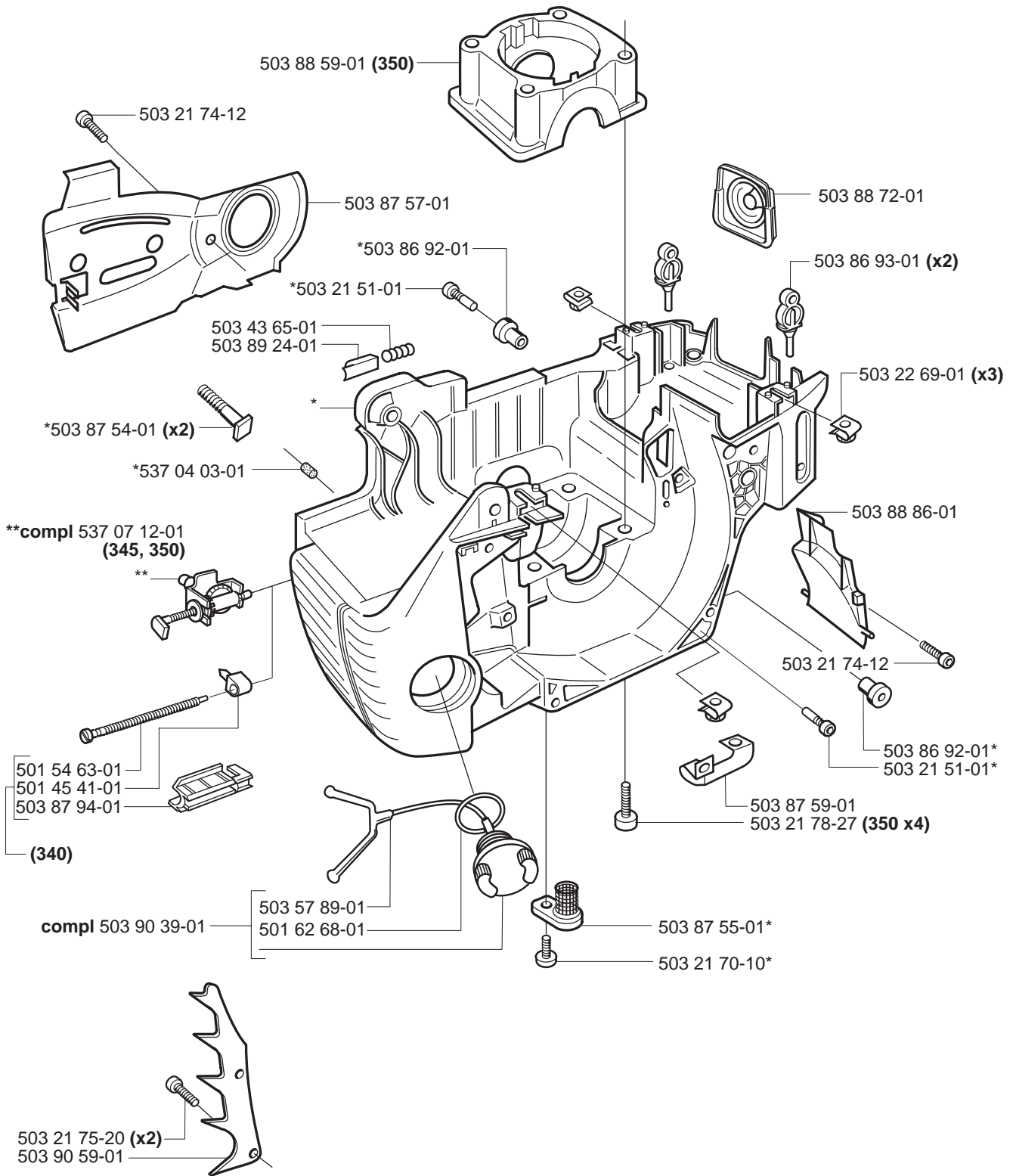


*compl 503 86 28-02 (DF) 340, 345, 350



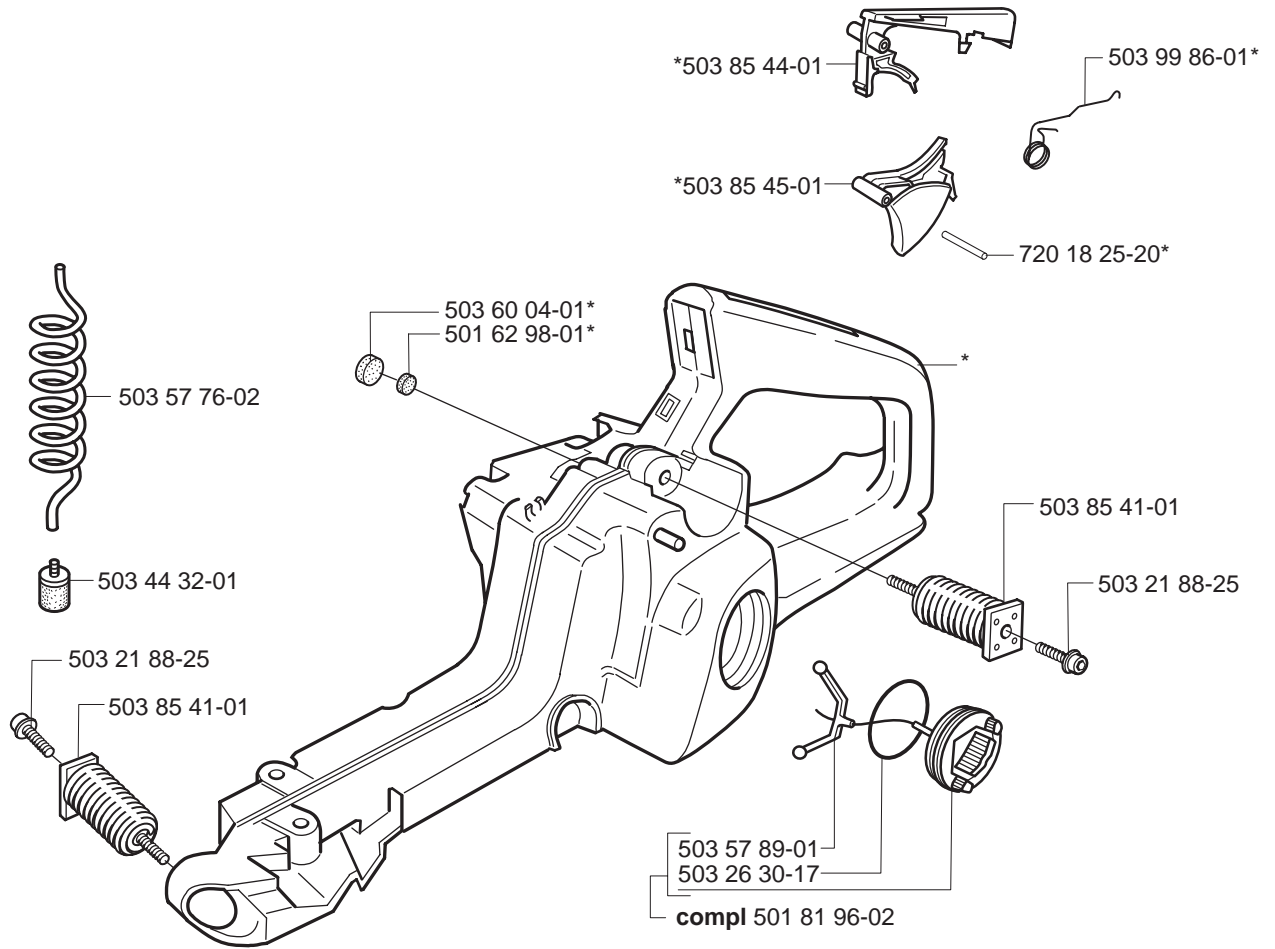
G





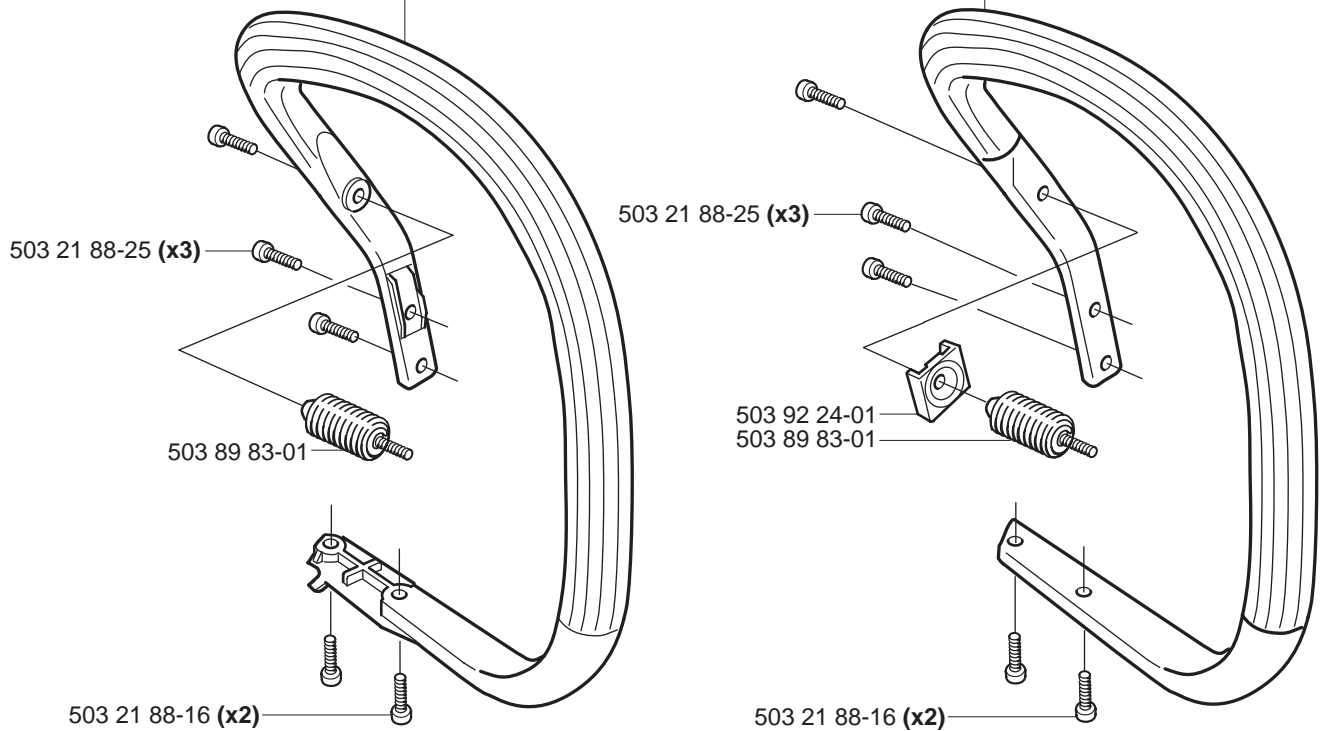
J

*compl 503 86 37-71

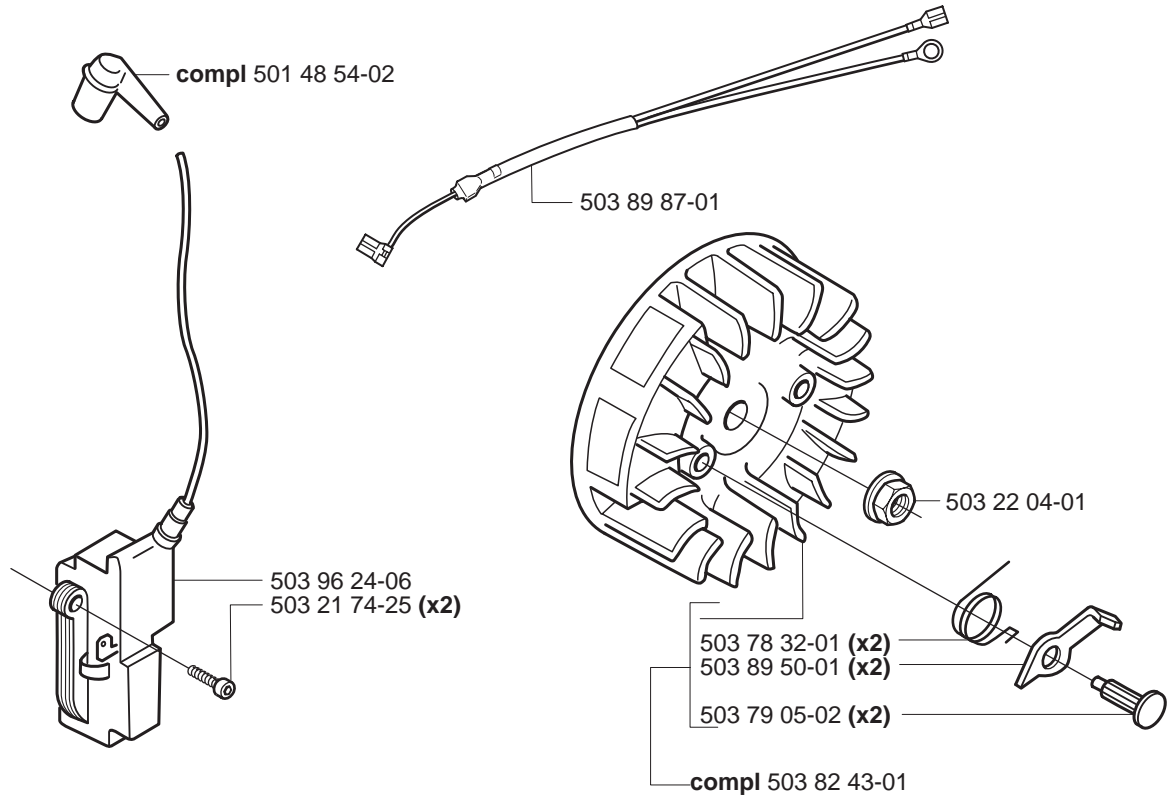
**K**

503 85 37-01 (340, 345)

503 90 93-01 (350)

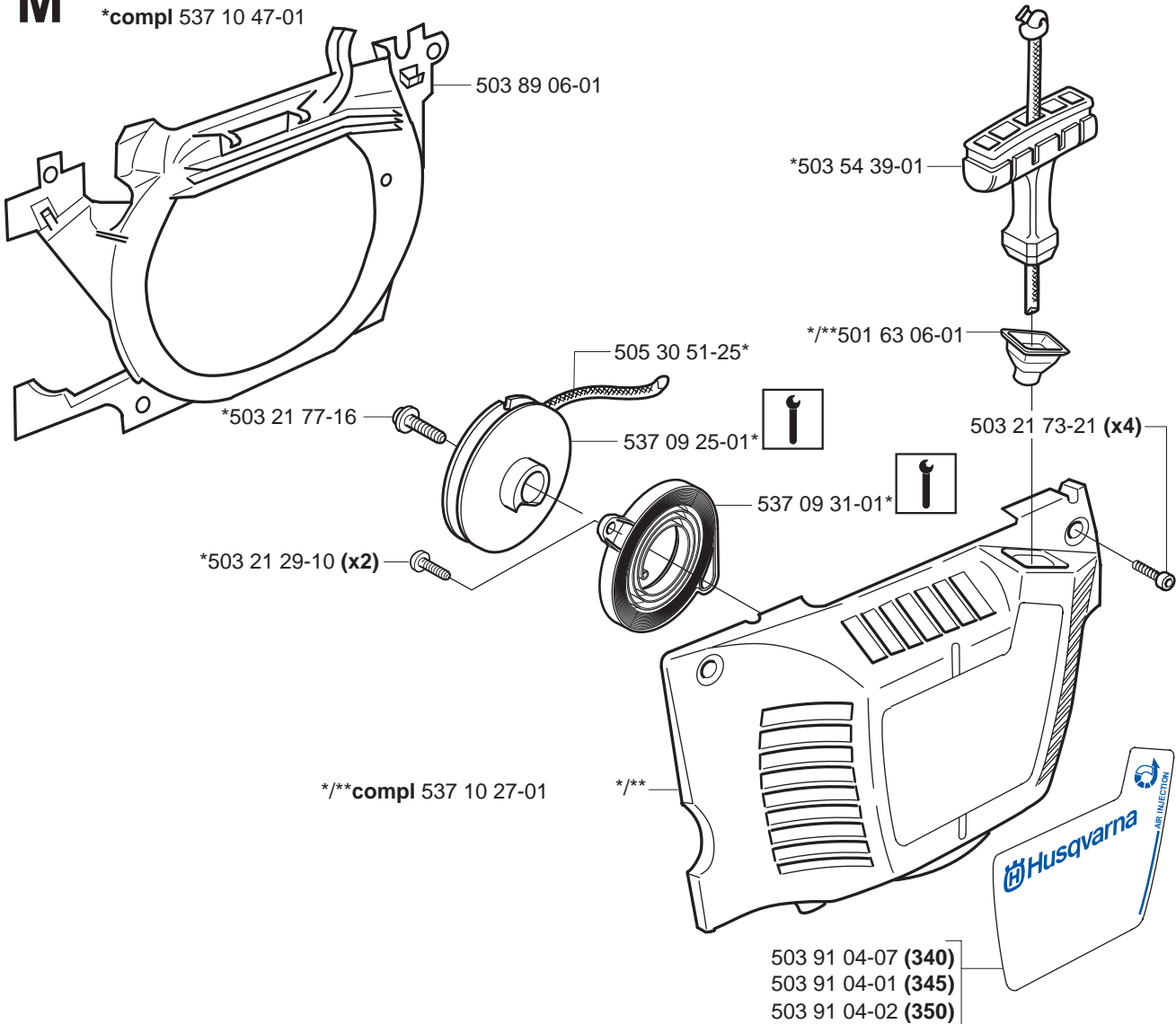


L

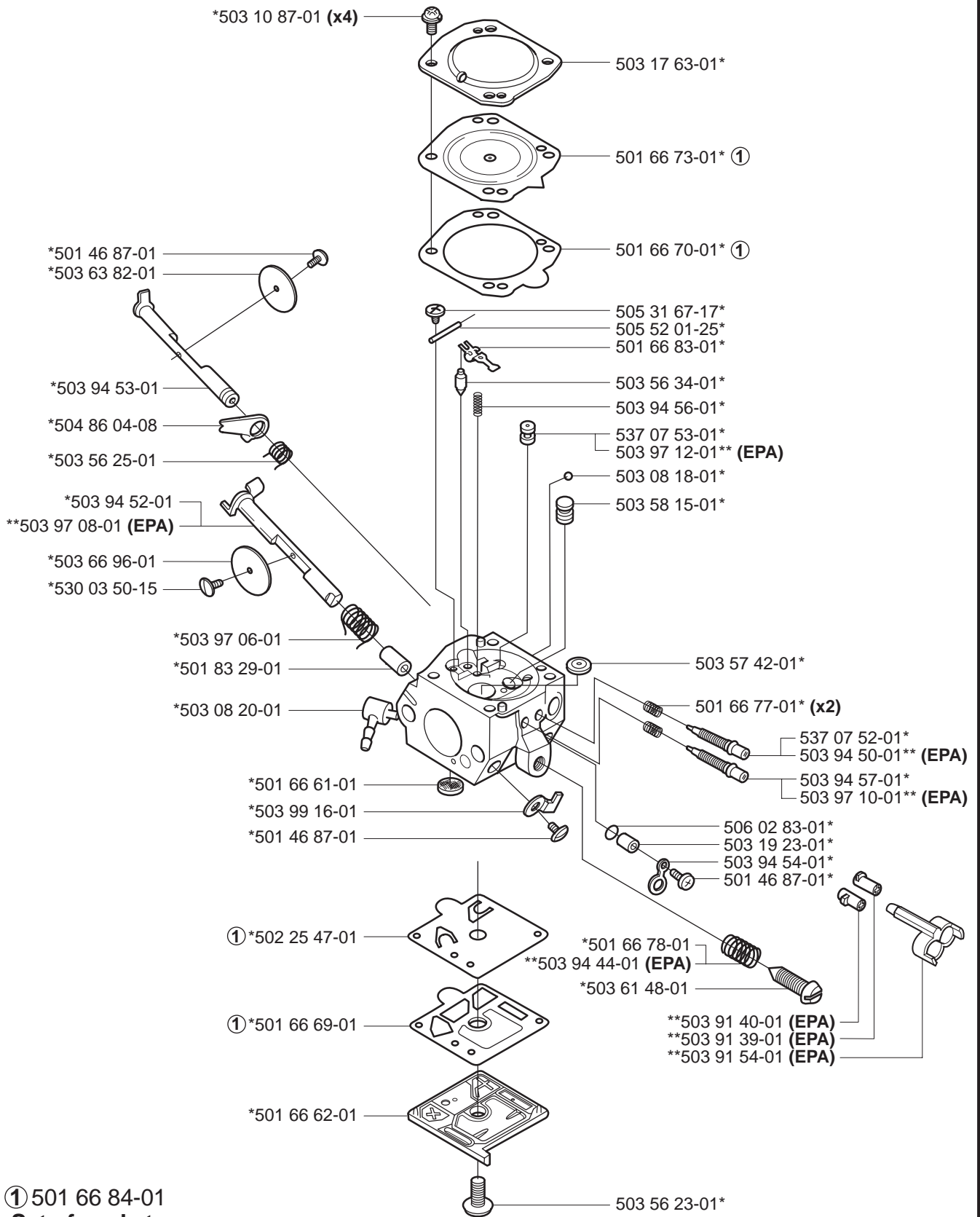


M

*compl 537 10 47-01

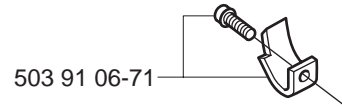
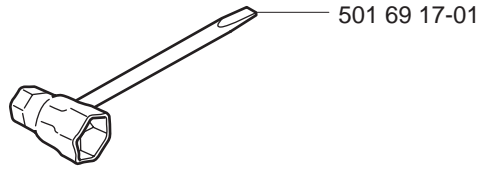


N *compl 503 28 18-03 Walbro HDA 154 C
 **compl 503 28 16-14 Walbro HDA 159 A (EPA)



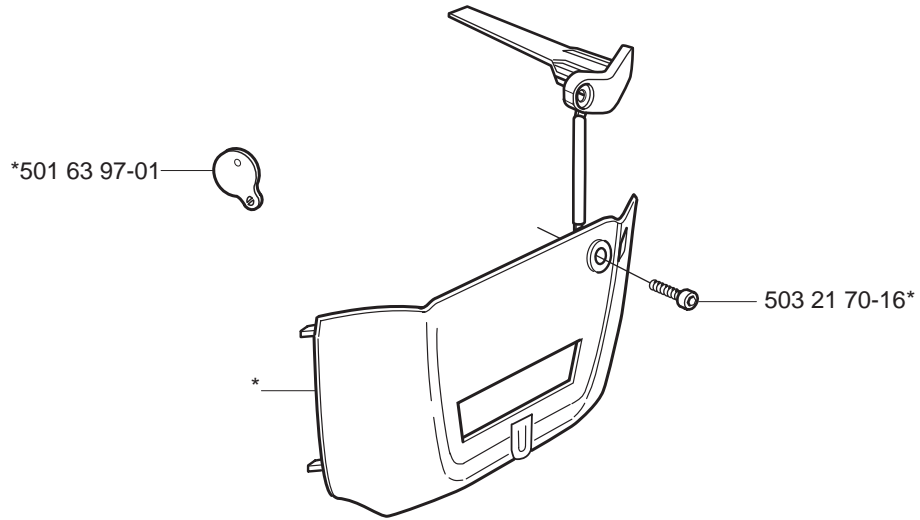
① 501 66 84-01
Set of gaskets
Dichtungssatz
Jeu de joints
Juego de juntas
Packningssats

P Tillbehör
Accessories
Zubehöre
Accessoires
Accesorios



Winter kit

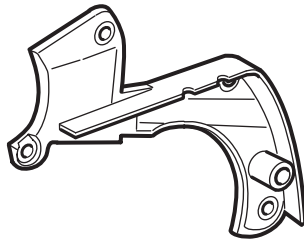
*compl 537 04 28-71



Q



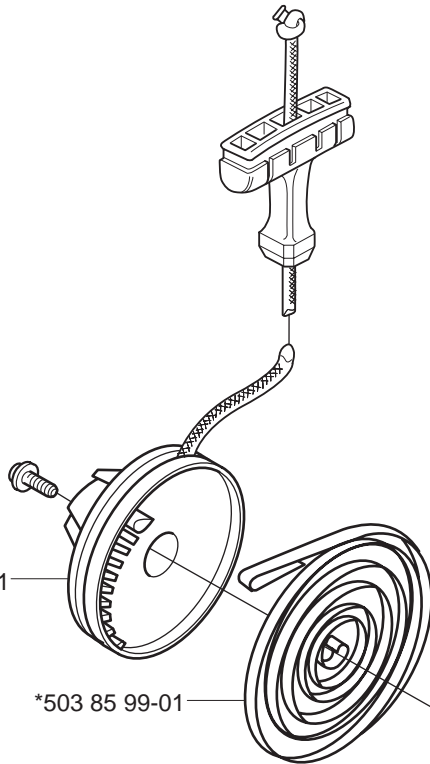
Up to 991499999 (1999)



503 89 07-02



Up to 010604200 (340) (2001)
Up to 010602850 (345) (2001)
Up to 010702450 (350) (2001)

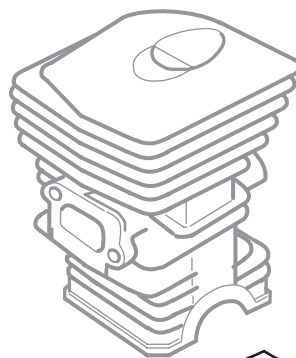


*503 87 63-01

*503 85 99-01



Up to 000601101 (345) (2000)



503 92 60-01 (x2)

MODEL 340, 345, 340 EPA, 345 EPA

PART NUMBER	SQUARE	NOTE	PART NUMBER	SQUARE	NOTE	PART NUMBER	SQUARE	NOTE	PART NUMBER	SQUARE	NOTE
501 45 16-01	D,E		503 63 82-01	N		503 91 04-07	M				
501 45 41-01	H		503 66 54-01	D	N	503 91 05-01	C				
501 46 87-01	N		503 66 96-01	N		503 91 06-71	P				
501 48 54-02	L		503 78 32-01	L		503 91 39-01	N	EPA			
501 54 63-01	H		503 79 05-02	L		503 91 40-01	N	EPA			
501 62 68-01	H		503 81 56-01	B	N	503 91 54-01	N	EPA			
501 62 98-01	J		503 81 59-01	B	N	503 92 24-01	K				
501 63 06-01	M	N	503 82 43-01	L		503 92 60-01	Q				
501 63 97-01	P		503 85 09-01	A		503 92 60-02	D	N			
501 66 61-01	N		503 85 37-01	K		503 93 18-01	B				
501 66 62-01	N		503 85 41-01	J		503 93 21-01	B				
501 66 69-01	N	1	503 85 44-01	J		503 93 23-02	E	N			
501 66 70-01	N	1	503 85 45-01	J		503 94 44-01	N	EPA			
501 66 73-01	N	1	503 85 48-01	B		503 94 50-01	N	EPA			
501 66 77-01	N		503 85 52-01	A		503 94 52-01	N				
501 66 78-01	N		503 85 66-01	A		503 94 53-01	N				
501 66 83-01	N	N	503 85 80-71	E		503 94 54-01	N				
501 66 84-01	N	1=compl	503 85 99-01	Q		503 94 56-01	N				
501 69 17-01	P		503 86 25-01	D		503 94 57-01	N				
501 81 96-02	J		503 86 27-02	F		503 96 24-06	L	N			
501 83 29-01	N		503 86 28-02	F		503 97 06-01	N				
502 25 47-01	N	1	503 86 36-01	F		503 97 08-01	N	EPA			
503 08 18-01	N		503 86 37-71	J		503 97 10-01	N	EPA			
503 08 20-01	N		503 86 62-01	G		503 97 12-01	N	EPA			
503 10 87-01	N		503 86 63-01	G		503 97 13-01	D				
503 17 63-01	N		503 86 64-01	G		503 98 74-01	C				
503 19 23-01	N		503 86 92-01	H		503 99 16-01	N				
503 20 05-32	D		503 86 93-01	H		503 99 86-01	J				
503 20 29-87	F		503 86 94-01	G		504 86 04-08	N				
503 20 34-25	C		503 86 95-01	G		505 30 51-25	M				
503 21 29-10	M	N	503 86 96-01	G		505 31 67-17	N				
503 21 51-01	H		503 86 97-01	G		505 52 01-25	N				
503 21 70-10	A,H		503 86 99-71	D		506 02 83-01	N				
503 21 70-16	P		503 87 00-73	D	N	530 03 50-15	N				
503 21 73-21	M		503 87 01-71	D		537 02 40-01	G	N			
503 21 74-12	B,H		503 87 02-74	D		537 02 40-02	G	N			
503 21 74-25	D,L		503 87 30-72	B	N	537 02 40-03	G	N			
503 21 74-50	G		503 87 54-01	H		537 02 71-01	B				
503 21 75-20	H		503 87 55-01	H		537 02 90-01	G				
503 21 77-16	M		503 87 57-01	H		537 04 03-01	H				
503 21 78-27	H		503 87 59-01	H		537 04 28-71	P				
503 21 88-16	K		503 87 63-01	Q		537 04 30-01	A				
503 21 88-25	J,K		503 87 94-01	H		537 06 91-01	B	N			
503 22 00-01	A		503 87 96-01	F		537 07 12-01	H	N			
503 22 04-01	L	N	503 88 59-01	H		537 07 52-01	N				
503 22 69-01	H		503 88 72-01	H		537 07 53-01	N				
503 23 00-60	B		503 88 86-01	H		537 08 90-01	A	N			
503 23 51-08	D		503 88 92-01	G		537 09 25-01	M	N			
503 24 09-05	B		503 89 06-01	M		537 09 31-01	M	N			
503 25 52-01	B		503 89 07-02	Q		537 10 27-01	M	N			
503 26 30-17	J		503 89 08-02	A	N	537 10 47-01	M	N			
503 28 16-14	G,N	EPA	503 89 15-01	B		537 10 55-01	B	N			
503 28 18-03	G,N		503 89 16-01	B		537 10 78-01	A	N			
503 28 90-03	D		503 89 22-02	B	N	537 10 80-01	A	N			
503 28 90-05	D		503 89 24-01	H		537 15 48-01	B	N			
503 28 90-10	D		503 89 29-01	A		537 17 20-01	H	N			
503 43 65-01	H		503 89 30-02	A	N	720 18 25-20	J	N			
503 44 32-01	J		503 89 44-01	D		721 11 64-30	B				
503 46 59-01	A		503 89 50-01	L		724 12 87-59	F				
503 54 39-01	M		503 89 60-01	G		735 31 08-20	A				
503 55 22-01	D	N	503 89 64-01	A		737 44 10-00	D				
503 56 23-01	N		503 89 83-01	K							
503 56 25-01	N		503 89 87-01	L							
503 56 34-01	N		503 89 96-71	D							
503 57 42-01	N		503 90 39-01	H							
503 57 76-02	J		503 90 59-01	H							
503 57 89-01	J,H		503 90 73-71	D							
503 58 15-01	N		503 90 93-01	K							
503 60 04-01	J		503 91 04-01	M							
503 61 48-01	N		503 91 04-02	M							

1 = 501 66 84-01

Set of gaskets, Dichtungssatz,
Jeu de joints, Juego de juntas,
Packningssats

N = New part, Neues teil,
Nouvelle piece, Nueva pieza
Ny detalj

EPA = Environmental Protection Agency
(for USA only)