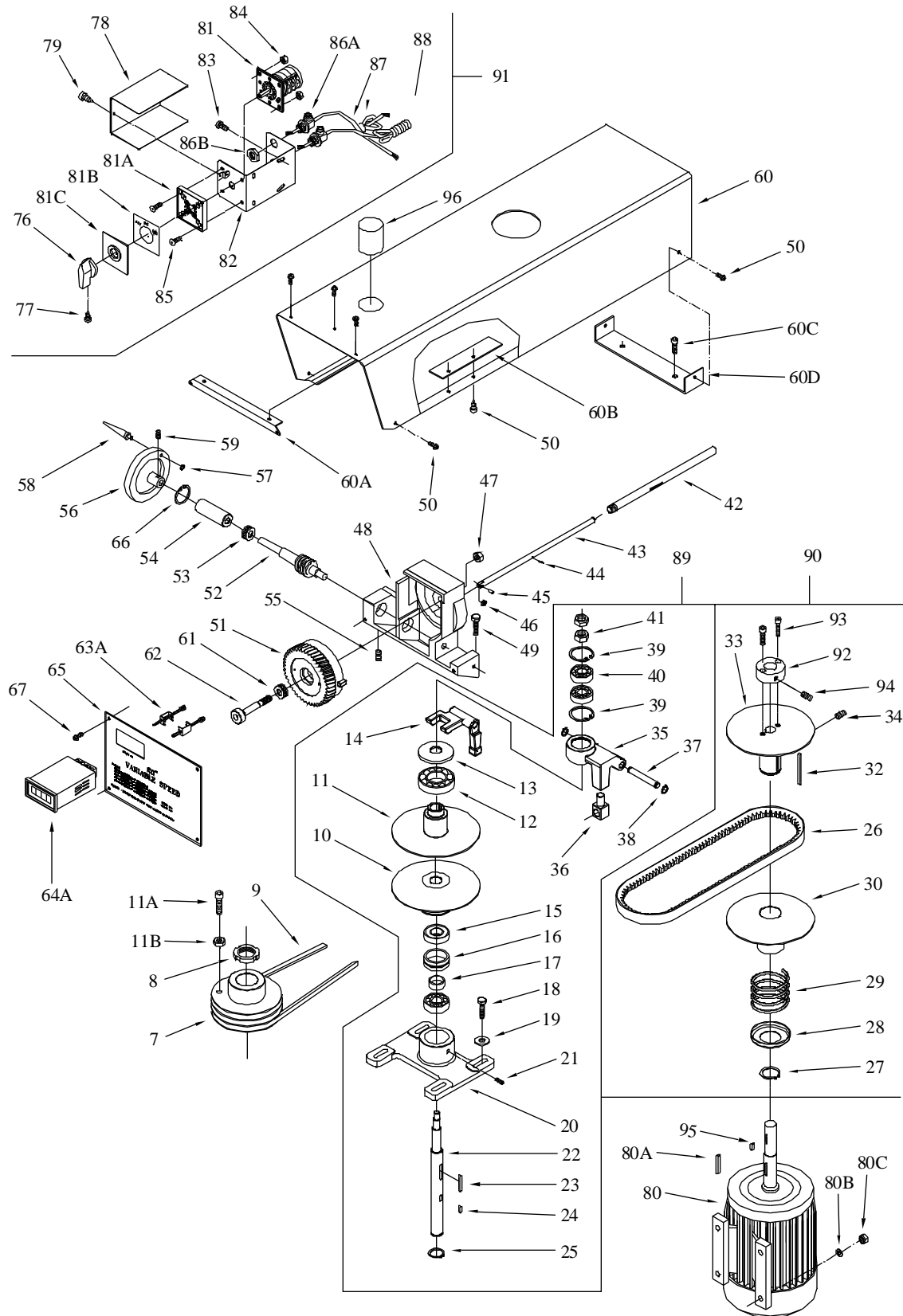


Drill Head – Manual Speed Control (J-2221VS and J-2223VS)

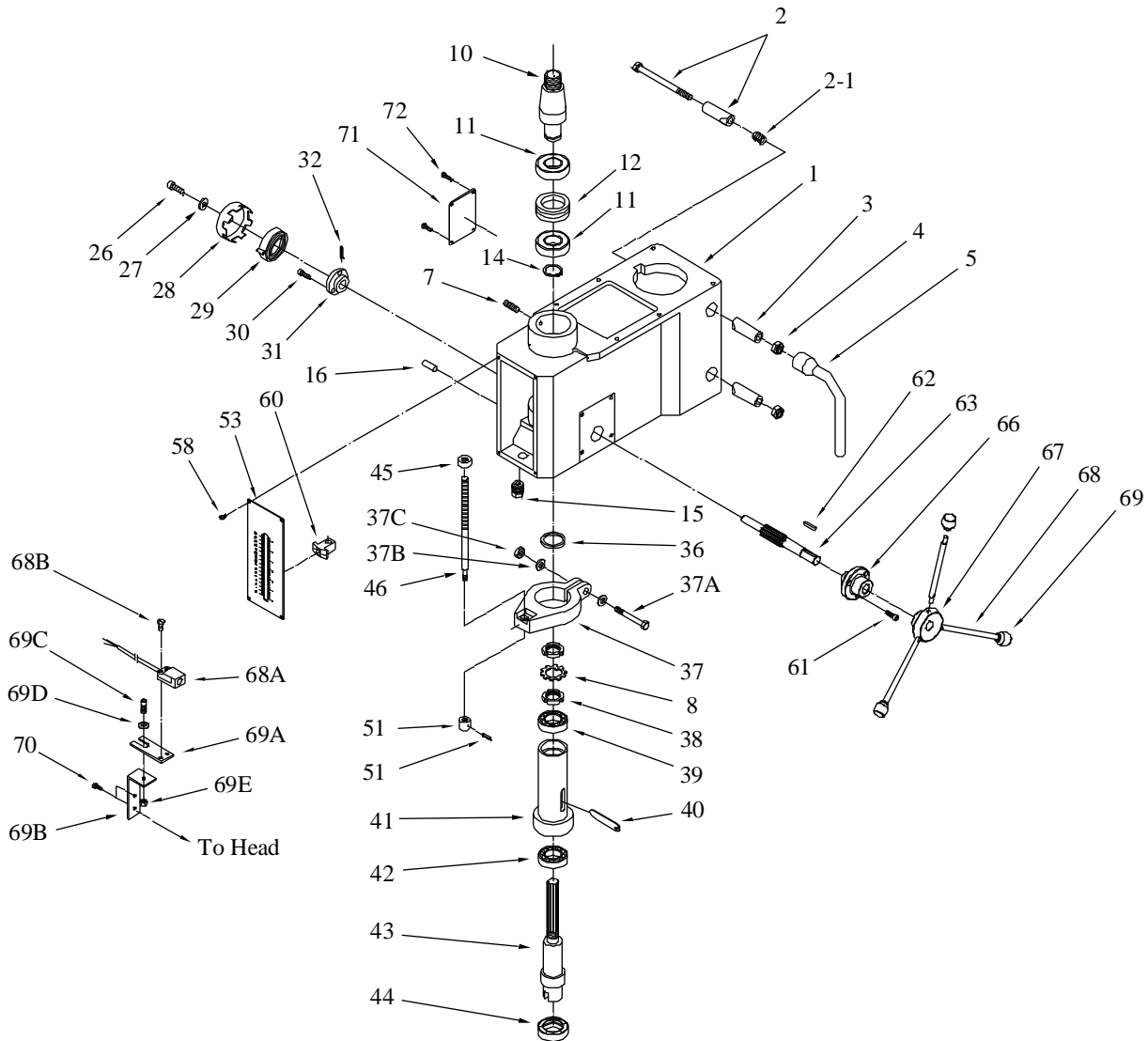


Parts List: Drill Head – Manual Speed Control (J-2221VS and J-2223VS)

Index No.	Part No.	Description	Size	Qty
7	5510077	Spindle Step Pulley		1
8	5510078	Spindle Nut		1
9	5510079	V-Belt		1
10	5510080	VS Lower Spindle Pulley		1
11	5510081	VS Upper Spindle Pulley		1
11A	5513673	Cap Screw		1
11B	5513674	Hex Nut		4
12	5510082	Ball Bearing		1
13	5510083	Bearing Cover		1
14	5510084	Speed Change Lever		1
15	5510085	Ball Bearing		2
16	5510086	Bushing		1
17	5510087	Bushing		1
18	5510088	Hex Bolt		4
19	5510089	Washer		4
20	5510090	Bearing Housing		1
21	5510091	Set Screw		1
22	5510092	Spindle Mid Shaft		1
23	5510093	Key		1
24	5510094	Key		1
25	5510095	C-Ring (Shaft)		1
26	5510096	Variable Speed Belt		1
27	5510097	C-Ring (Shaft)		2
28	5510098	Spring Cover		1
29	5510099	Spring		1
30	5510100	VS Lower Motor Pulley		1
32	5510102	Key		1
33	5510103	VS Upper Motor Pulley		1
34	5510104	Set Screw		1
35	5510105	Speed Change Bracket		1
36	5510106	Link		1
37	5510107	Shaft		1
38	5510108	C-Ring (Shaft)		1
39	5510109	C-Ring (Hole)		1
40	5510110	Ball Bearing		2
41	5510111	Nut		2
42	5512114	Control Rod Sleeve		1
43	5512115	Control Rod		1
44	5510114	Pin Spring		1
45	5510115	Pin		1
46	5510116	Roller		1
47	5510117	Hex Nut		1
48	5512116	Housing		1
49	5513675	Cap Screw	M8x35	2
50	5513676	Pan Head Screw		6
51	5510121	Helix Gear		1
52	5510122	Worm Gear		1
53	5510123	Thrust Bearing		1
54	5510124	Bushing		1
55	5513677	Set Screw		1
56	5510126	Hand Wheel (includes #58)		1
57	5510127	Retaining Ring		1
58	5510126	Hand Grip		1
59	5510129	Set Screw		1
60	J-5513678	Pulley Cover Assembly (incl 60A,60B,60C,60D)		1
60A	J-5513679	Nameplate Bracket		1

Index No.	Part No.	Description	Size	Qty
60B	J-5513680	Cover Plate		1
60C	5513681	Cap Screw		2
60D	J-5513682	Plate Bracket		1
61	5510131	Thrust Bearing		1
62	5510132	Shaft		1
63A	5513683	Cap Screw		2
64A	5513519	LED Display	115/230	1
	5513736	LED Display	220/440	1
65	5513690	Face Plate		1
66	5513685	C-Ring (Hole)		1
67	5510137	Round Head Screw		4
76	5511848	Knob		1
77	5514634	Set Screw	M3x8	1
78	5511849	Cover		1
79	5513354	Screw		2
80	J-5510344	Motor	2HP 1PH 115/220V	1
	5510345	Motor	2HP 3PH 220/440V	1
80A	5517320	Square Key		1
80B	5517321	Flat Washer		4
80C	5517322	Hex Nut		4
81	5517323	Fwd/Rev Switch	1 Phase	1
	5517331	Fwd/Rev Switch	3 Phase	1
81A	5517324	Switch Plate		1
81B	5517325	Label		1
81C	5517326	Label Cover		1
82	5513356	Switch Box		1
83	5513357	Screw		2
84	5513358	Hex Nut		4
85	5513359	Screw		4
86A	5517327	Strain Relief		2
86B	5517328	Hex Nut		2
87	5517329	Connection Cord		1
88	5517330	Power Cord		1
89	5513935	VS Spindle Pulley Assembly		1
90	5513934	VS Motor Pulley Assembly		1
91	5513355	Switch Assembly (includes items 76-79,81-85)	1 Phase	1
	5514716	Switch Assembly (includes items 76-79,81-85)	3 Phase	1
92	2221VS-92	Bushing		1
93	TS-1503041	Socket Head Cap Screw	M6 x 16	2
94	TS-1524021	Set Screw	M8 x 10	1
95	2221VS-95	Key	5 x 20 mm	1
96	5515285	Spindle Cap		1

Spindle Components (All Models)

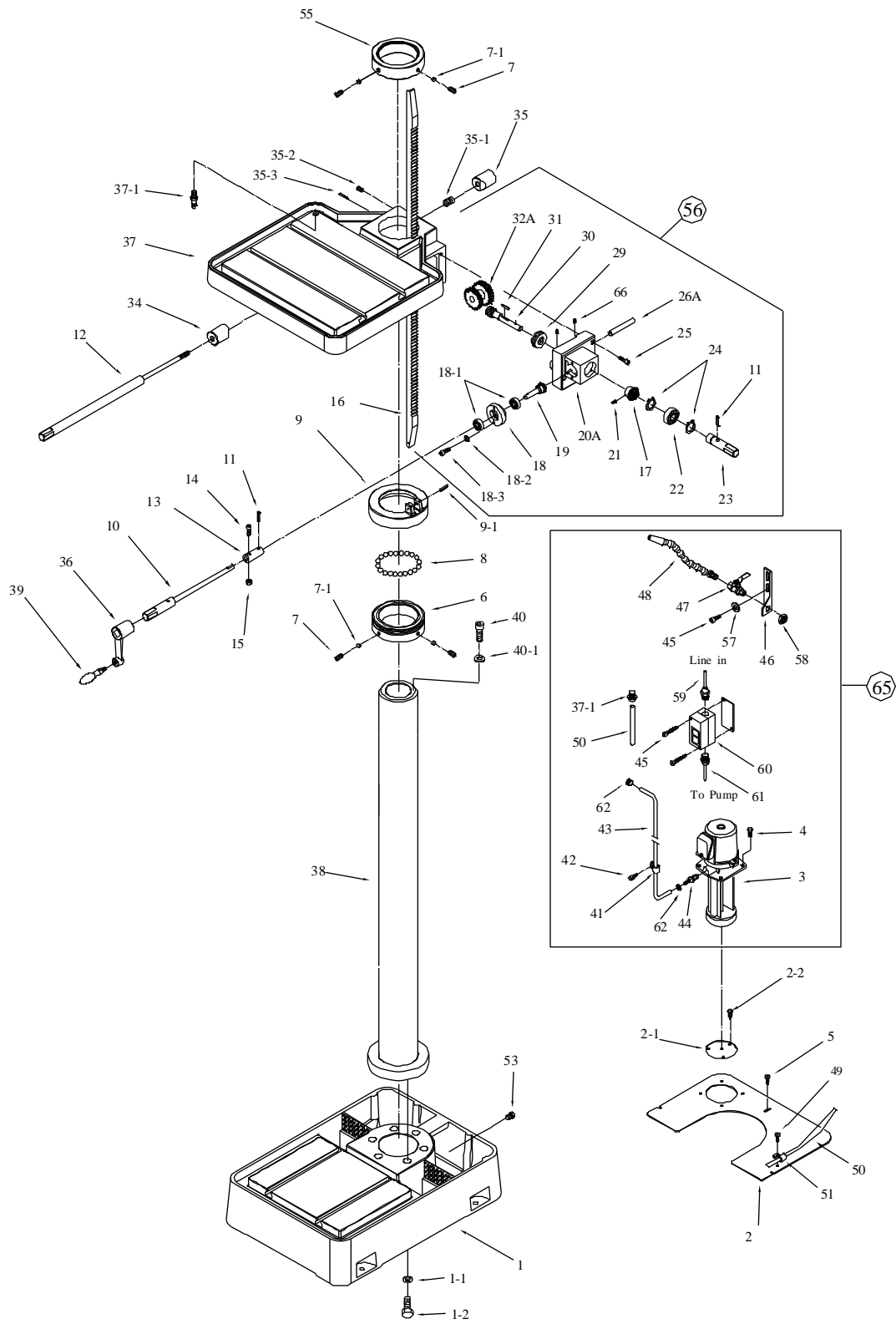


Parts List: Spindle Components (All Models)

Index No.	Part No.	Description	Size	Qty
1.....	J-5517332.....	Head Casting		1
2.....	5517376.....	Hex Shoulder Bolt.....		2
2-1.....	5517377.....	Spring		2
3.....	5517378.....	Cam Lock Rod.....		2
4.....	5510250.....	Hex Nut.....		2
5.....	5510251.....	Hex Head Wrench		1
7.....	5510252.....	Set Screw		1
8.....	5517379.....	External Tooth Washer		1
10.....	5510253.....	Spindle		1
11.....	5510254.....	Ball Bearing.....		2
12.....	5510255.....	Spacer		1
14.....	5510256.....	C-Ring		1
15.....	5510258.....	Set Screw		1
16.....	5510259.....	Roll Pin.....		1

Index No.	Part No.	Description	Size	Qty
26	5510261	Socket Head Screw		1
27	5510262	Washer		1
28	5510263	Container (includes #29)		1
29	5510263	Return Spring		1
30	5510265	Socket Head Screw		3
31	5510266	Spring Seat		1
32	5510267	Spring Pin		1
36	5513770	Rubber Washer		1
37	J-5513771	Quill Band		1
37A	5517380	Hex Shoulder Bolt		1
37B	5517381	Flat Washer		2
37C	5517382	Hex Nut		1
38	5513772	Lock Nut		2
39	5513773	Ball Bearing		1
40	5513774	Drift Pin		1
41	5510268	Quill		1
42	5510269	Ball Bearing		1
43	5510270	Spindle		1
44	5510271	Oil Seal		1
45	5510272	Nut		1
46	5510273	Depth Rod		1
50	5510276	Retainer		1
51	5510277	Spring Pin		1
53	5510278	Depth Scale		1
58	5510279	Round Head Cap Screw		4
60	5510280	Key		1
61	5510281	Socket Head Screw		3
62	5510282	Key		1
63	5510283	Feed Shaft		1
66	5510284	Feed Shaft Seat		1
67	J-5510285	Hub		1
68	5510286	Spoke		3
68A	5513515	Magnetic Pickup		1
68B	5513687	Pan Head Screw		2
69	5510287	Knob		3
69A	5517383	Adjustable Plate		1
69B	5517384	Mag. Pickup Bracket		1
69C	5513689	Cap Screw		1
69D	5517385	Flat Washer		1
69E	5517386	Hex Nut		1
70	5517387	Screw		2
71	5511849	Cover		1
72	5513354	Screw		4

Table and Base (All Models)



Parts List: Table and Base (All Models)

Index No.	Part No.	Description	Size	Qty
1	J-5510288	Base		1
	J-5510288A	Base (serial no. 7090589 and higher for 2221/2223VS (serial no. 7100425 and higher for 2232/2234AC)		1
1-1	TS-0720111	Lock Washer	1/2"	6
1-2	TS-0070031	Hex Cap Screw	1/2" x 1-1/2"	6
2	J-5510289	Coolant Cover Plate		1
2-1	20EVS-C2-1	Small Cover		1
2-2	20EVS-C4	Screw w/Washer	1/4"	3
3	5510456	Coolant Pump	115V, 1P	1
	5512103	Coolant Pump	220/440V, 3P	1
4	5510291	Hex Bolt		4
5	5517388	Pan Head Screw		3
6	5510293	Ball Seat		1
	5510293A	Ball Seat (serial no. 7090589 and higher for 2221/2223VS (serial no. 7100425 and higher for 2232/2234AC)		1
7	5510294	Set Screw		4
7-1	5517389	Brass Block		4
8	5510295	Ball Bearing		1
9	J-5510296	Lock Ring		1
	J-5510296A	Lock Ring (serial no. 7090589 and higher for 2221/2223VS (serial no. 7100425 and higher for 2232/2234AC)		1
9-1	5517390	Pin		1
10	5516859	Table Raiser Shaft		1
11	5510298	Spring Pin		4
12	5516858	Table Clamp Shaft		1
13	5516860	Table Raiser Coupling		1
14	5510300	Socket Head Screw		1
15	5510301	Nut		1
16	5510302	Rack		1
17	5514663	Large Bevel Gear		1
18	5517391	Bearing Housing		1
18-1	5517392	Ball Bearing	6202ZZ	2
18-2	5517393	Washer		2
18-3	5510303	Cap Screw		2
19	5510304	Small Bevel Gear		2
20	J-5510305	Bracket Cover		1
20A	J-5510305A	Bracket Cover (serial no. 10120276 and higher for J-2221/J-2223VS) (serial no. 11010102 and higher for J-2232AC/J-2234AC)		1
21	5510306	C-Ring		1
22	5510307	Ball Bearing		1
23	5510308	Shaft		1
24	5510309	C-Ring		2
25	5510310	Socket Head Screw		4
26	5510311	Shaft		1
26A	5510311A	Shaft (serial no. 10120276 and higher for J-2221/J-2223VS) (serial no. 11010102 and higher for J-2232AC/J-2234AC)		1
29	5510314	Bearing		1
30	5510315	Table Raise Worm		1
31	5510316	Key		1
32	5510317	Worm Gear		1
32A	5510317A	Worm Gear Assembly (serial no. 10120276 and higher for J-2221/J-2223VS) (serial no. 11010102 and higher for J-2232AC/J-2234AC)		1
34	5510319	Front Cam Lock		1
35	5510320	Rear Cam Lock		1
35-1	5517396	Spring		1
35-2	5517397	Cap Screw	M6x25	1
35-3	5517398	Pin	5x25	2

Index No.	Part No.	Description	Size	Qty
36	J-5510321	Table Raise Crank		2
37	J-5510322	Table		1
37-1	5517399	Hose Coupler (Return)	1/2"	1
38	5510323	Column		1
	5510323A	Column (serial no. 7090589 and higher for 2221/2223VS (serial no. 7100425 and higher for 2232/2234AC)		1
39	5510324	Table Raise Handle		1
40	5510325	Hex Head Screw		1
40-1	5510334	Washer		1
41	5510326	Clamp		1
42	5510327	Pan Head Screw		1
43	5510328	Clear Vinyl Hose	3/8"	1
44	5510329	Hose Coupler (Supply)	3/8"	1
45	5512112	Socket Head Cap Screw	#10-32 x 1"	4
46	5510331	Mounting Bracket		1
47	5510332	Valve		1
48	5510333	Flexible Nozzle		1
49	5517400	Pan Head Screw		1
50	5517401	Clear Vinyl Hose	1/2"	1
51	5517402	Hose Clamp		1
53	5517404	Drain Plug	3/8 NPT	1
55	J-5517406	Rack Collar		1
56	5513932	Table Raiser Assembly		1
57	9057451	Flat Washer	#10	2
58	5517488	Hex Nut	1/2"	1
59	5517489	Power Cord		1
60	5517490	Switch Assembly		1
61	5517491	Pump Cord	1 Phase	1
	5517492	Pump Cord	3 Phase	1
62	5517493	Hose Clamp, Rad. Type		2
65	5512104	Coolant System Complete	1/8 HP, 115/220V, 1 Phase	1
	5508071	Coolant System Complete	1/8 HP, 220/440V, 3 Phase	1
66	TS-1522021	Socket Set Screw	M5 x8	2
	J2221-SBCA	Support Bearing Collar Assembly (includes #6,7,7-1,8,9,9-1)		1

Wiring Diagram – Models J-2221VS and J-2223VS

