



Operating Instructions and Parts Manual 20" EVS Drill Press with Powerfeed

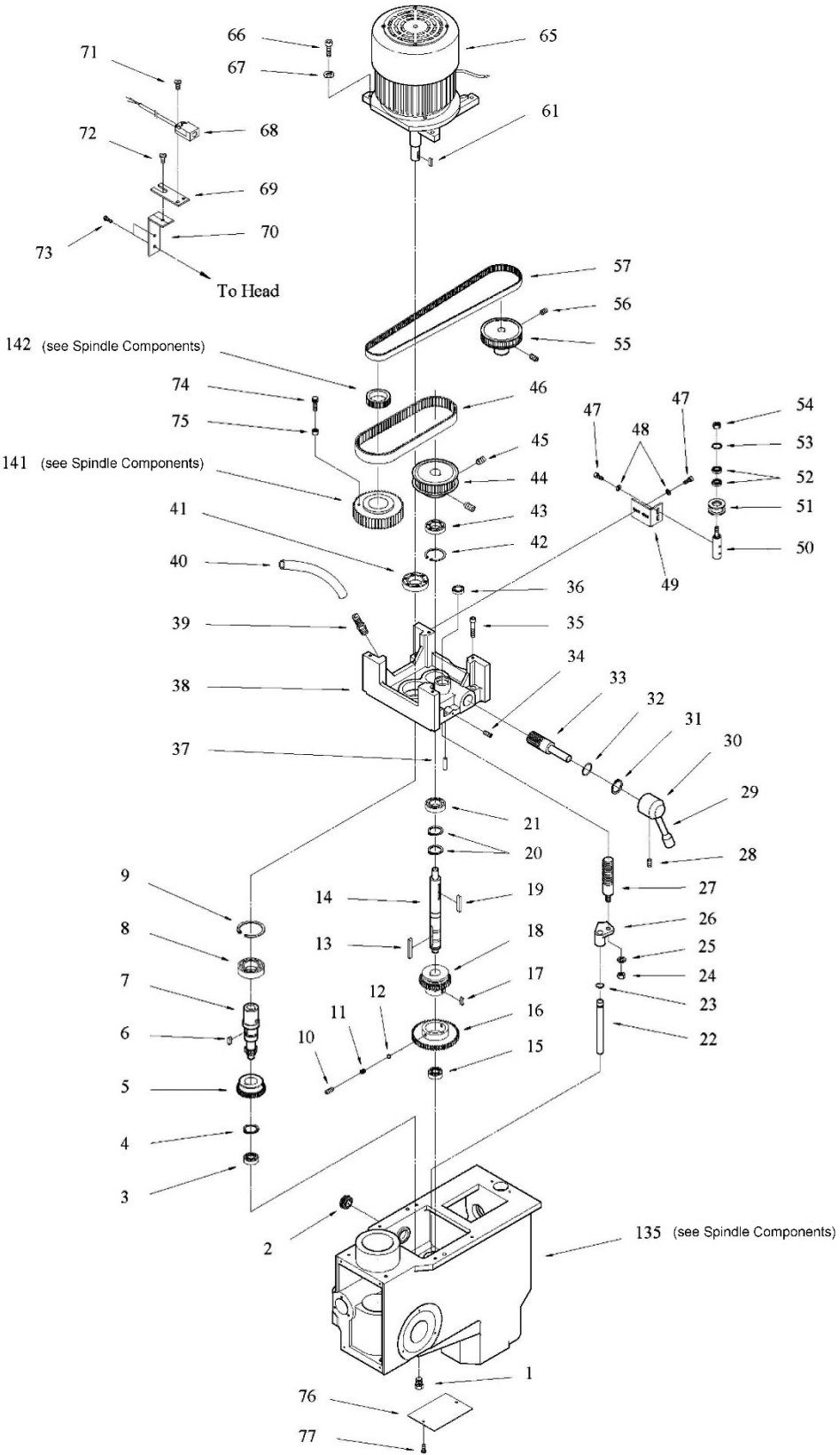
Models: JDP20EVST-230-PDF, -460-PDF



JET
427 New Sanford Road
LaVergne, Tennessee 37086
Ph.: 800-274-6848
www.jettools.com

Part No. M-354245
Edition 3 10/2018
Copyright © 2017 JET

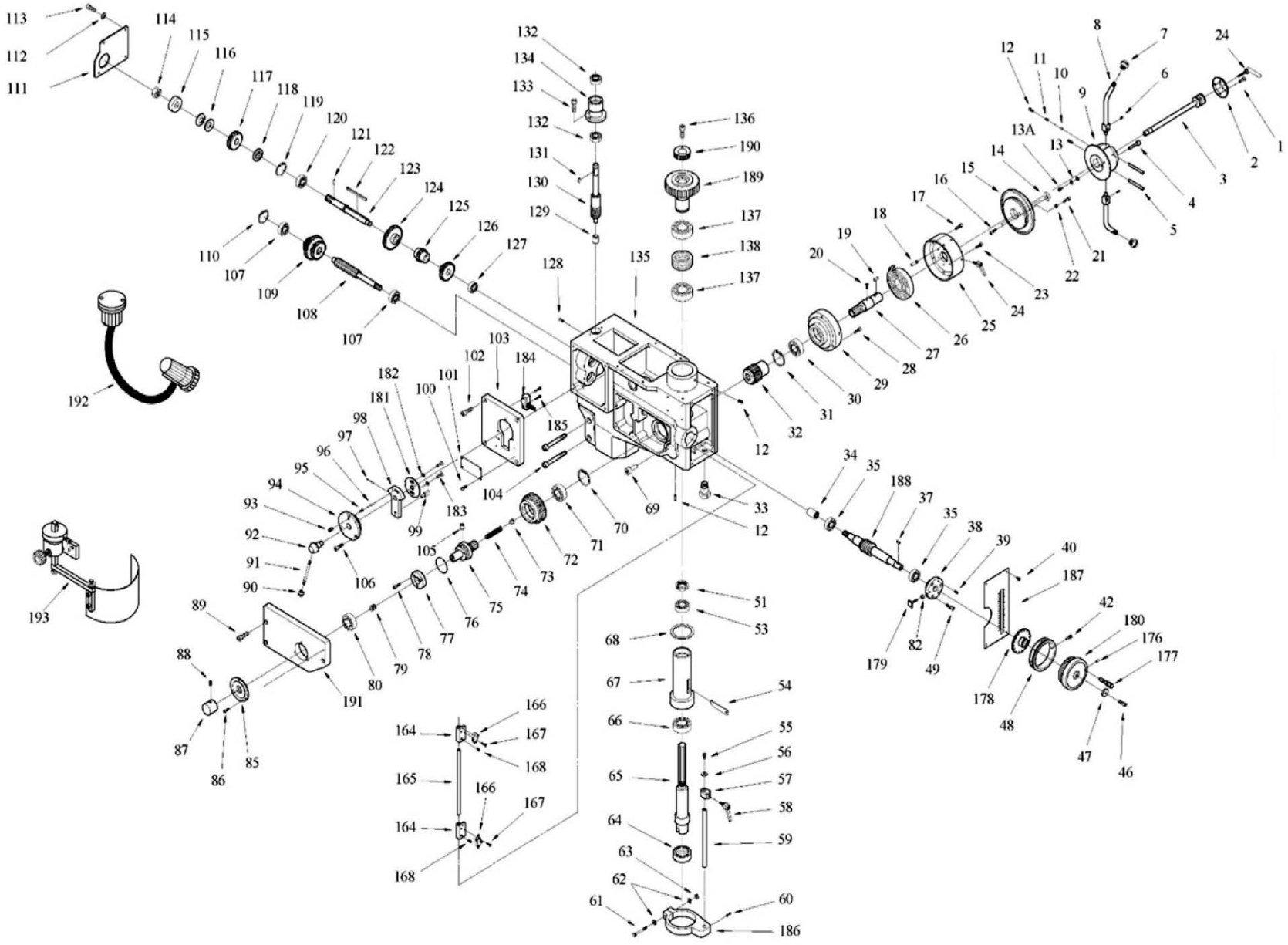
12.1.1 JDP20EVST-230/460-PDF Top Head Assembly – Exploded View



12.1.2 JDP20EVST-230/460-PDF Top Head Assembly – Parts List

Index No.	Part No.	Description	Size	Qty
1	JDP20EVSTPF-A01	Hex Head Plug	3/8"	1
2	5510142	Sight Glass		1
3	BB-6202ZZ	Ball Bearing	6202ZZ	1
4	20EVS-T04	C-Clip	S-31	1
5	5510145	Gear	M=2, T=32	1
6	5510146	Key	6x20 mm	1
7	5510147	Drive Shaft	M=2, T=13	1
8	BB-6007Z	Ball Bearing	6007Z	1
9	5510149	C-Clip	R-62	1
10	5510152	Set Screw	M10x10	2
11	5510155	Spring		2
12	SB-8MM	Steel Ball	8mm	2
13	5510160	Key	7x55 mm	1
14	5510161	Shaft		1
15	BB-6002Z	Ball Bearing	6002Z	1
16	5510153	Gear	M=2, T=56	1
17	5510159	Key	6x20 mm	1
18	5510158	Gear	M=2, T=36	1
19	5510162	Key	7x40 mm	1
20	5510163	C-Clip	S-25	2
21	BB-6005ZZ	Ball Bearing	6005ZZ	1
22	5510166	Rod		1
23	5517334	Oil Ring	P-11	1
24	5510167	Hex Nut	M10	1
25	5510168	Lock Washer	M10	1
26	5510169	Speed Change Block		1
27	5510170	Screw Bar		1
28	5510171	Set Screw	3/8"x3/8"	1
29	5517335	Handle		1
30	5517335-1	Speed Lever		1
31	5517336	C-Clip	R-30	1
32	5510173	Oil Ring	30x17x7 mm	1
33	5510177	Gear Shaft		1
34	5510178	Set Screw	M6x8	1
35	5510182	Hex Socket Cap Screw	M8x35	4
36	5510183	Oil Seal	25x5 mm	1
37	5510165	Taper Pin	5x38 mm	2
38	5517339	Gear Box		1
39	5510180	Oil Filter	3/8"x3/8"	1
40	5517340	Tube		1
41	5510181	Oil Seal	62x35x10 mm	1
42	5517341	C-Clip	R-47	1
43	5510184	Oil Seal	47x25x8 mm	1
44	5510186	Drive Pulley	8Mx35T	1
45	5510185	Set Screw	M8x8	2
46	5517343	Drive Belt	8Mx720	1
47	TS-1503041	Hex Socket Cap Screw	M6x16	4
48	TS-1550041	Washer	M6	4
49	JDP20EVSTPF-A49	Bracket		1
50	JDP20EVSTPF-A50	Shaft		1
51	JDP20EVSTPF-A51	Ball Bushing		1
52	BB-608	Ball Bearing	608	2
53	TS-2361081	Spring Washer	M8	1
54	TS-1540061	Hex Nut	M8	1
55	JDP20EVSTPF-A55	Rear Pulley w/ Gear	5Mx60T	1
56	TS-1524011	Set Screw	M8x8	2
57	JDP20EVSTPF-A57	Follow Belt	M5x1100x14	1
61	5510192	Key	6x20 mm	1

Index No.	Part No.	Description	Size	Qty
65	J-5517349	Motor	2HP/230V/3PH	1
	J-5517350	Motor	2HP/460V/3PH	1
66	5510195	Hex Socket Cap Screw	M8x25	4
67	TS-2361081	Spring Washer	M8	4
68	5513515	Sensor		1
69	5517383	Sensor Support		1
70	5517384	Mag. Pickup Bracket		1
71	5513687	Pan Head Screw	M4x20	2
72	5513689	Cap Screw	M8x12	1
73	5517387	Screw	M5x10	2
74	5517338	Hex Socket Cap Screw	3/16"x1"	1
75	5517337	Hex Nut	3/16"	1
76	JDP20EVSTPF-A76	Cover		1
77	JDP20EVSTPF-A77	Screw	M5x6	2
	LM000246	ID/Warning Label, JDP-20EVST-230-PDF (not shown)		1
	LM000247	ID/Warning Label, JDP-20EVST-460-PDF (not shown)		1
	JET-113	JET Logo (not shown)	113x47mm	1



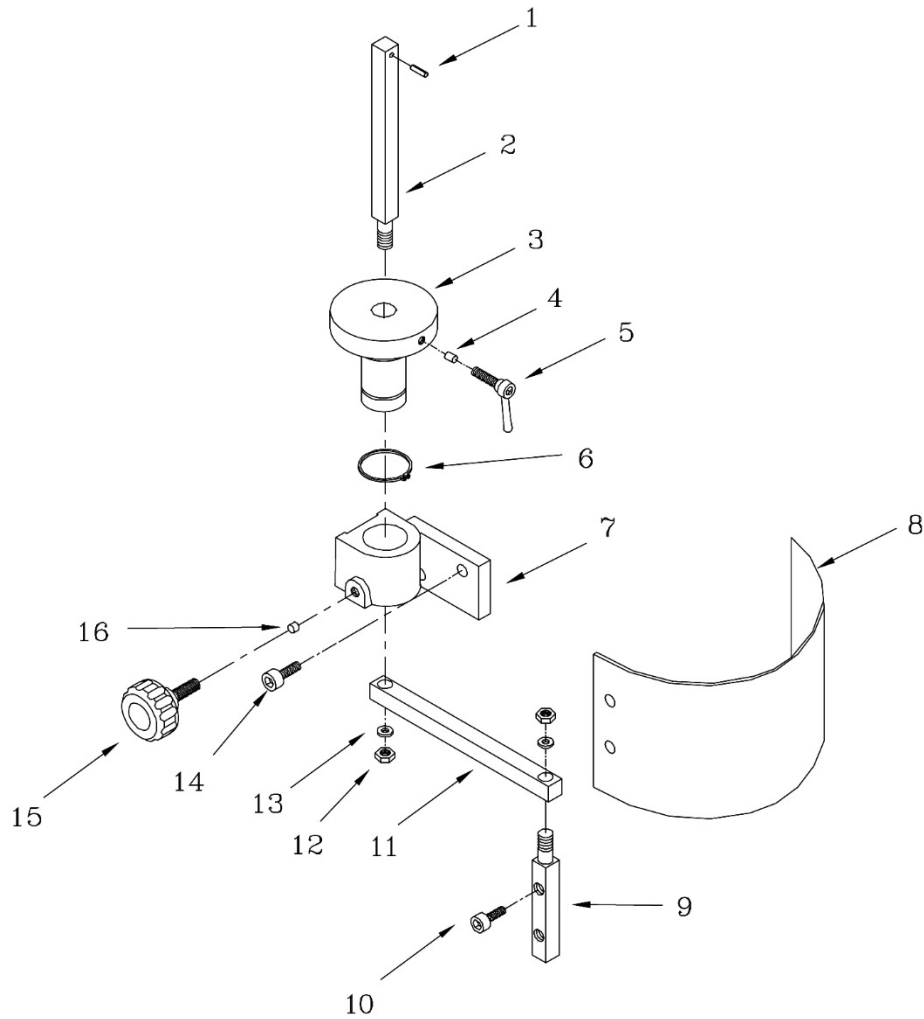
12.2.2 JDP20EVST-230/460-PDF Spindle Components – Parts List

Index No.	Part No.	Description	Size	Qty
1	TS-1514021	Socket Head Flat Screw	M6x16	4
2	JDP20EVSTPF-B02	Cover		1
3	JDP20EVSTPF-B03	Feed Clutch Rod		1
4	JDP20EVSTPF-B04	Pin		1
5	JDP20EVSTPF-B05	Roll Pin	8x70 mm	2
6	TS-1522011	Set Screw	M5x6	2
7	JDP20EVSTPF-B07	Grip		2
8	JDP20EVSTPF-B08	Feed Handle		2
9	JDP20EVSTPF-B09	Feed Handle Body		1
10	SB-1/4	Steel Ball	1/4"	1
11	JDP20EVSTPF-B11	Spring		1
12	TS-1524011	Set Screw	M8x8	1
13	TS-2361041	Spring Washer	M4	2
13A	TS-1501021	Socket Head Cap Screw	M4x8	1
14	JDP20EVSTPF-B14	Scale Guider		1
15	JDP20EVSTPF-B15	Scale Plate		1
16	TS-1501041	Socket Head Cap Screw	M4x12	2
17	TS-1503061	Socket Head Cap Screw	M6x25	3
18	JDP20EVSTPF-B18	Pin Screw	M8	1
19	5509112	Key	6x20 mm	1
20	F010946	Socket Head Flat Screw	M4x8	1
21	TS-1502021	Socket Head Cap Screw	M5x10	1
22	TS-1540031	Hex Nut	M5	1
23	TS-1501011	Socket Head Cap Screw	M4x5	1
24	JDP20EVSTPF-B24	Lever	M6x25	1
25	JDP20EVSTPF-B25	Spring Cap		1
26	JDP20EVSTPF-B26	Spring		1
27	JDP20EVSTPF-B27	Support Shaft		1
28	TS-1503071	Socket Head Cap Screw	M6x30	3
29	JDP20EVSTPF-B29	Spring Support		1
30	BB-6006ZZ	Ball Bearing	6006ZZ	1
31	JDP20EVSTPF-B31	C-Clip	R-30	1
32	JDP20EVSTPF-B32	Feed Shaft		1
33	JDP20EVSTPF-B33	Screw Bushing		1
34	JDP20EVSTPF-B34	Sleeve		1
35	BB-6004ZZ	Ball Bearing	6004ZZ	2
37	5301551	Key	5x15 m	1
38	JDP20EVSTPF-B38	Worm Shaft Support		1
39	TS-1523041	Set Screw	M6x12	3
40	TS-2245081	Socket Head Flat Screw	M5x6	4
42	JDP20EVSTPF-B42	Set Knob	1/4"	1
46	TS-1503041	Socket Head Cap Screw	M6x16	1
47	JDP20EVSTPF-B47	Special Washer		1
48	JDP20EVSTPF-B48	Scale Ring		1
49	TS-1503041	Socket Head Cap Screw	M6x16	3
51	JDP20EVSTPF-B51	Lock Nut		1
53	BB-30206	Tapered Roller Bearing	30206	1
54	JDP20EVSTPF-B54	Drill Shifter		1
55	TS-1503041	Socket Head Cap Screw	M6x16	1
56	TS-1550041	Washer	M6	1
57	JDP20EVSTPF-B57	Depth Scale Bracket		1
58	JDP20EVSTPF-B58	Lever	M6x25	1
59	JDP20EVSTPF-B59	Depth Rod		1
60	TS-2276081	Set Screw	M6x8	1
61	TS-0207101	Socket Head Cap Screw	1/4"-20x2"	1
62	TS-0720071	Spring Washer	1/4"	2
63	TS-0570011	Hex Nut	1/4"	1
64	OS724508	Oil Seal	72x45x8mm	1
65	JDP20EVSTPF-B65	Spindle		1

Index No.	Part No.	Description	Size	Qty
66	BB-32009ZZ	Tapered Roller Bearing	32009ZZ	1
67	JDP20EVSTPF-B67	Quill		1
68	JDP20EVSTPF-B68	Rubber Washer		1
69	JDP20EVSTPF-B69	Quill Support Pin		1
70	F006052	Ext. Retaining Ring	S-30	1
71	BB-6206ZZ	Ball Bearing	6206ZZ	1
72	JDP20EVSTPF-B72	Worm		1
73	JDP20EVSTPF-B73	Guide Plate		1
74	JDP20EVSTPF-B74	Spring		1
75	JDP20EVSTPF-B75	Jaw Clutch		1
76	JDP20EVSTPF-B76	Special Spring		1
77	JDP20EVSTPF-B77	Jaw Clutch Cover		1
78	TS-1514021	Socket Head Flat Screw	M6x16	3
79	JDP20EVSTPF-B79	Adjustable Screw		1
80	BB-6305ZZ	Ball Bearing	6305ZZ	1
82	TS-1541011	Hex Nut	M5	1
85	JDP20EVSTPF-B85	Cover		1
86	TS-1522041	Set Screw	M5x12	3
87	JDP20EVSTPF-B87	Cap		1
88	TS-1524011	Set Screw	M8x8	1
89	TS-1504041	Socket Head Cap Screw	M8x20	3
90	JDP20EVSTPF-B90	Grip		1
91	JDP20EVSTPF-B91	Speed Change Lever		1
92	JDP20EVSTPF-B92	Change Lever Body		1
93	TS-1524011	Set Screw	M8x8	1
94	JDP20EVSTPF-B94	Speed Change Bracket		1
95	JDP20EVSTPF-B95	Spring	M6x8	1
96	SB-8MM	Steel Ball	8mm	1
97	F012076	Roll Pin	5x30	1
98	JDP20EVSTPF-B98	Speed Change Support		1
99	JDP20EVSTPF-B99	Speed Change Pin		1
100	F010945	Socket Head Flat Screw	M4x6	4
101	JDP20EVSTPF-B101	Operating Lever Plate		1
102	TS-1504051	Socket Head Cap Screw	M8x25	4
103	JDP20EVSTPF-B103	Speed Change Cover		1
104	JDP20EVSTPF-B104	Hex Head Bolt	M12x80	2
105	JDP20EVSTPF-B105	Jaw		3
106	TS-1503041	Socket Head Cap Screw	M6x16	3
107	BB-6003ZZ	Ball Bearing	6003ZZ	2
108	JDP20EVSTPF-B108	Sliding Shaft		1
109	JDP20EVSTPF-B109	Speed Change Gear		1
110	F006054	Ext. Retaining Ring	R-35	1
111	JDP20EVSTPF-B111	Cover Plate		1
112	TS-2361061	Spring Washer	M6	4
113	TS-1503041	Socket Head Cap Screw	M6x16	4
114	TS-2311201	Hex Nut	M20	1
115	JDP20EVSTPF-B115	Spacer		1
116	JDP20EVSTPF-B116	Belleville Spring Washer		2
117	JDP20EVSTPF-B117	Worm		1
118	JDP20EVSTPF-B118	Spacer		1
119	JDP20EVSTPF-B119	C-Clip	R-42	1
120	BB-6004ZZ	Ball Bearing	6004ZZ	1
121	F012090	Roll Pin	5x18 mm	1
122	KEY0695	Key	6x95 mm	1
123	JDP20EVSTPF-B123	Shaft		1
124	JDP20EVSTPF-B124	Gear (L)		1
125	JDP20EVSTPF-B125	Intermediate Gear		1
126	JDP20EVSTPF-B126	Gear (S)		1
127	BB-6202ZZ	Ball Bearing	6202ZZ	1
128	TS-2276081	Set Screw	M6x8	1
129	JDP20EVSTPF-B129	Bushing		1
130	JDP20EVSTPF-B130	Rear Worm Gear		1

Index No.	Part No.	Description	Size	Qty
131	6293356	Key	6x20 mm	1
132	BB-6003ZZ	Ball Bearing	6003ZZ	2
133	TS-1504041	Socket Head Cap Screw	M8x20	2
134	JDP20EVSTPF-B134	Rear Worm Gear Bracket		1
135	JDP20EVSTPF-B135A	Head Casting Assembly (includes #191 and p/n 5517339)		1
136	TS-1503071	Socket Head Cap Screw	M6X30	3
137	BB-6009ZZ	Ball Bearing	6009ZZ	2
138	JDP20EVSTPF-B138	Bearing Spacer		1
164	JDP20EVSTPF-B164	Micro Switch Bracket		2
165	JDP20EVSTPF-B165	Micro Switch Support Rod		1
166	JDP20EVSTPF-B166	Micro Switch		2
167	F001160	Cross Pan Head Screw	M3x16	2
168	TS-0267021	Set Screw	1/4"-20x1/4"	2
176	JDP20EVSTPF-B176	Pin		1
177	JDP20EVSTPF-B177	Handwheel Handle		1
178	JDP20EVSTPF-B178	Pin Hole Plate		1
179	JDP20EVSTPF-B179	Pointer		1
180	JDP20EVSTPF-B180	Handwheel		1
181	JDP20EVSTPF-B181	Actuator Plate		1
182	TS-1550031	Flat Washer	M5	2
183	TS-1513011	Socket Head Flat Screw	M5x10	2
184	JDP20EVSTPF-B184	Limit Switch		1
185	TS-2244202	Socket Head Button Screw	M4x20	2
186	JDP20EVSTPF-B186	Feed Base		1
187	JDP20EVSTPF-B187	Depth Plate		1
188	JDP20EVSTPF-B188	Worm Shaft		1
189	JDP20EVSTPF-B189	Spindle pulley w/ Gear	8Mx48T	1
190	JDP20EVSTPF-B190	Gear	5Mx38T	1
191	JDP20EVSTPF-B191	Feed Cover		1
192	JDP20VST-WL	Work Light		1
193	32106A	Safety Shield		1

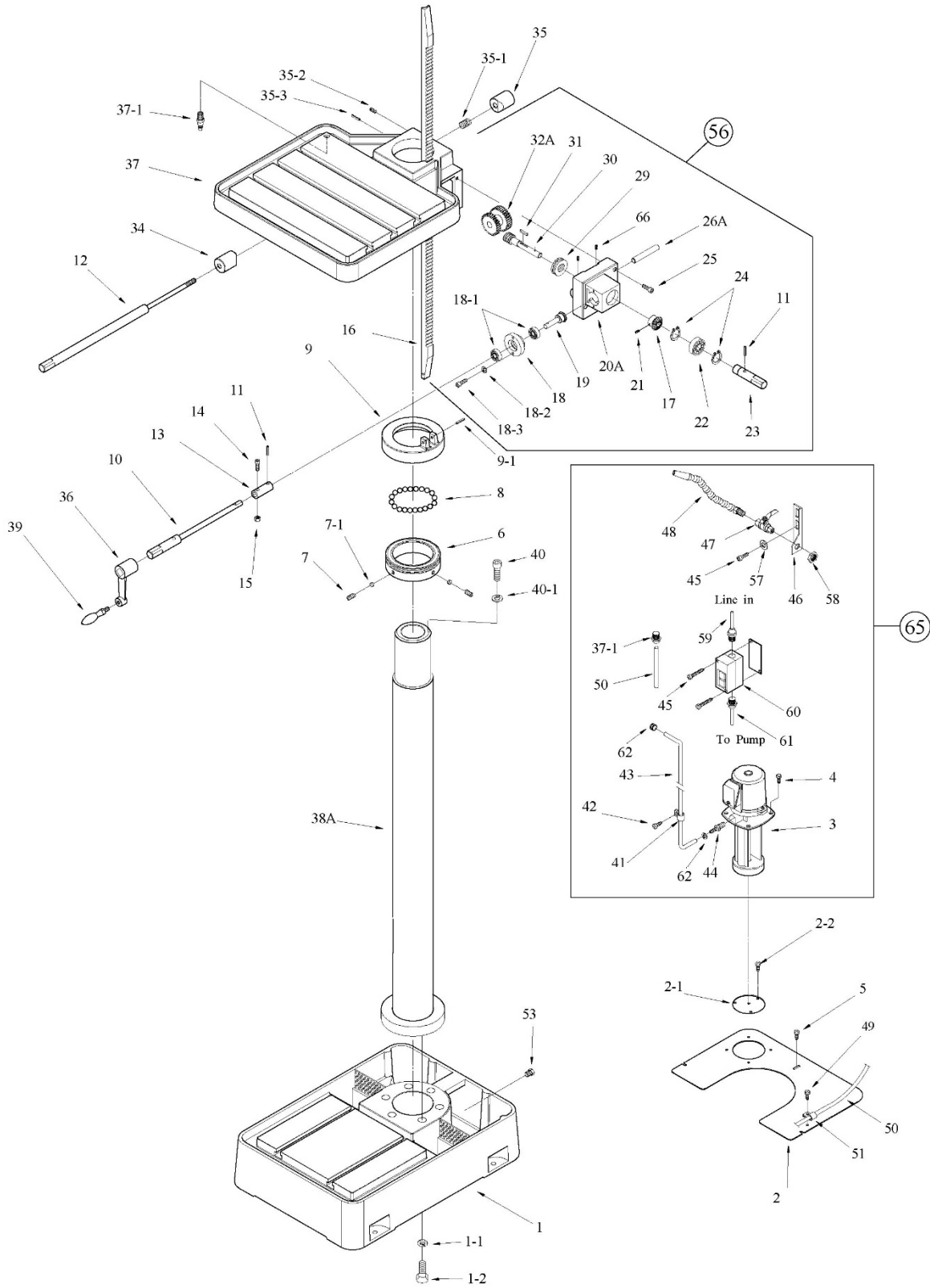
12.3.1 JDP20EVST-230/460-PDF Safety Shield Assembly – Exploded View



12.3.2 JDP20EVST-230/460-PDF Safety Shield Assembly – Parts List

Index No.	Part No.	Description	Size	Qty
.....	32106A.....	Safety Shield Assembly (includes #1 thru 16).....		1
1.....	6293347.....	Spring Pin.....	3x16.....	1
2.....	32106A-2.....	Support Bracket Bar.....		1
3.....	32106A-3.....	Bushing.....		1
4.....	32106A-4.....	Spacer.....		1
5.....	32106A-5.....	Lock Handle.....	M6x20.....	1
6.....	32106A-6.....	C-Clip.....	S30.....	1
7.....	32106A-7.....	Bracket.....		1
8.....	32106A-8.....	Safety Shield.....	530x210mm.....	1
9.....	32106A-9.....	Lower Bracket Bar.....		1
10.....	TS-1504021.....	Hex Socket Head Cap Screw.....	M8x12.....	1
11.....	32106A-11.....	Support Arm.....		1
12.....	TS-0640091.....	Hex Nut.....	3/8".....	1
13.....	TS-0720091.....	Spring Washer.....	3/8".....	1
14.....	TS-1504041.....	Hex Socket Head Cap Screw.....	M8x20.....	1
15.....	32106A-16.....	Lock Bolt with Knob.....	M8.....	1
16.....	32106A-17.....	Spacer.....		1

12.4.1 JDP20EVST-230/460-PDF Table and Base Assembly – Exploded View

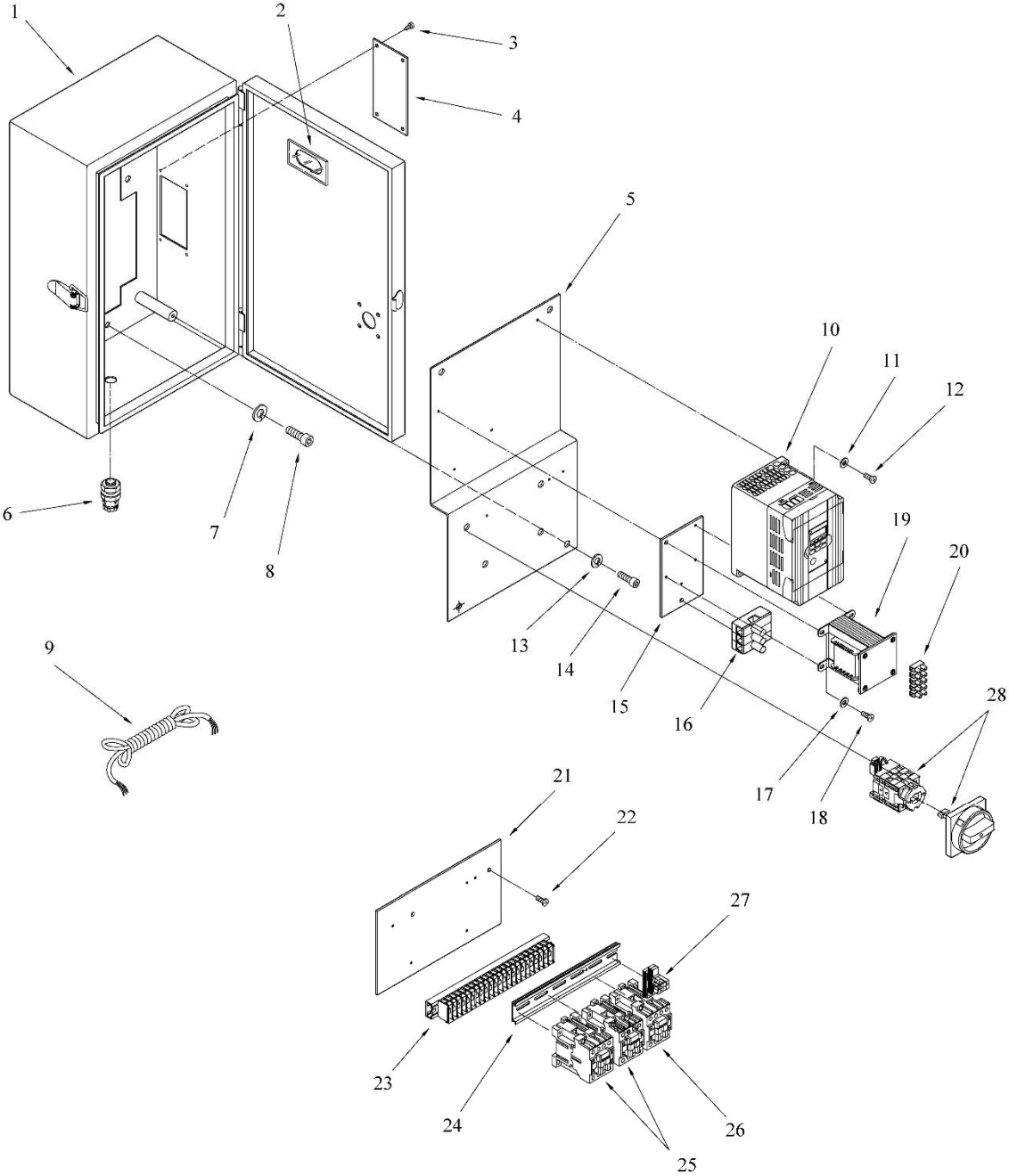


12.4.2 JDP20EVST-230/460-PDF Table and Base Assembly – Parts List

Index No.	Part No.	Description	Size	Qty
1	J-5510288A	Base		1
1-1	TS-0720111	Lock Washer	1/2"	6
1-2	TS-0070031	Hex Cap Screw	1/2"-13 x 1-1/2"	6
2	J-5510289	Coolant Cover Plate		1
2-1	20EVS-C2-1	Small Cover		1
2-2	20EVS-C4	Screw w/Washer	1/4"	3
3	5510456	Coolant Pump	115V/230V, 1P	1
	5512103	Coolant Pump	220/440V, 3P	1
4	TS-1482011	Hex Cap Screw	M6x10	4
5	5517388	Pan Head Screw		3
6	5510293A	Ball Seat		1
7	5510294	Set Screw	3/8"	2
7-1	5517389	Brass Block		2
8	5510295	Ball Bearing	3/8"	38
9	J-5510296A	Lock Ring		1
9-1	5517390	Pin	M4	1
10	5516859	Table Raiser Shaft		1
11	5510298	Spring Pin	4x20 mm	1
12	5516858	Table Clamp Shaft		1
13	5516860	Table Raiser Coupling		1
14	5510300	Socket Head Screw		1
15	TS-0561011	Hex Nut	1/4"	1
16	5510302	Rack		1
17	5514663	Large Bevel Gear		1
18	5517391	Bearing Housing		1
18-1	BB-6202ZZ	Ball Bearing	6202ZZ	2
18-2	TS-0720071	Lock Washer	1/4"	2
18-3	TS-1482041	Hex Cap Screw	M6x20	2
19	5510304	Small Bevel Gear		2
20A	J-5510305A	Bracket Cover		1
21	TS-0267041	Set Screw	1/4"-20x3/8"	1
22	BB-6005ZZ	Ball Bearing	6005zz	1
23	5510308	Shaft		1
24	20EVS-C24	C-Ring	S25	2
25	TS-1504071	Hex Socket Cap Screw	M8x35	3
26A	5510311A	Shaft		1
29	BB-51102	Bearing	51102	1
30	5510315	Table Raise Worm		1
31	20EVS-C31	Key	4x4x20 mm	1
32A	5510317A	Worm Gear Assembly		1
34	5510319	Front Cam Lock		1
35	5510320	Rear Cam Lock		1
35-1	5517396	Spring		1
35-2	TS-1523071	Set Screw	M6x25	1
35-3	5517398	Pin	5x25 mm	2
36	J-5510321	Table Raise Crank		2
37	JDP20VST-37	Table	3-Slot	1
37-1	5517399	Hose Coupler (Return)	1/2"	1
38A	JDP20EVSTPF-38A	Column		1
39	5510324	Table Raise Handle		1
43	5510328	Clear Vinyl Hose	3/8"	1
44	5510329	Hose Coupler (Supply)	3/8"	1
45	5512112	Socket Head Cap Screw	#10-32 x 1"	4
46	5510331	Mounting Bracket		1
47	5510332	Valve		1
48	5510333	Flexible Nozzle		1
49	5517400	Pan Head Screw		1
50	5517401	Clear Vinyl Hose	1/2"	1
51	5517402	Hose Clamp		1

Index No.	Part No.	Description	Size	Qty
53	5517404	Drain Plug	3/8 NPT	1
56	5513932	Table Raiser Assembly		1
57	TS-069204	Flat Washer	#10	2
58	5517488	Hex Nut	1/2"	1
59	5517489	Power Cord		1
60	5517490	Switch Assembly		1
61	5517491	Pump Cord	1 Phase	1
	5517492	Pump Cord	3 Phase	1
62	5517493	Hose Clamp, Rad. Type		2
65	5512104	Coolant System Complete	1/8 HP/115/230V/1PH	1
	5508071	Coolant System Complete	1/8 HP, 230/460V, 3PH	1
66	TS-1522021	Socket Set Screw	M5x8	2
	J2221-SBCA	Support Bearing Collar Assembly (includes #6,7,7-1,8,9,9-1)		1

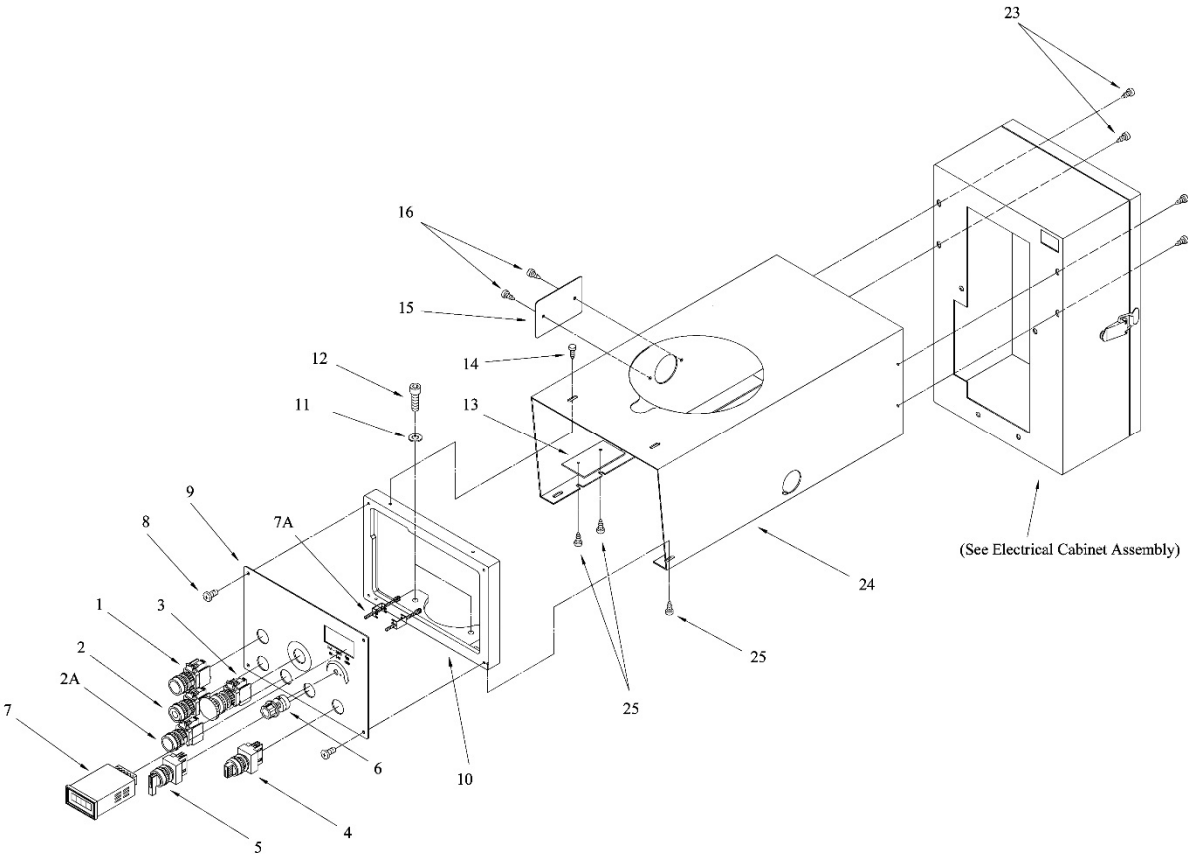
12.5.1 JDP20EVST-230/460-PDF Electrical Cabinet Assembly – Exploded View



12.5.2 JDP20EVST-230/460-PDF Electrical Cabinet Assembly – Parts List

Index No.	Part No.	Description	Size	Qty
1	JDP20EVSTPF-E01	Electrical Box w/Door and Latch		1
2	JDP20EVSTPF-E02	Plastic Plate		1
3	TS-2171012	Pan Head Machine Screw	M4x6	4
4	JDP20EVSTPF-E04	Cover		1
5	JDP20EVSTPF-E05	Electric Base Plate		1
6	JDP20EVSTPF-E06	Cable Relief		1
7	TS-1550061	Washer	M8	4
8	TS-1504021	Socket Head Cap Screw	M8x12	4
9	JDP20EVSTPF-E09	Electric Cable		1
10	JDP20EVSTPF-10/460V	Delta Inverter	B-Type/2HP/460V/ 3PH	1
	JDP20EVSTPF-10/230V	Delta Inverter	B-Type/ 2HP/230V/ 1/3PH	1
11	TS-1550021	Washer	M4	2
12	TS-2284202	Pan Head Machine Screw	M4x20	2
13	TS-1550041	Washer	M6	1
14	TS-1503041	Socket Head Cap Screw	M6x16	1
15	JDP20EVSTPF-E15	Insulation Board	140x78x3	1
16	JDP20EVSTPF-E16	Fuse	1A	3
17	TS-1550021	Washer	M4	4
18	TS-2284202	Pan Head Machine Screw	M4x20	4
19	JDP20EVSTPF-19-460V	Transformer	460V / 110V/ 60VA	1
	JDP20EVSTPF-19-230V	Transformer	230V / 110V/ 60VA	1
20	JDP20EVSTPF-E20	Terminal Plate	230x130x3	1
21	JDP20EVSTPF-E21	Connecting Board		1
22	JDP20EVSTPF-E22	Screw	M4x8	5
23	JDP20EVSTPF-E23	Terminal Plate	23P/600V/10A	1
24	JDP20EVSTPF-E24	Aluminum Rail Plate		1
25	JDP20EVSTPF-E25	Contactors	D12/24V/12A	2
26	JDP20EVSTPF-E26	Over Relay		1
27	JDP20EVSTPF-E27	Relay		2
28	JDP20EVSTPF-E28	Main Switch Assembly		1

12.6.1 JDP20EVST-230/460-PDF Control Panel Assembly – Exploded View



12.6.2 JDP20EVST-230/460-PDF Control Panel Assembly – Parts List

Index No.	Part No.	Description	Size	Qty
	JDP20EVSTPF-E01	Electric Control Box w/Door and Latch		1
1	JDP20EVSTPF-CP01	Start Switch		1
2	JDP20EVSTPF-CP02	Stop Switch		1
2A	JDP20EVSTPF-CP02A	Reverse Switch		1
3	JDP20EVSTPF-CP03	Emergency Stop Switch		1
4	JDP20EVSTPF-CP04	Selection Switch		1
5	JDP20EVSTPF-CP05	Pump Switch		1
6	JDP20EVSTPF-CP06	Speed Control Knob		1
7	JDP20EVSTPF-CP07	Speed Controller		1
7A	JDP20EVSTPF-CP07A	Holder Screw		2
8	TS-2235061	Socket Head Cap Screw	M5x6	4
9	JDP20EVSTPF-CP09	Control Panel		1
10	JDP20EVSTPF-CP10	Plate Bracket		1
11	JDP20EVSTPF-CP11	Washer	8mm	2
12	TS-1504041	Hex Socket Cap Screw	M8x20	2
13	JDP20EVSTPF-CP13	Cover		2
14	TS-1502021	Hex Socket Cap Screw	M5x10	2
15	JDP20EVSTPF-CP15	Oil Tube Cover	3/16"x3/8"	2
16	TS-2235061	Hex Socket Cap Screw	M5x6	2
23	TS-1503021	Hex Socket Cap Screw	M6x10	4
24	JDP20EVSTPF-CP24	Pulley Cover		1
25	TS-1502011	Hex Socket Cap Screw	M5x8	8