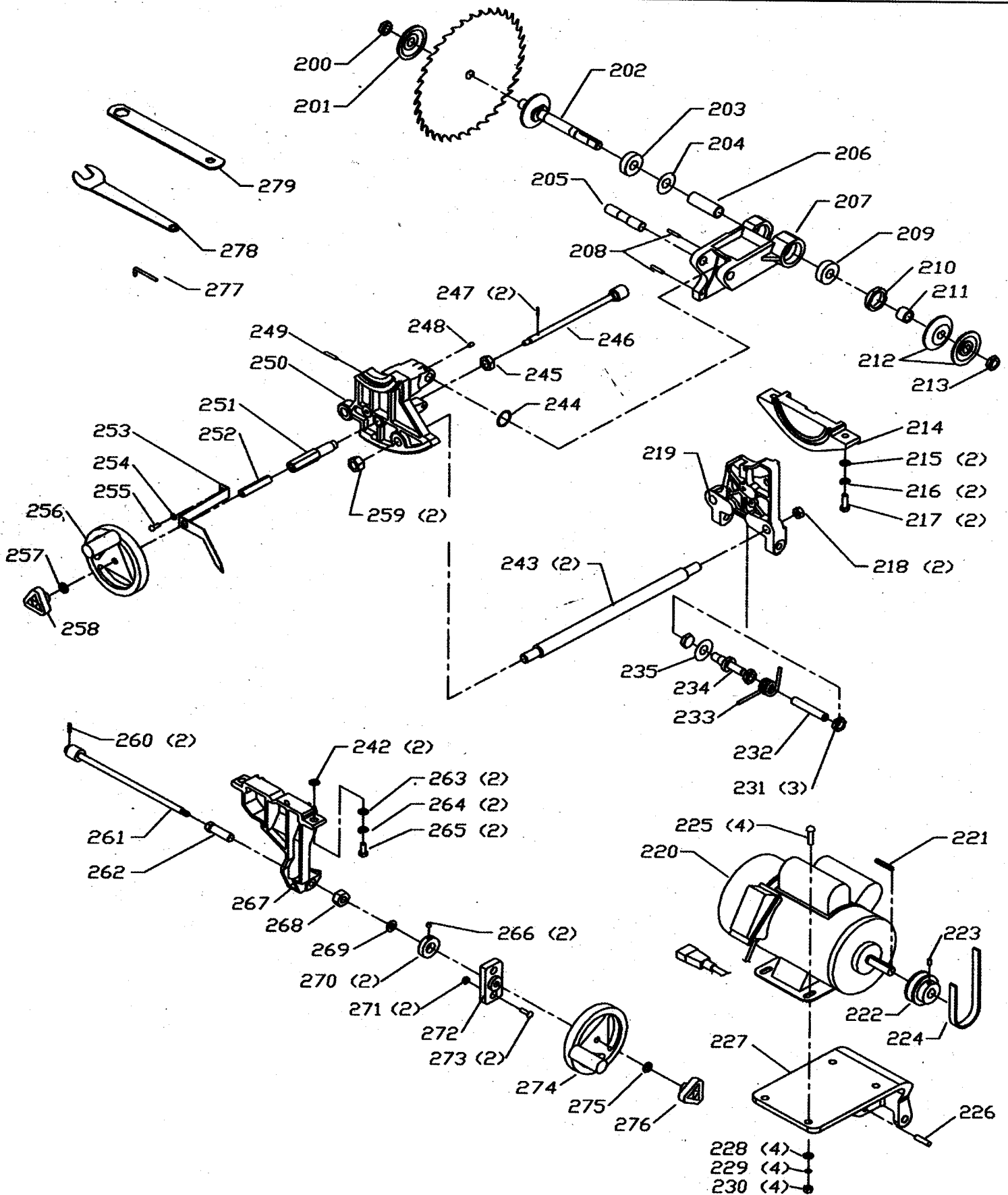


REPLACEMENT PARTS

REF. NO.	PART NO.	DESCRIPTION	REF. NO.	PART NO.	DESCRIPTION
*	1344973	BLADE GUARD ASSY, CONST OF:	69	1236214	CLAMP HANDLE KNOB
1	1313270	PUSH NUT	70	1236213	CLAMP ARM
2	1313271	PIN	71	1236211	BUSHING
3	1344974	"SEE THRU" GUARD	72	1236290	M4 X 10mm PAN HD TAP SCR
4	1313273	PIN	73	1236215	FENCE BODY (LOWER), INCL;
5	1313274	GUARD BRACKET	73A	1236269	INSTRUCTION LABEL (ENGLISH)
6	1313275	PUSH NUT	73B	1236270	INSTRUCTION LABEL (FRENCH)
7	1313276	SPRING	74	1236210	FENCE BODY (UPPER), INCL;
8	901-11-023-1476	5/16-18 x 5/8" CARRIAGE HD SCR	74A	1235965	FENCE NAMEPLATE
9	1344975	SPLITTER	75	1234870	M8 x 25mm HEX SOC HD SCR
9A	1310311	4mm x 22mm SPRING PIN	76	1236209	MOUNTING PLATE
9B	1313279	ANTI - KICKBACK FINGER	77	1236208	FENCE EXTRUSION
10	1344976	BRACKET	78	1236290	M4 X 10mm PAN HD TAP SCR
11	904-01-031-2945	FLAT WASHER	79	1236233	REAR RAIL END CAP
12	902-01-010-1300	5/16-18 HEX NUT	80	1236234	REAR RAIL
13	901-01-060-0626	1/4-20 x 3/4" HEX HD SCR	81	1236306	M8 HEX NUT
14	904-01-031-2934	FLAT WASHER	82	1236305	M8 FLAT WASHER
15	904-01-031-2934	1/4" FLAT WASHER	83	1236235	M8 X 25 SQ HD BOLT
16	904-02-020-1702	1/4" LOCK WASHER	84	1236235	M8 X 25 SQ HD BOLT
17	901-03-010-0755	1/4-20 x 3/4" HEX SOC HD SCR	85	1236290	M4 X 10mm PAN HD TAP SCR
18	901-03-010-0230	1/4-20 x 2" HEX SOC HD SCR	86	1236240	FRONT RAIL ENDCAP (LEFT)
19	1344978	SPLITTER BRACKET	87	1236306	M8 HEX NUT
20	1344977	PLATE	88	1236305	M8 FLAT WASHER
21	901-01-060-0649	5/16-18 x 1" HEX HD SCR	89	1236241	SCALE
22	1234725	EXTENSION WING	90	1236239	RACK
23	901-01-060-0664	7/16-20 X 1-1/4" HEX HD SCR	91	1236303	M6 x 10mm FLAT HD SCR
24	1236285	7/16" LOCK WASHER	92	1236237	SQUARE NUT
25	1236284	7/16" FLAT WASHER	93	1236290	M4 X 10mm PAN HD TAP SCR
26	1236281	5/16 - 18 x 3/4" NYLOK SET SCR	94	1236236	FRONT RAIL ENDCAP (RIGHT)
27	1344606	TABLE	95	1236238	FRONT RAIL
28	1236278	1/4-28 x 3/8" NYLOK SET SCR	*	1236202	SLIDING EXTENSION TABLE ASSY, CONST OF:
29	1344592	TABLE INSERT	96	1236300	M6 FLAT WASHER
30	1343538	M5 LOCK WASHER	97	1246103	M6 X 12mm HEX HD SCR
31	1236296	M5 X 20mm HEX SOC HD SCR	98	1236301	M6 HEX NUT
32	1234827	M5 x 10mm CHEESE HD SCR	99	1236302	M6 LOCK WASHER
33	1236311	M5 EXT TOOTH WASHER	100	1236203	SLIDING EXTENSION TABLE
35	1246103	M6 X 12mm HEX HD SCR	101	1236292	M4 X 16mm CHEESE HD TAP SCR
36	1236301	M6 HEX NUT	102	1236205	SPECIAL WASHER
37	1236265	SUPPORT	103	1236204	GLIDE BUSHING
38	1236268	HEX ROD SCR	104	1236206	END PLATE
39	1236273	SWITCH BOX	105	1236260	POWER CORD
40	1236272	SWITCH	106	1236271	STRAIN RELIEF
40A	1236274	SWITCH COVER ASSY	107	1236261	CORD W/FEMALE DISCONNECT
40B	1236267	CAP NUT	*	1344591	MITER GAGE ASSY, CONST OF:
*	36-654	FENCE ASSEMBLY, CONST OF:	110	1313240	HANDLE
41	1236290	M4 X 10mm PAN HD TAP SCR	111	1313241	WASHER
42	1236232	FENCE REAR COVER	112	1313242	MITER GAGE BODY
43	1343642	M6 LOCK NUT	113	1310161	M4 X 18mm PAN HD SCR
44	1236292	M4 X 16mm CHEESE HD TAP SCR	114	1313243	POINTER
45	1236213	SPECIAL WASHER	115	1310055	M6 X 6mm HEX SOC SET SCR
46	1236231	FENCE REAR LOCKING PLATE	116	1313245	STOP LINK
47	1236230	FENCE REAR TENSION PLATE	117	1243569	M4 HEX NUT
48	1236229	FENCE REAR CLAMP	118	1313247	PIN
49	1236228	TENSION ROD	119	1310055	M6 X 6mm HEX SOC SET SCR
50	1236299	M8 X 60 SPRING PIN	120	1345220	MITER GAGE GUIDE BAR
51	1341235	M4 X 12mm ROUND HD SCR	121	901-02-030-5750	1/4-28 X 5/16" FLAT HD SCR
52	1236288	M4 FLAT WASHER	122	422-04-072-0001	SPECIAL WASHER
53	1236227	CURSOR	*	1236310	CROSS-CUT FENCE ASSY, CONST OF:
54	1236226	GLIDE PAD (REAR)	123	1236297	M5 X 40MM HEX SOC HD SCR
55	1236225	GLIDE PAD (FRONT)	124	1236295	M5 HEX HUT
56	1236293	M4 X 6mm CHEESE HD SCR	125	1236294	M5 FLAT WASHER
57	1234827	M5 x 10mm CHEESE HD SCR	126	1236312	M5 X 25MM HEX SOC HD SCREW
58	1236224	GEAR	127	1236256	CROSS-CUT FENCE
59	1236304	M6 X 8mm ROUND HD SCR	128	1343504	M5 LOCK NUT
60	1236223	MICRO-ADJUST KNOB ASSY	129	1236257	FLIP STOP
61	1236222	COIL SPRING	130	1236259	KNOB
62	1236219	MOUNTING BRACKET ASSY	131	1236294	M5 FLAT WASHER
63	1246104	M6 X 25mm HEX SOC HD SCR	132	1236258	SUPPORT
64	1236217	LOCKING PLATE	133	1236294	M5 FLAT WASHER
65	1236291	M4 X 10mm ROUND HD SCR			
66	1236218	FENCE PLATE			
67	1236287	E-RING			
68	1236216	PIVOT PIN			

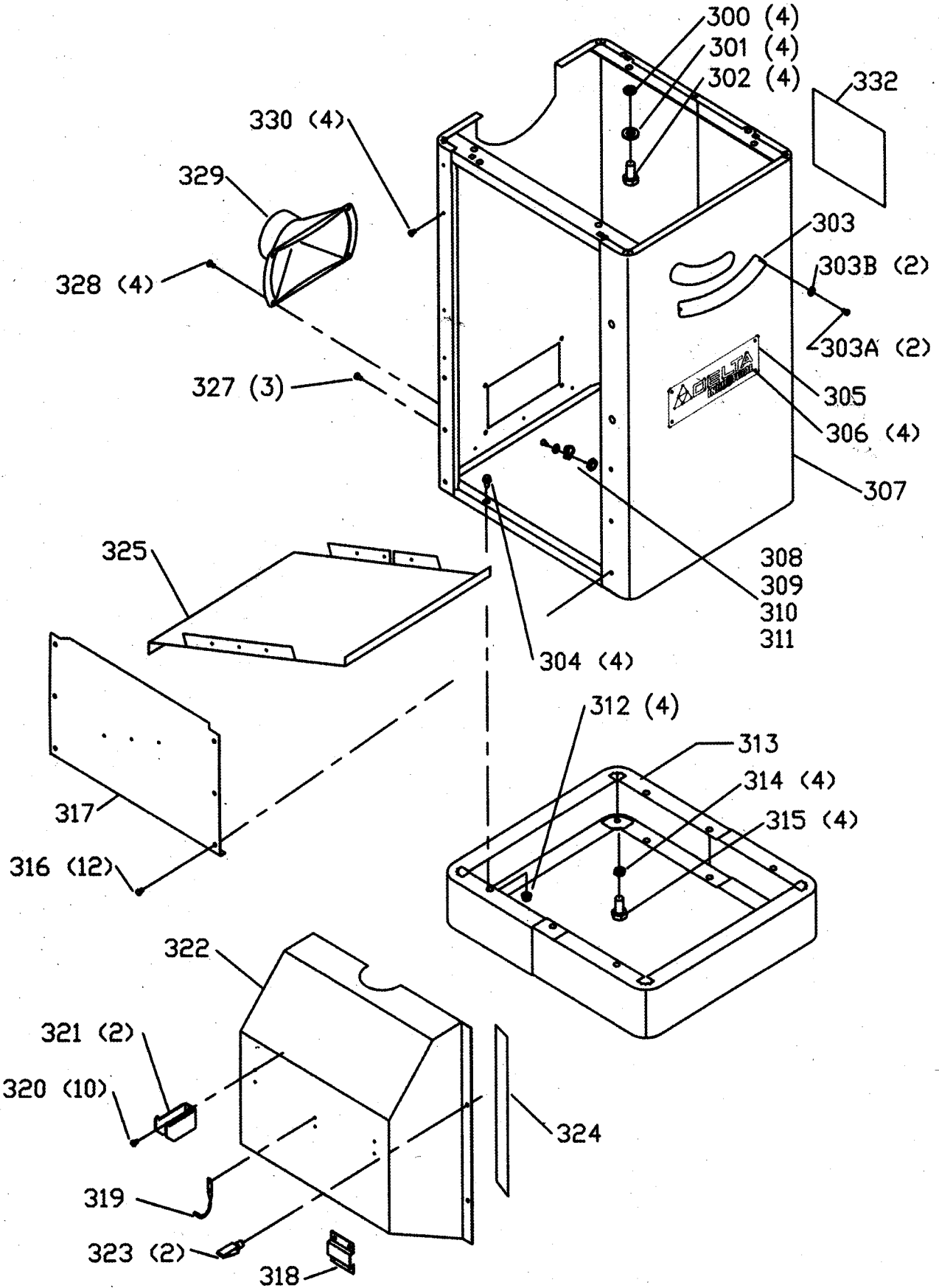
* NOT SHOWN ASSEMBLED



REPLACEMENT PARTS

REF. NO.	PART NO.	DESCRIPTION	REF. NO.	PART NO.	DESCRIPTION
200	1344990	ARBOR NUT-LH	243	1344989	TIE BAR
201	1344991	FLANGE	244	1313289	WAVE WASHER
202	1344992	ARBOR SHAFT	245	902-01-020-1226	5/8-18 JAM NUT
203	1341014	BALL BEARING	246	1344988	ELEVATING SHAFT ASSEMBLY
204	928-06-020-7382	WAVE WASHER	247	1246147	3mm x 14mm SPRING PIN
205	1344994	SHAFT	248	901-04-141-9152	1/4-20 x 5/16" HEX SOC SET SCR
206	1344993	SPACER	249	1246101	5 x 28mm SPRING PIN
207	1344995	ELEVATING BRACKET	250	1344987	FRONT TRUNNION
208	1243300	5mm x 24mm SPRING PIN	251	1344986	SLEEVE
209	1341014	BALL BEARING	252	1344981	SPACER
210	1344996	BEARING CLOSURE NUT	253	1236212	POINTER
211	1344997	SPACER	254	904-01-031-2934	FLAT WASHER
212	1344998	PULLEY HALF	255	901-03-010-3309	1/4-20 x 5/8" HEX SOC HD SCR
213	902-01-020-1226	5/8-18 JAM NUT	256	902900	HANDWHEEL ASSY
214	1345000	BRACKET	257	1313239	WASHER
215	904-01-031-2945	5/16" FLAT WASHER	258	902898	KNOB
216	1343390	5/16" LOCK WASHER	259	902-01-283-1393	5/8-18 LOCK NUT
217	901-01-060-0649	5/16-18 x 1" HEX HD SCR	260	1246147	3mm x 14mm SPRING PIN
218	902-01-283-1393	5/8-18 LOCK NUT	261	1344984	TILT SHAFT ASSY
219	1236262	REAR TRUNNION	262	1344983	ECCENTRIC
220	1236242	MOTOR ASSEMBLY 1.75 H.P.	263	904-01-031-2945	5/16" FLAT WASHER
**	1235960	SPECIFICATION LABEL	264	1343390	5/16" LOCK WASHER
221	1236283	5mm x 36mm KEY	265	901-01-060-0649	5/16-18 x 1" HEX HD SCR
222	1345008	MOTOR PULLEY	266	901-04-150-0208	1/4-20 x 1/4" HEX SOC SET SCR
223	901-04-150-0206	5/16-18 x 5/16" HEX SOC SET SCR	267	1344982	FRONT TRUNNION BRACKET
224	1236266	BELT	268	1236286	9/16-18 JAM HEX NUT
225	1236282	5/16-18 X 5/8" HEX HD SCR	269	904-01-031-2933	3/8" FIBER WASHER
226	1236309	SPRING PIN	270	1344985	COLLAR
227	1236220	MOTOR PLATE	271	902-01-503-1514	5/16-18 FLANGE NUT
228	904-01-031-2945	5/16" FLAT WASHER	272	1344604	BRACKET
229	1343390	5/16" LOCK WASHER	273	901-02-010-0506	5/16-18 x 5/8" ROUND HD SCR
230	902-01-010-1300	5/16-18 HEX NUT	274	902900	HANDWHEEL ASSY
231	1236276	1/2-13 LOCK NUT	275	1313239	WASHER
232	1236243	STUD	276	902898	KNOB
233	1236244	SPRING	277	722-29-101-0002	M4 ALLEN WRENCH
234	1236221	SUPPORT STUD	278	1313232	OPEN END WRENCH
235	1236275	1/2" WAVE WASHER	279	955-01-050-1482	WRENCH (7/8" x 1/2")
242	1345086	SHIM			

** NOT SHOWN.



REPLACEMENT PARTS

REF. NO.	PART NO.	DESCRIPTION
300	904-01-031-2945	5/16" FLAT WASHER
301	1343390	5/16" LOCK WASHER
302	1236282	5/16-18 X 5/8" HEX HD SCR
303	1236452	BEVEL SCALE
303A	1236290	M4 X 10mm PAN HD TAP SCR
303B	1236288	M4 FLAT WASHER
304	1236308	M8 X 16mm HEX FLANGE HD SCR
305	1236255	NAMEPLATE
306	1236214	BLIND RIVET
307	1236245	CABINET ASSY WELDMENT
308	1236291	M4 X 10mm ROUND HD SCR
309	1236289	M4 LOCKWASHER
310	1342930	CABLE CLAMP
311	1243569	M4 HEX NUT
312	1236307	M8 HEX FLANGE NUT
313	1236246	SUB BASE ASSY WELDMENT
314	1350291	3/8-16 HEX NUT
315	1236263	LEVELING PAD
316	1236298	M5 X 6mm ROUND HD SCR
317	1236247	SIDE PANEL
318	1236264	MITER GAGE BRACKET
319	1236248	WRENCH HOOK
320	1236290	M4 X 10mm PAN HD TAP SCR
321	1236249	BRACKET
322	1236250	MOTOR COVER
323	1236251	LATCH
324	1236252	RUBBER GASKET
325	1236253	DUST CHUTE RAMP
327	1236298	M5 X 6mm ROUND HD SCR
328	1234835	M6 X 12mm ROUND HD SCR
329	1236254	DUST PORT
330	1234835	M6 X 12mm ROUND HD SCR
332	1233556	WARNING LABEL

STANDARD SAFETY EQUIPMENT

In order to promote tool safety, Delta International Machinery Corp. strictly enforces the policy of repairing or replacing any damaged or missing standard safety equipment on machines presented to Delta Authorized Service Centers for service/repair. Any product which is presented to a Delta Authorized Service Center for repairs which contains missing or damaged standard safety equipment will have that equipment repaired or replaced and the customer will be charged for any such service/repairs. Customers can avoid such charges only if the missing safety component is supplied to the service center at the time of repair.

This parts list is provided to aid in obtaining service parts. Copies of the instruction and maintenance literature can be obtained through the Delta Technical Publications Department or through your local service outlet.