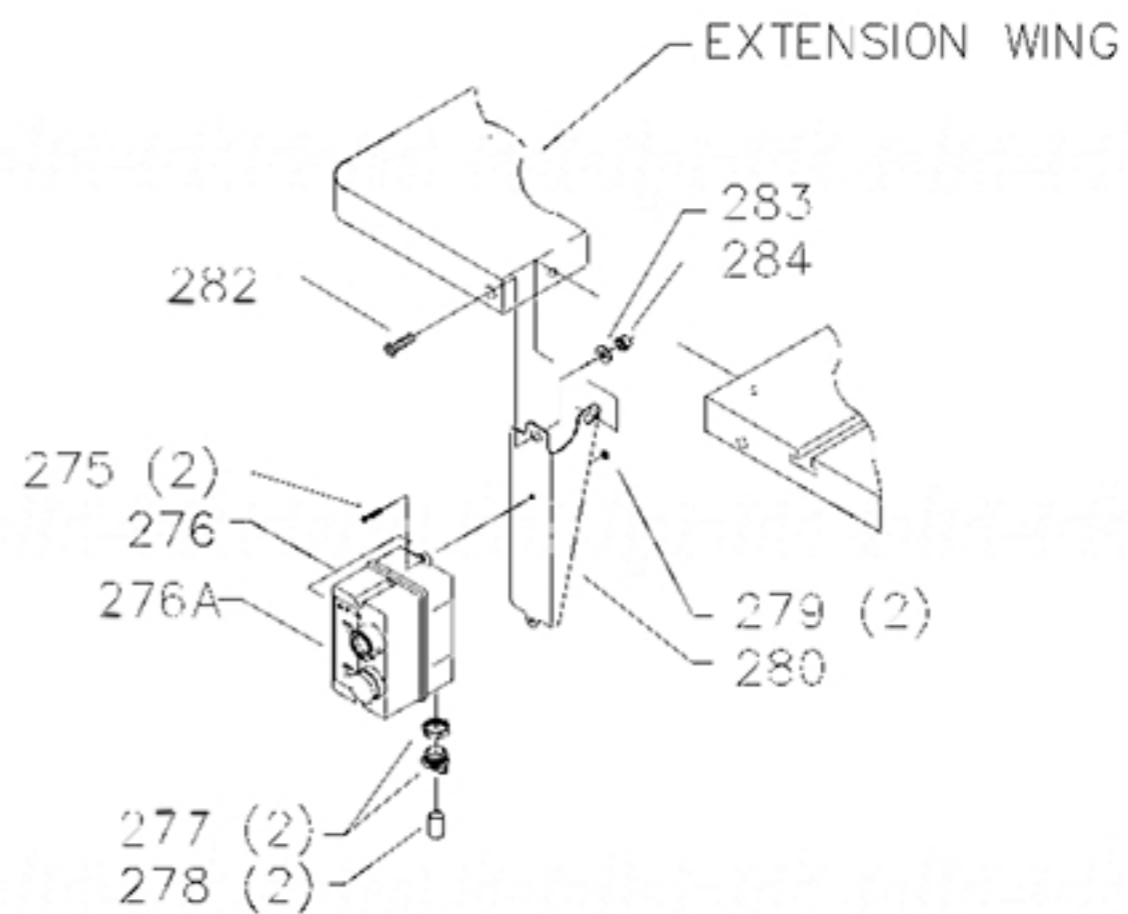


FOR USE WITH LVC MODELS ONLY



FOR USE WITH GPE MODELS ONLY