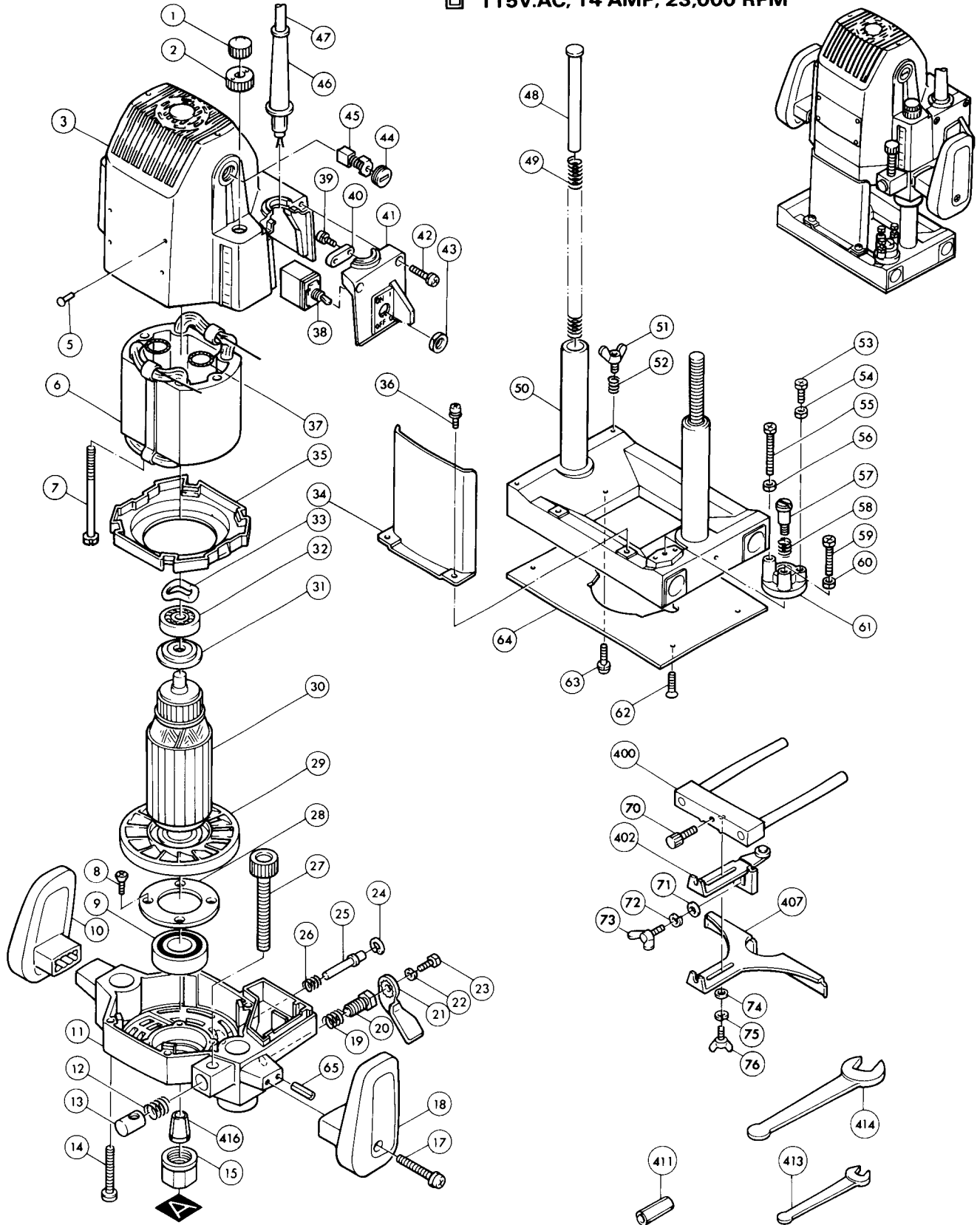




ROUTER

Model 3612B

□ 115V.AC, 14 AMP, 23,000 RPM



IMPORTANT! — To assure product **SAFETY** and **RELIABILITY**, repairs, maintenance or adjustments should be performed by **MAKITA** Service Centers, or other qualified service organizations. Always use **MAKITA** replacement parts.

Item No.	Part No.	No. Used	Description	Item No.	Part No.	No. Used	Description
1	252625-8	1	NUT M10	43	652102-4	1	HEX. NUT M12
2	410129-8	1	NYLON NUT M10	44	643650-4	2	BRUSH HOLDER CAP
3	157109-0	1	MOTOR HOUSING (with label 816410-9, 2 ea. of BRUSH HOLDER 643653-8 & SCREW 913206-0)	45	643153-8	2	CARBON BRUSH (CB-153)
5	953106-2	4	RIVET	46	682504-0	1	CORD GUARD
6	624706-2	1	FIELD ASS'Y (With Item No. 37)	47	664463-0	1	CORD with plug (2X14X8; SJ)
7	925901-0	2	HEX.. BOLT M5X85	48	314062-5	1	POLE
8	912121-5	4	COUNTERSUNK HEAD SCREW M4X14	49	231329-5	2	COMPRESSION SPRING 11
9	211326-7	1	BALL BEARING 2012D DW.	50	151239-9	1	BASE COMPLETE
10	410127-2	1	KNOB (L)	51	924316-8	1	WING BOLT M6X15
11	155763-4	1	MOTOR BRACKET	52	231071-8	1	COMPRESSION SPRING 9
12	231142-1	1	COMPRESSION SPRING 10	53	265333-2	1	HEX. BOLT M5X16
13	323559-3	1	HALF NUT	54	931202-6	1	HEX. NUT M5
14	911261-6	4	PAN HEAD SCREW M5X40	55	265336-6	1	HEX. BOLT M5X40
15	763629-0	1	COLLET NUT	56	931202-6	1	HEX. NUT M5
17	911363-8	2	PAN HEAD SCREW M6X40	57	251423-7	1	FLAT HEAD SCREW M6
18	410126-4	1	KNOB (R)	58	231231-2	1	COMPRESSION SPRING 12
19	231574-2	1	TORSION SPRING	59	265335-8	1	HEX, BOLT M5X28
20	265813-8	1	SET BOLT M10	60	931202-6	1	HEX. NUT M5
21	341933-3	1	LOCK LEVER	61	134205-1	1	STOPPER ASS'Y (Include Items 53-56, 59-61)
22	942101-7	1	SPRING WASHER	62	912107-9	2	COUNTERSUNK HEAD SCREW M4X8
23	265269-5	1	HEX. BOLT M5X12	63	911206-4	4	PAN HEAD SCREW M5X10
24	962062-5	1	RETAINING RING R-12	64	413017-8	1	BASE PLATE
25	256606-4	1	PIN	65	951160-0	2	SPRING PIN
26	231037-8	1	COMPRESSION SPRING 7	70	251830-4	1	SCREW M10X34
27	251861-3	1	SCREW M10X77	71	941101-4	1	FLAT WASHER 5
28	285657-0	1	BEARING RETAINER	72	942101-7	1	WASHER 5
29	241823-9	1	FAN	73	924206-5	1	THUMB SCREW M5X10
30	614740-0	1	ARMATURE ASS'Y (Include Items 29 — 32)	74	941151-9	1	FLAT WASHER 6
31	681624-7	1	INSULATION WASHER	75	942151-2	1	SPRING WASHER 6
32	211068-3	1	BALL BEARING 6200LB	76	924311-8	1	THUMB SCREW M6X12
33	253913-6	1	WAVE WASHER	ACCESSORIES			
34	410822-4	1	CHIP DEFLECTOR	400	132306-9	1	GUIDE BASE ASS'Y (Include Items 70, 74-76)
35	410258-7	1	BAFFLE PLATE	402	123022-4	1	TRIMMER GUIDE ASS'Y (Include Items 71-73)
36	911214-5	2	PAN HEAD SCREW M5X12	407	342428-9	1	STRAIGHT GUIDE
37	654020-2	2	GARTER SPRING	411	763803-0	1	1/4" COLLET SLEEVE
38	651471-0	1	SWITCH	413	781213-9	1	WRENCH 8
39	911121-2	2	PAN HEAD SCREW M4X14	414	781210-5	1	WRENCH 24
40	687001-1	1	STRAIN RELIEF	416	763622-4	1	1/2" COLLET CONE
41	410297-7	1	SWITCH COVER				
42	911138-5	2	PAN HEAD M4X20				