

371, 371 EPA 362, 362 EPA

Spare parts

Ersatzteile

Pièces détachées

Reserve onderdelen

Repuestos

Reservdelar

Replaces

Ersetzt

Remplace

Vervangt

Reemplaza

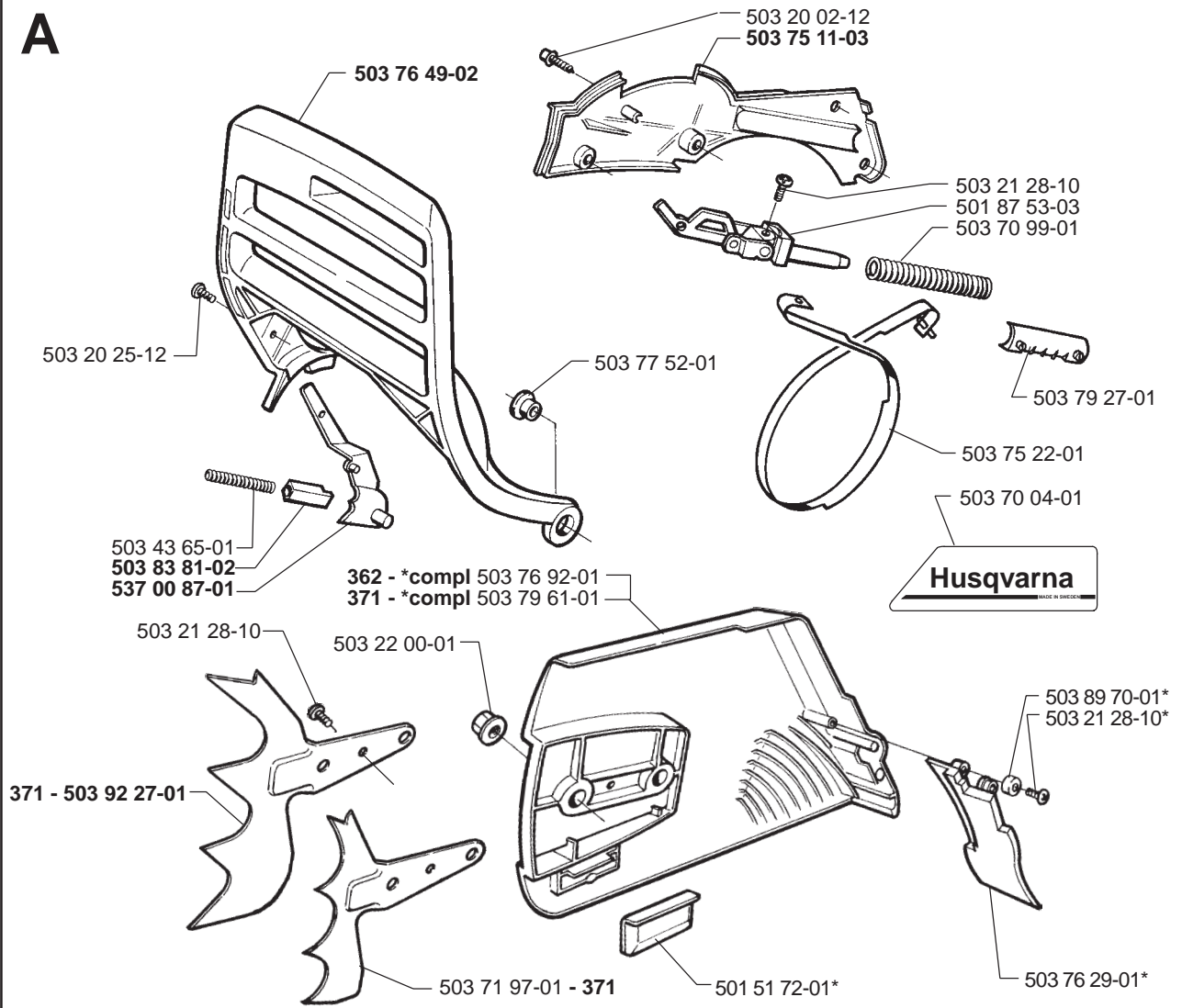
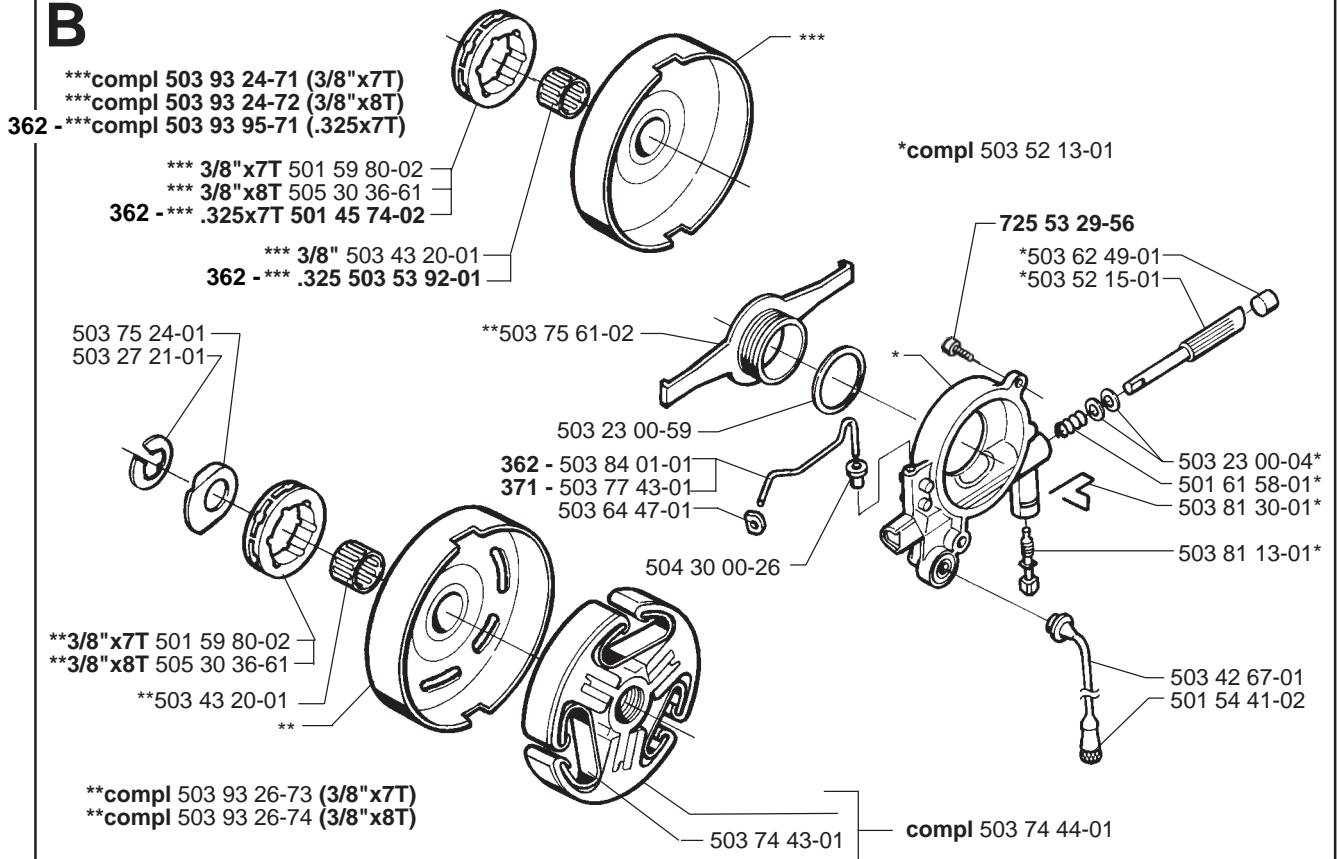
Ersätter

106 24 21-64

106 25 06-61

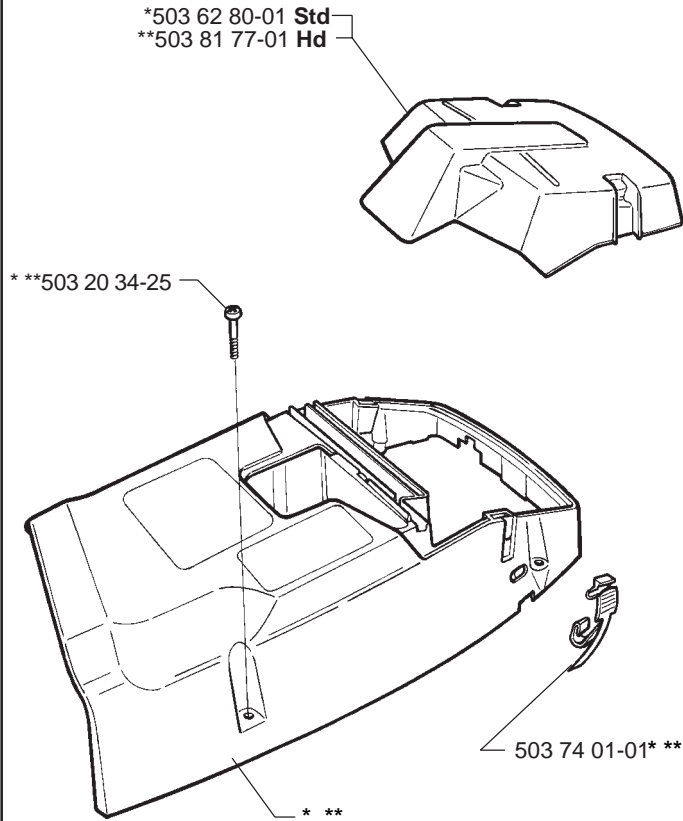
371

362

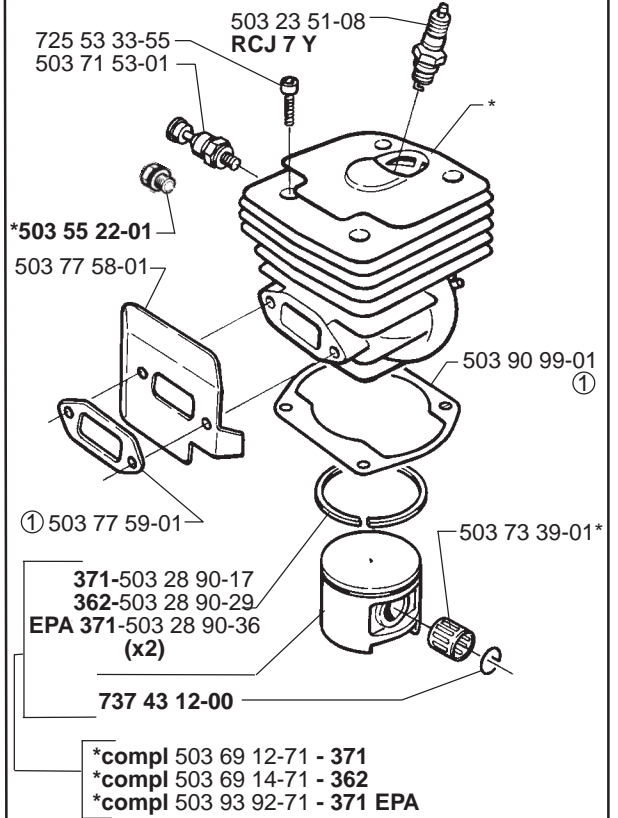
A**B**

C

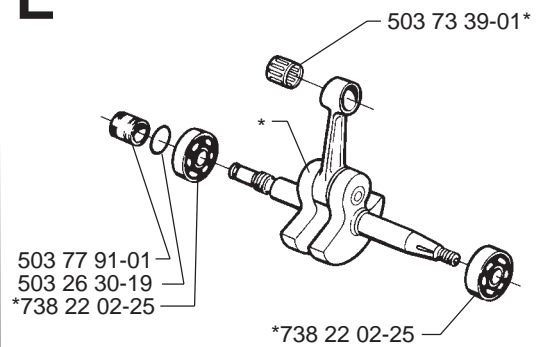
*compl 503 62 78-02 Std
 **compl 503 62 78-04 Hd

**D**

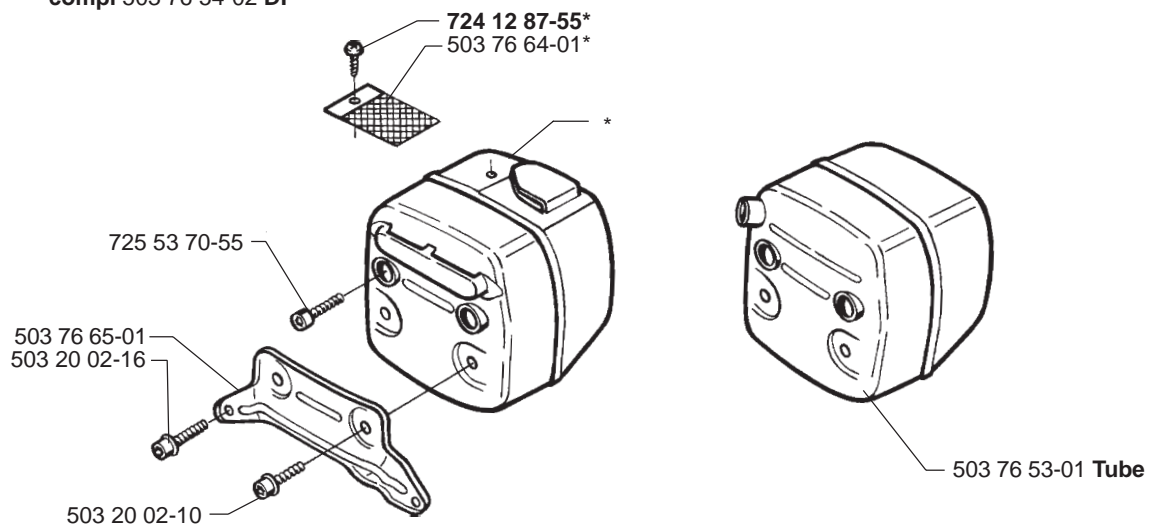
*compl 503 62 64-72 - 371
 *compl 503 96 52-71 - 362
 *compl 503 93 93-71 - 371 EPA

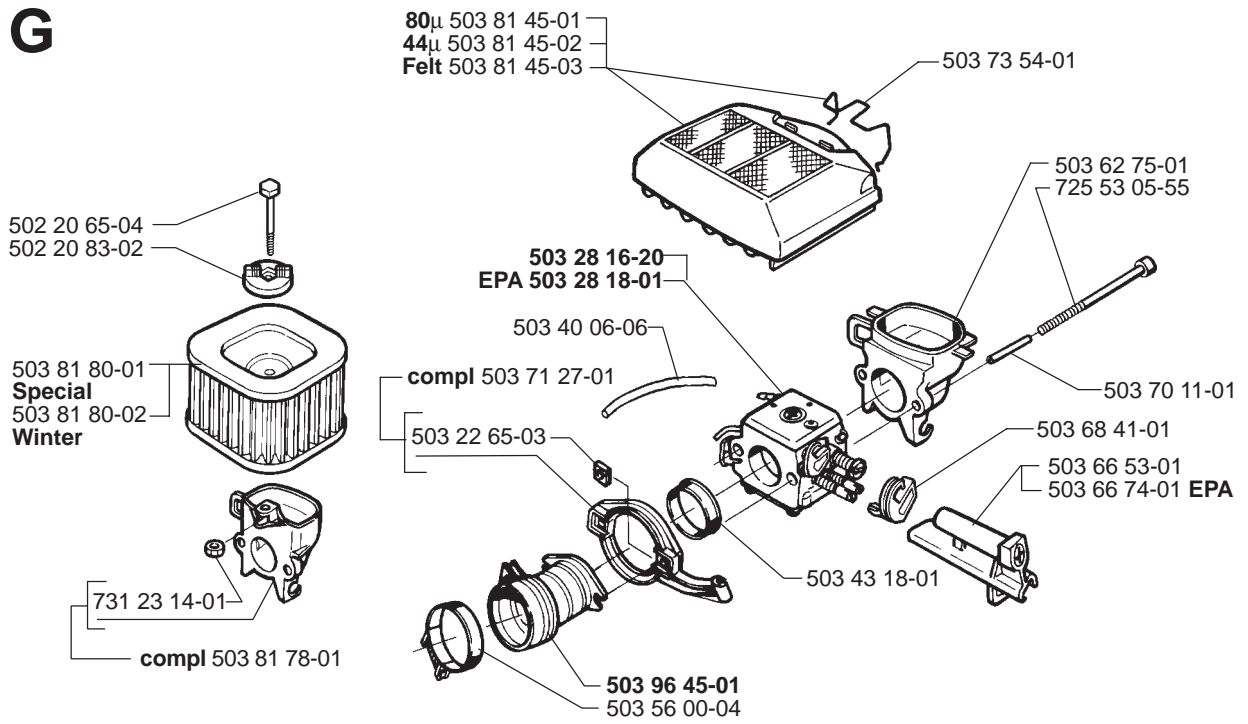
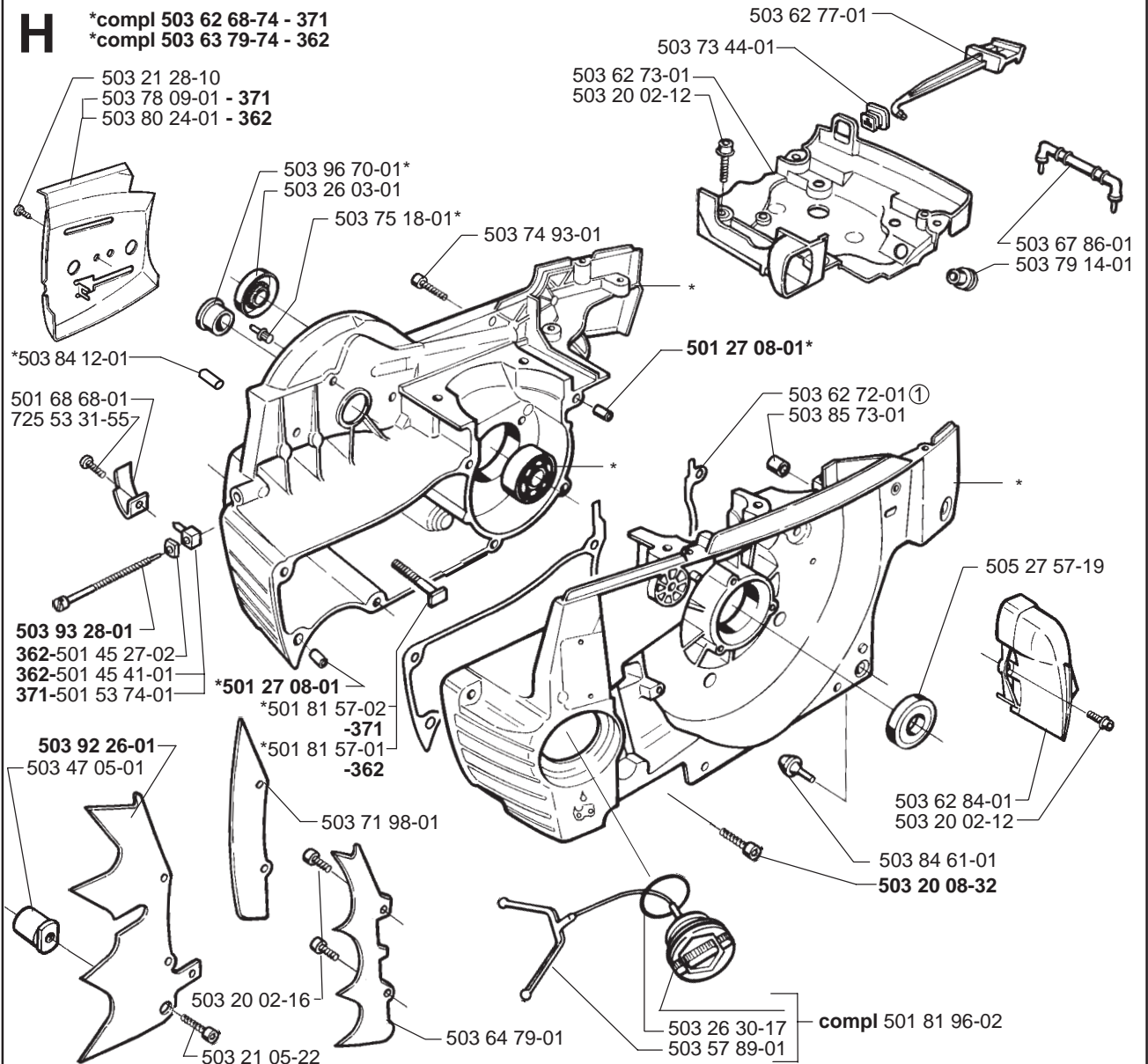
**E**

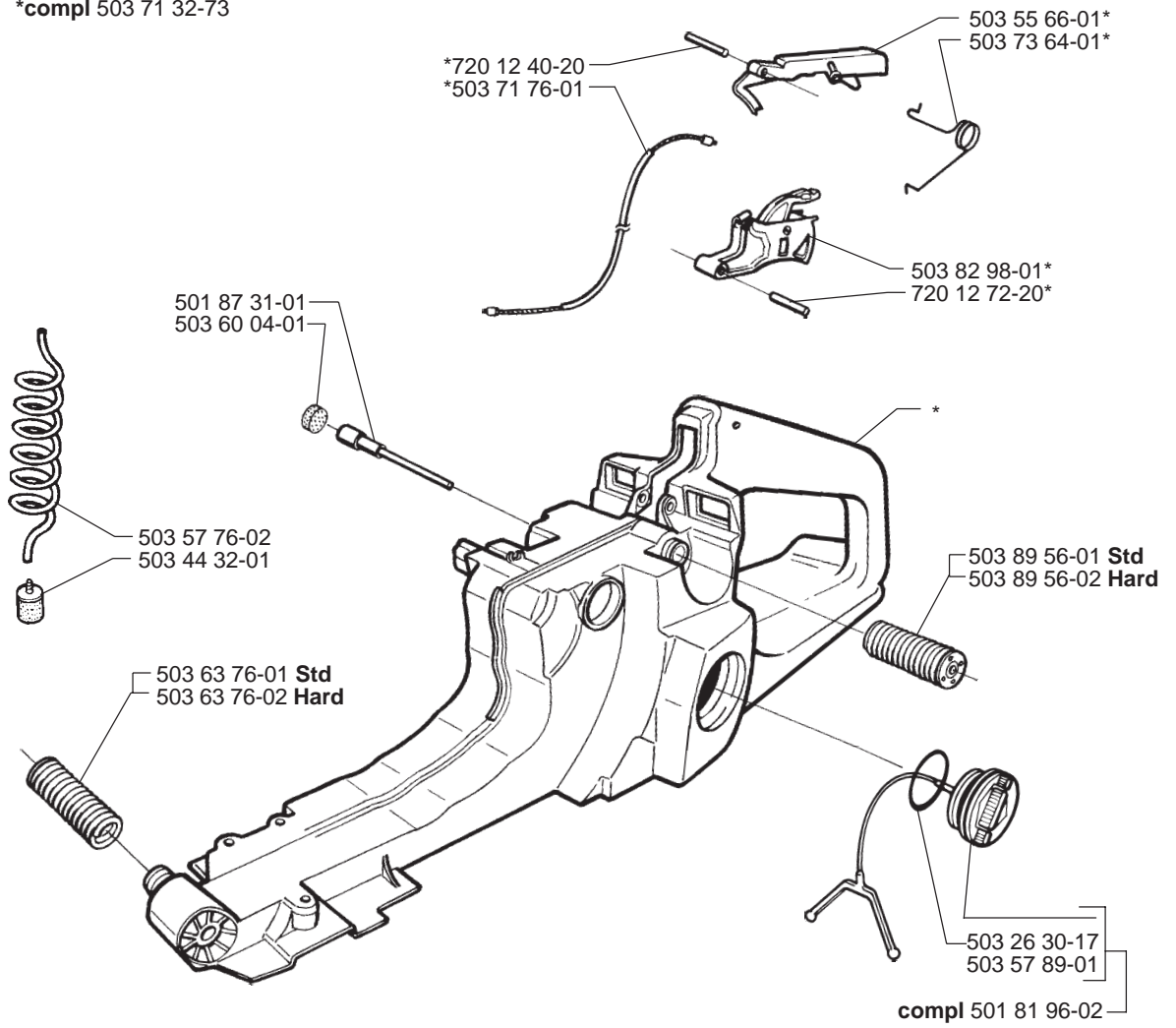
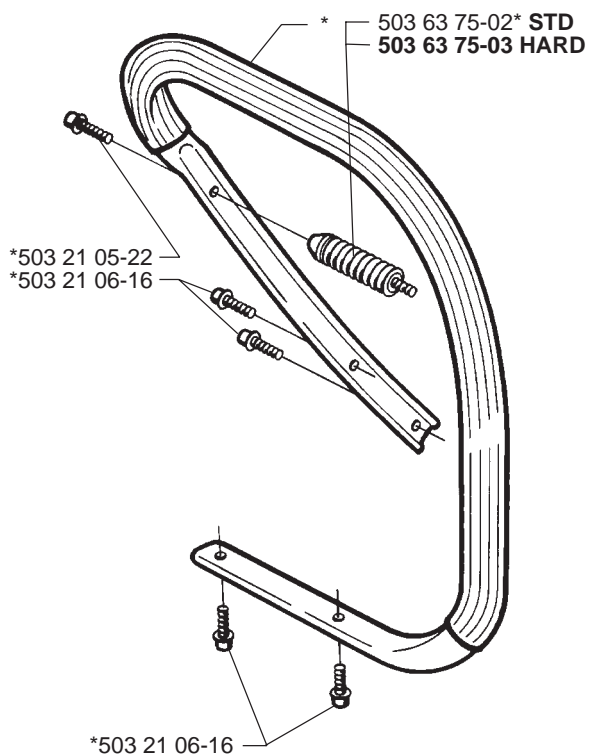
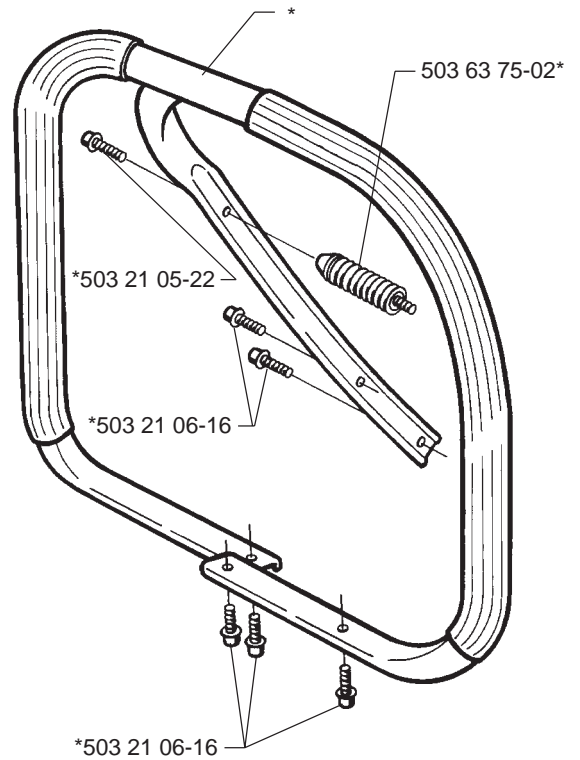
*compl 503 72 91-76

**F**

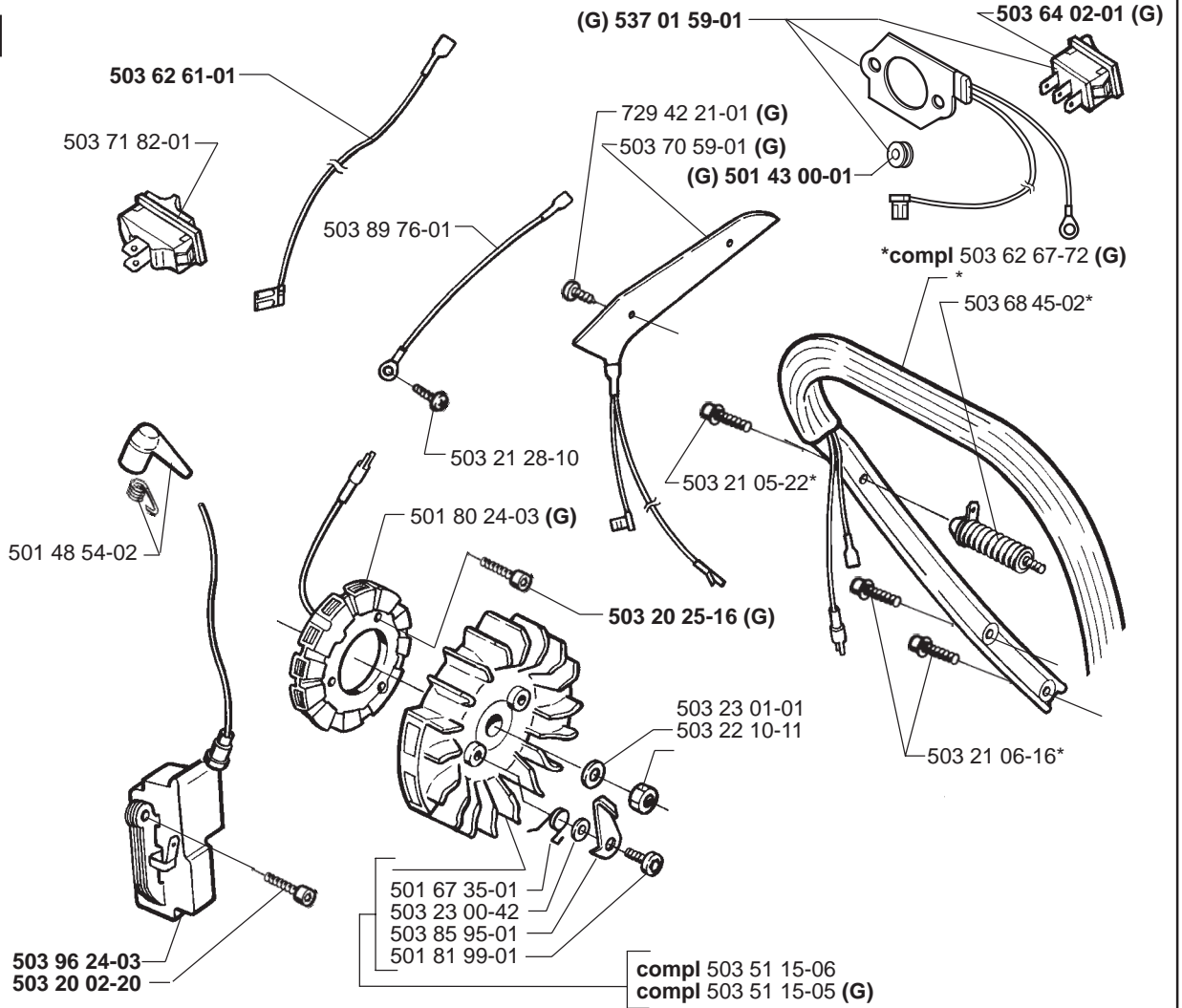
compl 503 76 52-01 FG
 *compl 503 76 53-02 Jungle
 *compl 503 76 54-02 DF



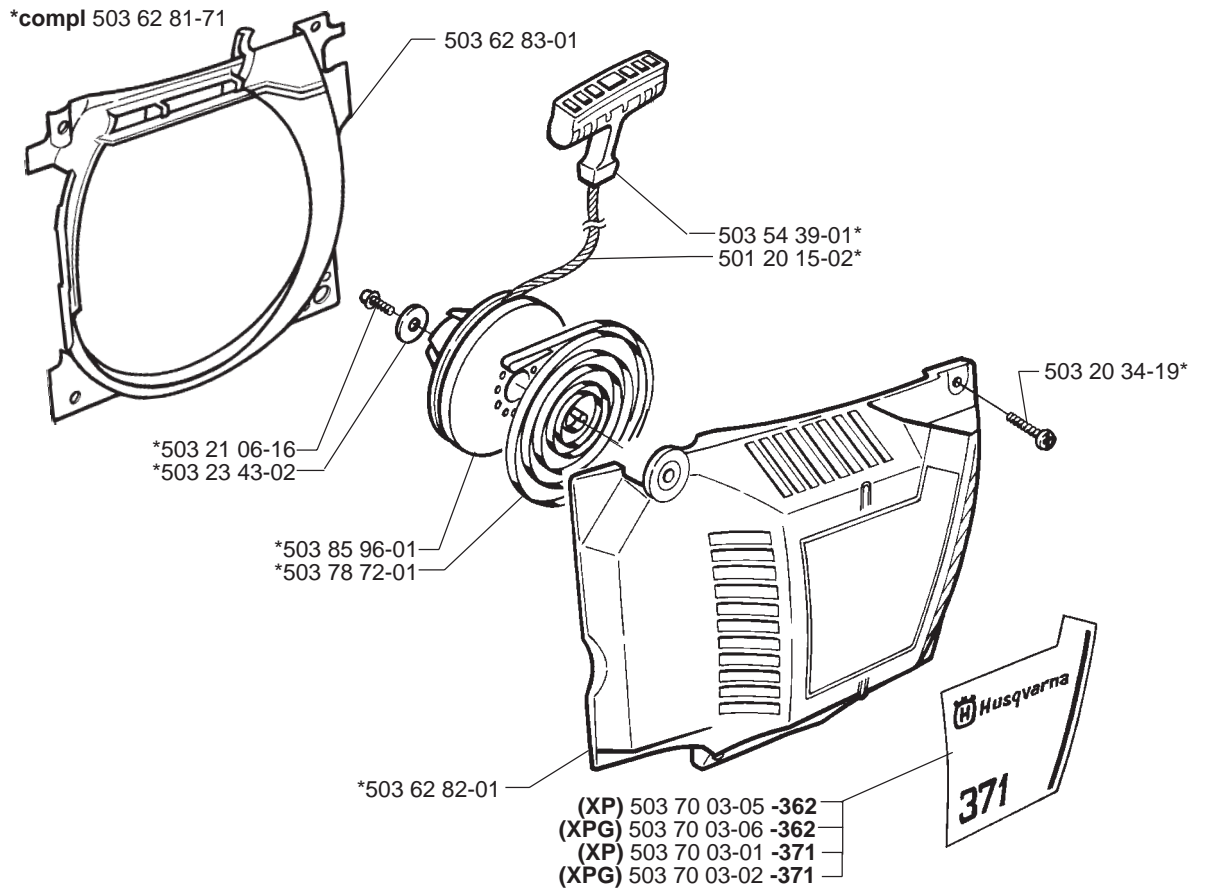
G**H**

J***compl 503 71 32-73****K*****compl 503 62 67-71****L*****compl 503 62 86-71**

M

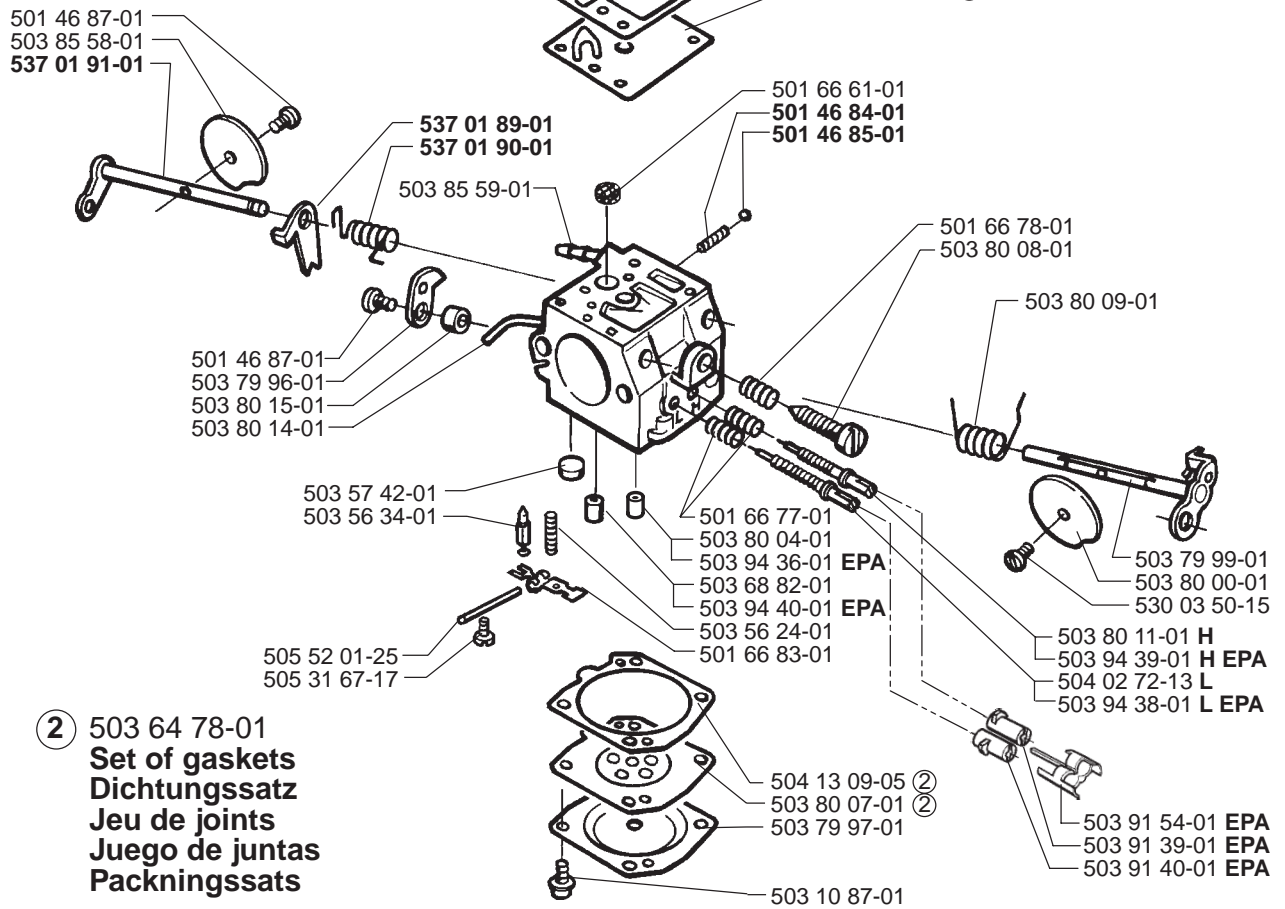


N



P compl 503 28 16-20
compl 503 28 18-01 EPA

Walbro HD-6 A Walbro HD-12 A EPA



Q Accessories Zubehöre Accessories Tillbehör

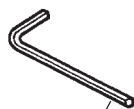
503 98 74-01



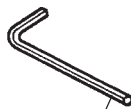
537 03 60-03



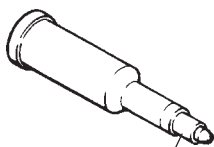
*compl 503 55 85-01



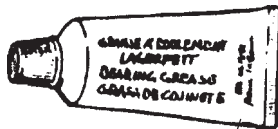
*503 55 86-01 NV4



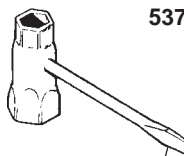
*503 55 86-02 NV5



*501 91 14-01

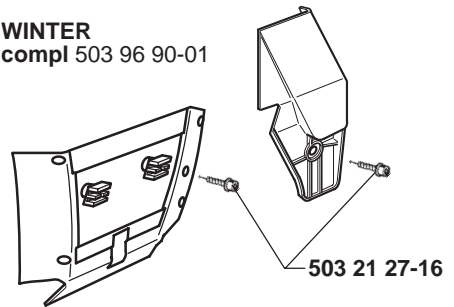


*503 62 12-01



*501 69 17-01

WINTER
compl 503 96 90-01



362 EPA -537 03 61-21
371 EPA -537 03 61-08

IMPORTANT ENGINE INFORMATION

HUSKVARNA SWEDEN EM
THIS ENGINE CONFORMS TO U.S. EPA PH 1
EMISSION REGULATION FOR SMALL
NONROAD ENGINES. REFER TO OPERATOR'S
MANUAL FOR MAINTENANCE
SPECIFICATIONS AND ADJUSTMENTS.

