

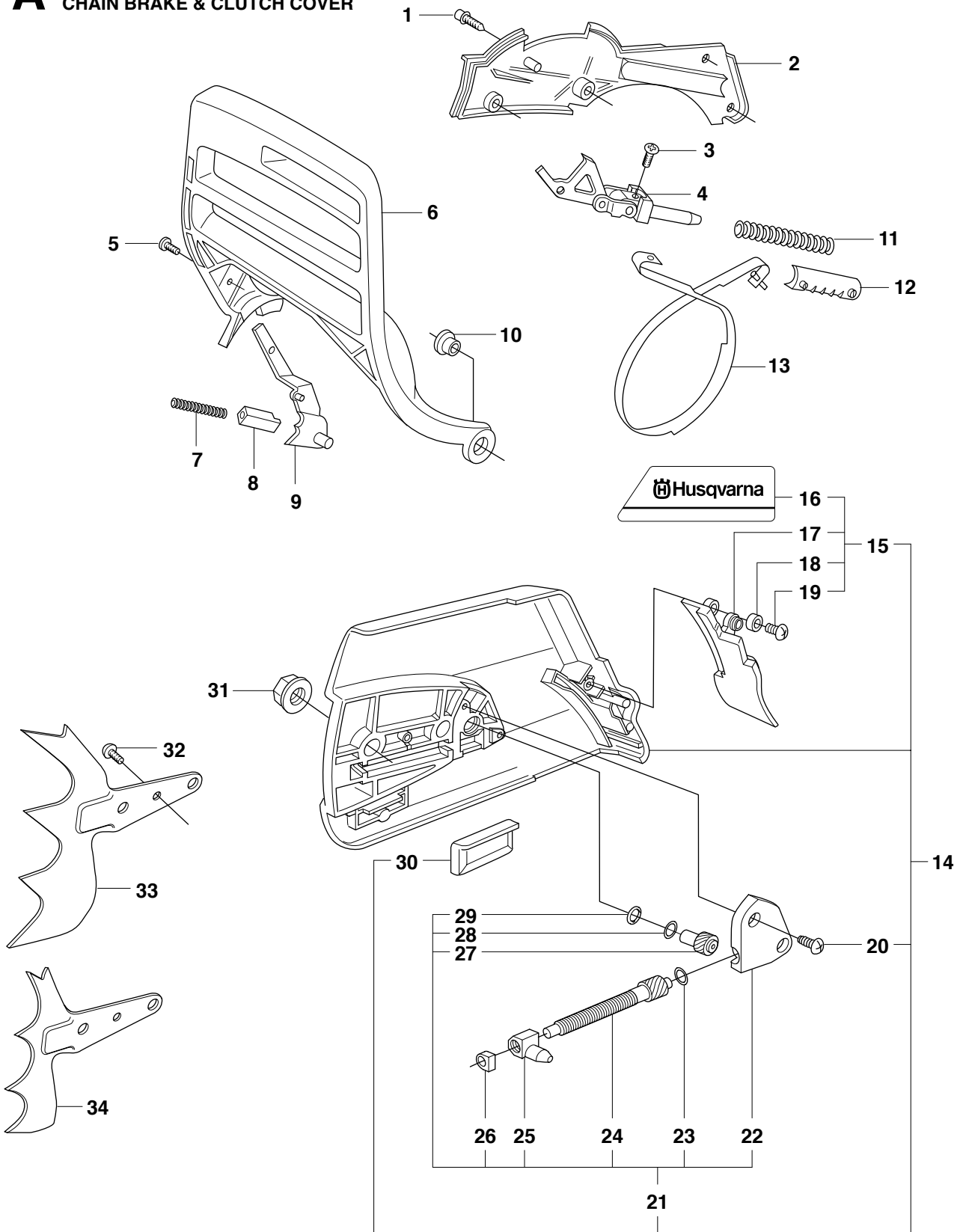


372

372 EPA

Spare parts
Ersatzteile
Pièces détachées
Reserve onderdelen
Repuestos
Reservdelar

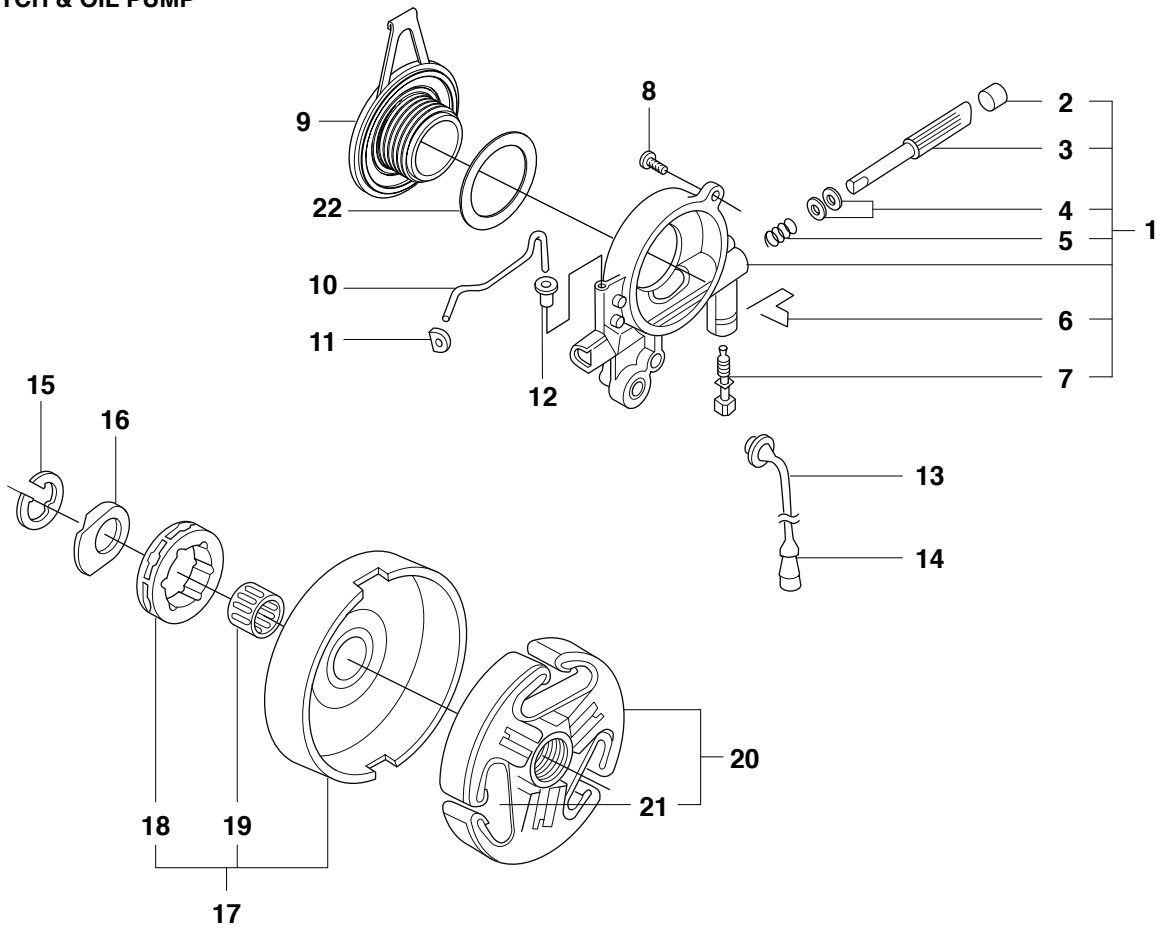
A 372
CHAIN BRAKE & CLUTCH COVER



CHAIN BRAKE & CLUTCH COVER

Position	Article	Quantity	Notes	Kit
1	503 20 02-12	4		
2	503 75 11-03	1		
3	503 21 28-10	1		
4	501 87 53-03	1		
5	503 20 25-12	1		
6	503 76 49-03	1		
7	503 43 65-01	1		
8	503 83 81-02	1		
9	537 00 87-01	1		
10	503 77 52-01	1		
11	503 70 99-01	1		
12	503 79 27-02	1		
13	503 75 22-02	1		
14	537 03 35-01	1		
15	537 03 35-71	1		14
16	537 03 38-03	1		14, 15
17	503 76 29-02	1		14, 15
18	503 89 70-01	1		14, 15
19	503 21 28-10	1		14, 15
20	503 21 28-10	2		14
21	537 04 41-02	1		14
22	537 01 68-01	1		14, 21
23	503 23 00-66	1		14, 21
24	537 07 95-02	1		14, 21
25	503 99 83-01	1		14, 21
26	537 01 74-01	1		14, 21
27	537 07 94-02	1		14, 21
28	503 23 00-63	1		14, 21
29	740 48 07-02	1		14, 21
30	501 51 72-01	1		14
31	503 22 00-01	2		
32	503 21 28-10	1		
33	503 92 27-01	1	372 WRAP	
34	503 71 97-01	1		

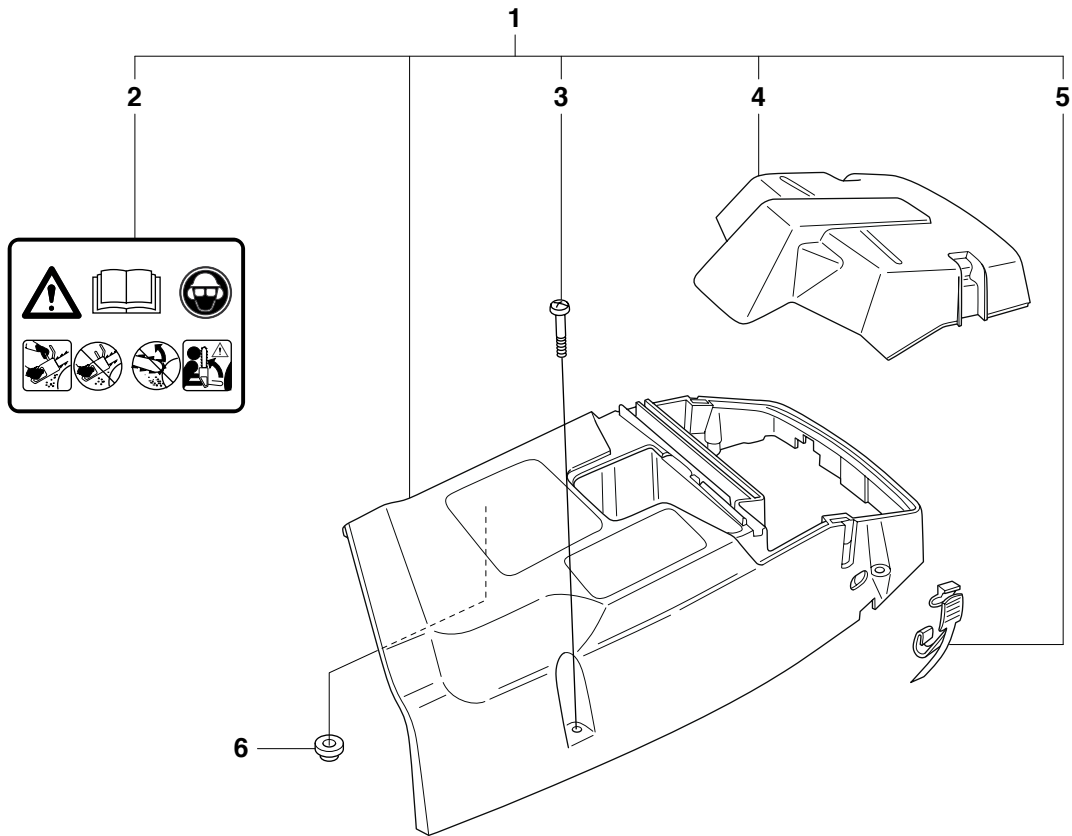
B 372
CLUTCH & OIL PUMP



CLUTCH & OIL PUMP

Position	Article	Quantity	Notes	Kit
1	503 52 13-03	1		
2	503 62 49-01	1		1
3	503 52 15-01	1		1
4	503 23 00-04	2		1
5	501 61 58-01	1		1
6	503 81 30-01	1		1
7	503 81 13-01	1		1
8	725 53 29-56	2		
9	537 20 78-05	1		
10	503 77 43-01	1		
11	503 64 47-01	1		
12	504 30 00-26	1		
13	503 42 67-01	1		
14	501 54 41-02	1		
15	503 27 21-01	1		
16	503 75 24-01	1		
17	503 93 24-71	1	3/8"x7T	
17	503 93 24-72	1	3/8"x8T	
18	501 59 80-02	1	3/8"x7T	17
18	505 30 36-61	1	3/8"x8T	17
19	503 43 20-01	1	3/8"	17
20	503 74 44-01	1		
21	537 36 06-01	3		
22	503 23 00-59	1		

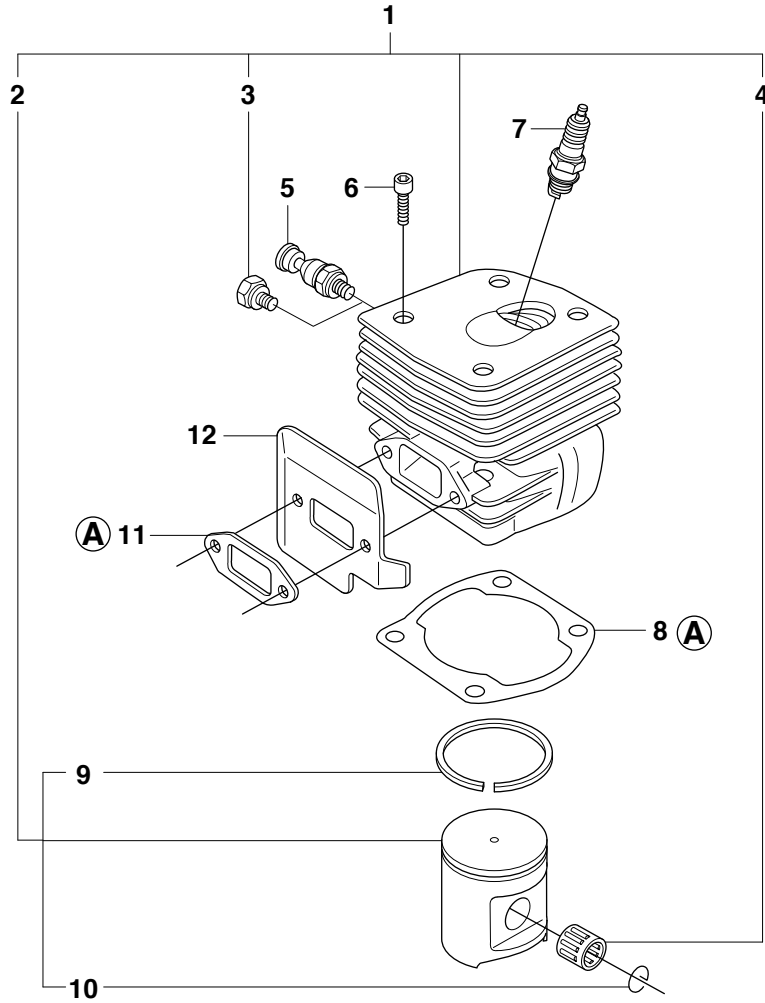
C 372
CYLINDER COVER



CYLINDER COVER

Position	Article	Quantity	Notes	Kit
1	503 62 78-07	1	Std	
1	503 62 78-08	1	Hd	1
2	503 98 74-01	1		1
3	503 20 34-25	3		1
4	503 62 80-01	1	Std	1
4	503 81 77-01	1	Hd	1
5	503 74 01-02	2		1
6	537 01 65-01	1		

D 372
CYLINDER PISTON



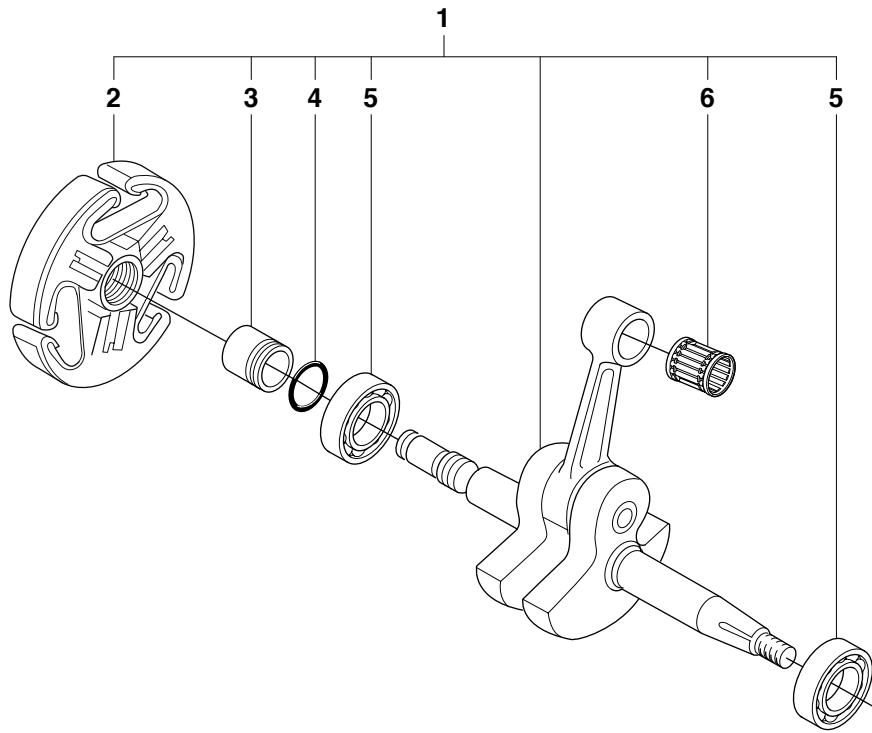
13

(A) 503 64 72-01
Set of gaskets

CYLINDER PISTON

Position	Article	Quantity	Notes	Kit
1	503 62 64-73	1		
1	503 93 93-72	1	372 EPA, EU	
2	503 69 12-71	1		1
2	503 93 92-71	1	372 EPA, EU	1
3	503 55 22-01	1		1
4	503 25 56-01	1		1
5	503 71 53-01	1		
6	725 53 33-55	4		
7	503 23 51-08	1	RCJ 7Y	
8	503 96 15-01	1		13
9	503 28 90-42	1		1, 2
9	503 28 90-36	2	372 EPA, EU	1, 2
10	737 43 12-00	2		1, 2
11	503 77 59-01	1		13
12	503 77 58-02	1		
13	503 64 72-01	1	A = Set of gaskets	

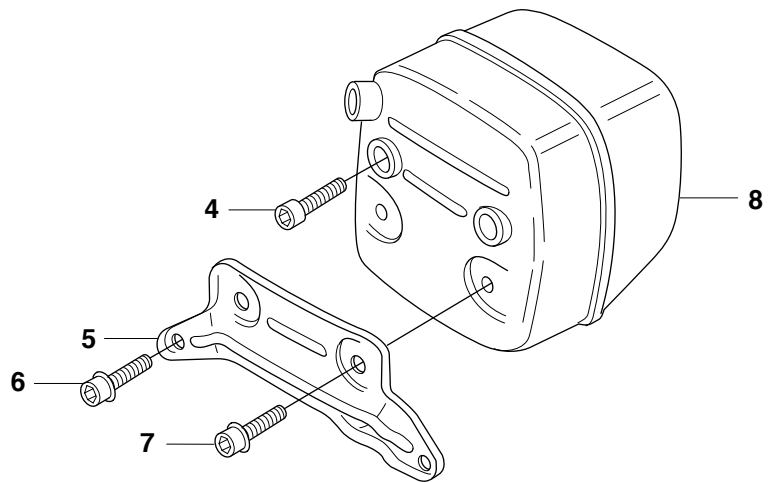
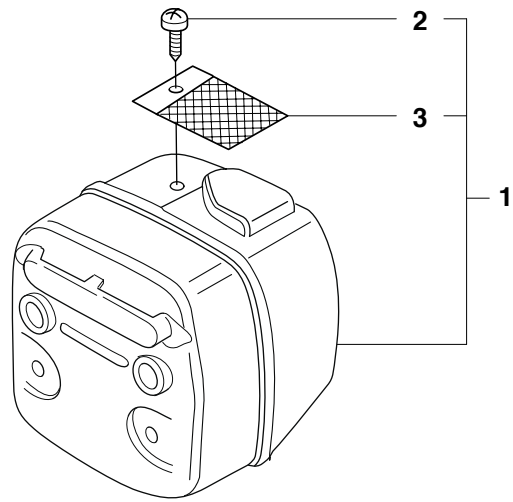
E 372
CRANKSHAFT



CRANKSHAFT

Position	Article	Quantity	Notes	Kit
1	503 74 87-03	1		
2	503 74 44-01	1		1
3	503 77 91-01	1		1
4	503 26 30-19	1		1
5	738 22 02-25	2		1
6	503 25 56-01	1		1

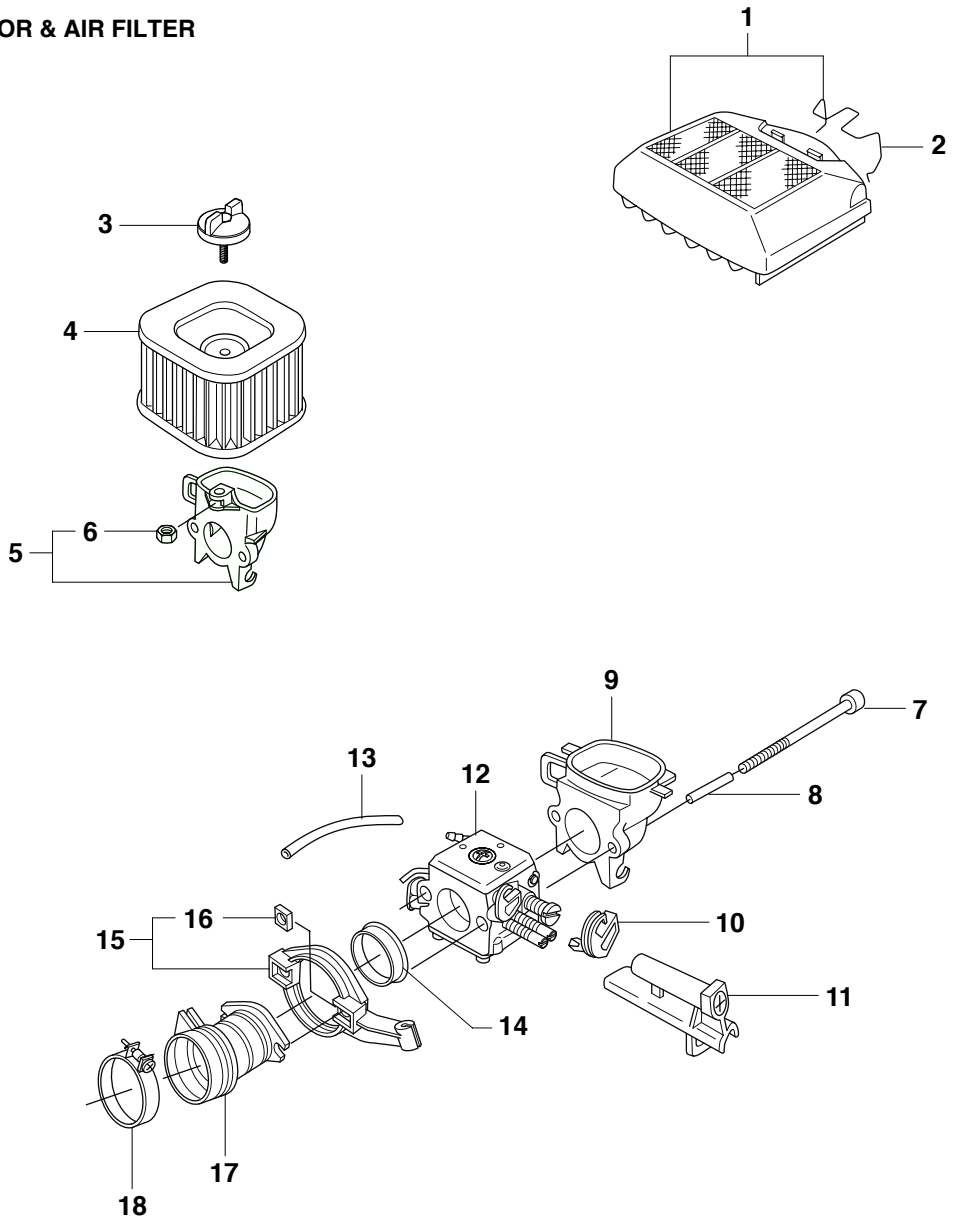
F 372
MUFFLER



MUFFLER

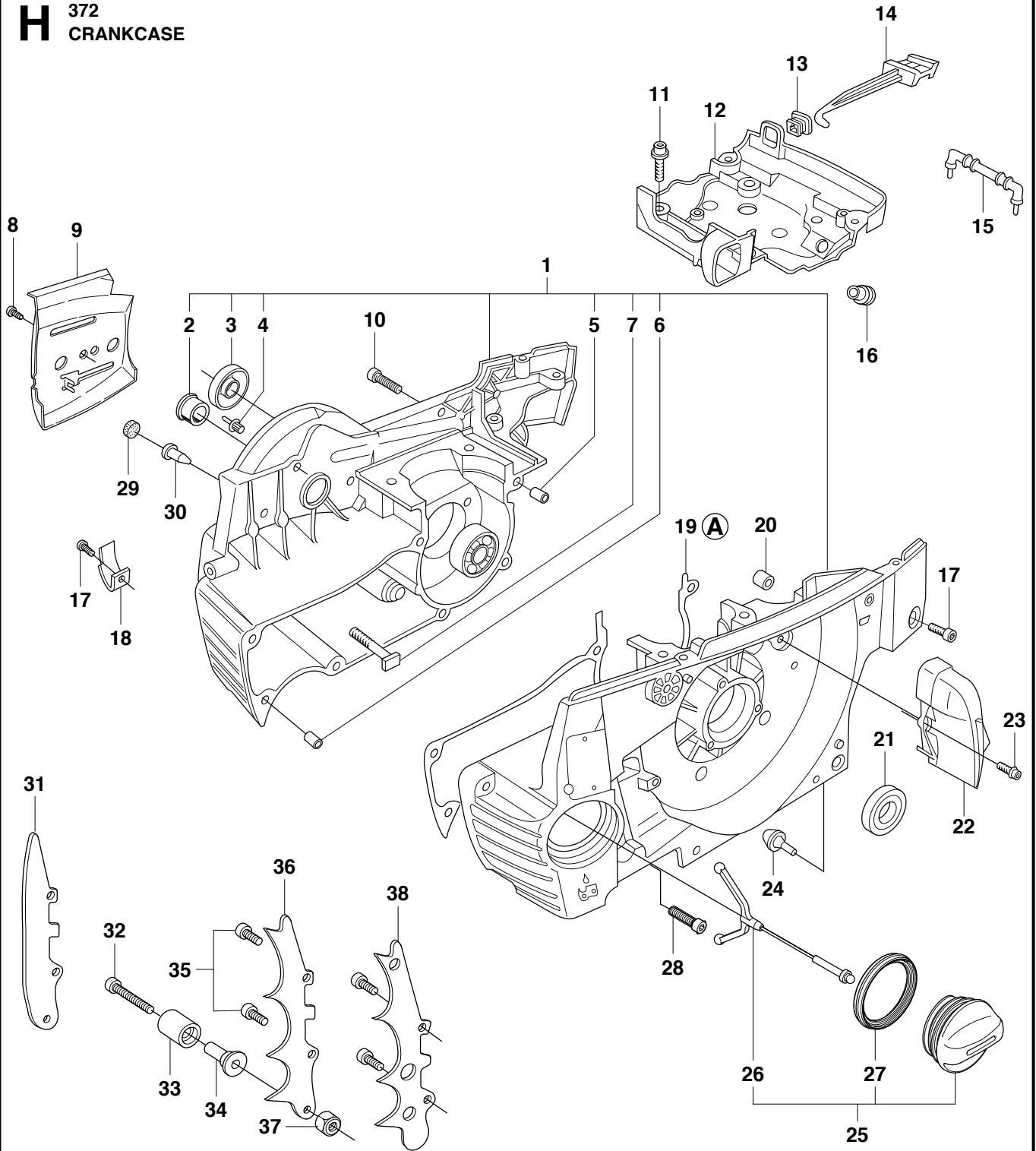
Position	Article	Quantity	Notes	Kit
1	544 02 97-02	1	DF	
2	724 12 87-59	1		1
3	503 76 64-02	1		1
4	725 53 70-55	2		
5	503 76 65-03	1		
6	503 20 07-74	2		
7	503 20 07-02	2		
8	544 02 95-01	1	Tube	
8	544 02 95-02	1	Jungle	

G 372
CARBURETOR & AIR FILTER



Position	Article	Quantity	Notes	Kit
1	575 26 91-01	1	80 μ	
1	575 26 91-02	1	44 μ	
1	575 26 91-03	1	Felt	
2	503 73 54-01	1		
3	537 21 32-04	1		
4	503 81 80-05	1	80 μ	
4	503 81 80-06	1	44 μ	
4	503 81 80-04	1	Felt	
5	503 81 78-01	1		
6	731 23 14-01	1		5
7	725 53 05-55	2		
8	503 70 11-01	2		
9	503 62 75-01	1		
10	503 68 41-01	1		
11	503 66 53-01	1		
11	503 66 74-01	1	EPA, EU	
12	503 28 18-04	1		
12	503 28 18-05	1	EPA, EU	
13	503 40 06-06	1		
14	503 43 18-01	1		
15	503 71 27-01	1		
16	503 22 65-03	2		15
17	503 96 45-02	1	RU	
17	503 96 45-01	1		
18	505 28 33-01	1		

H 372
CRANKCASE



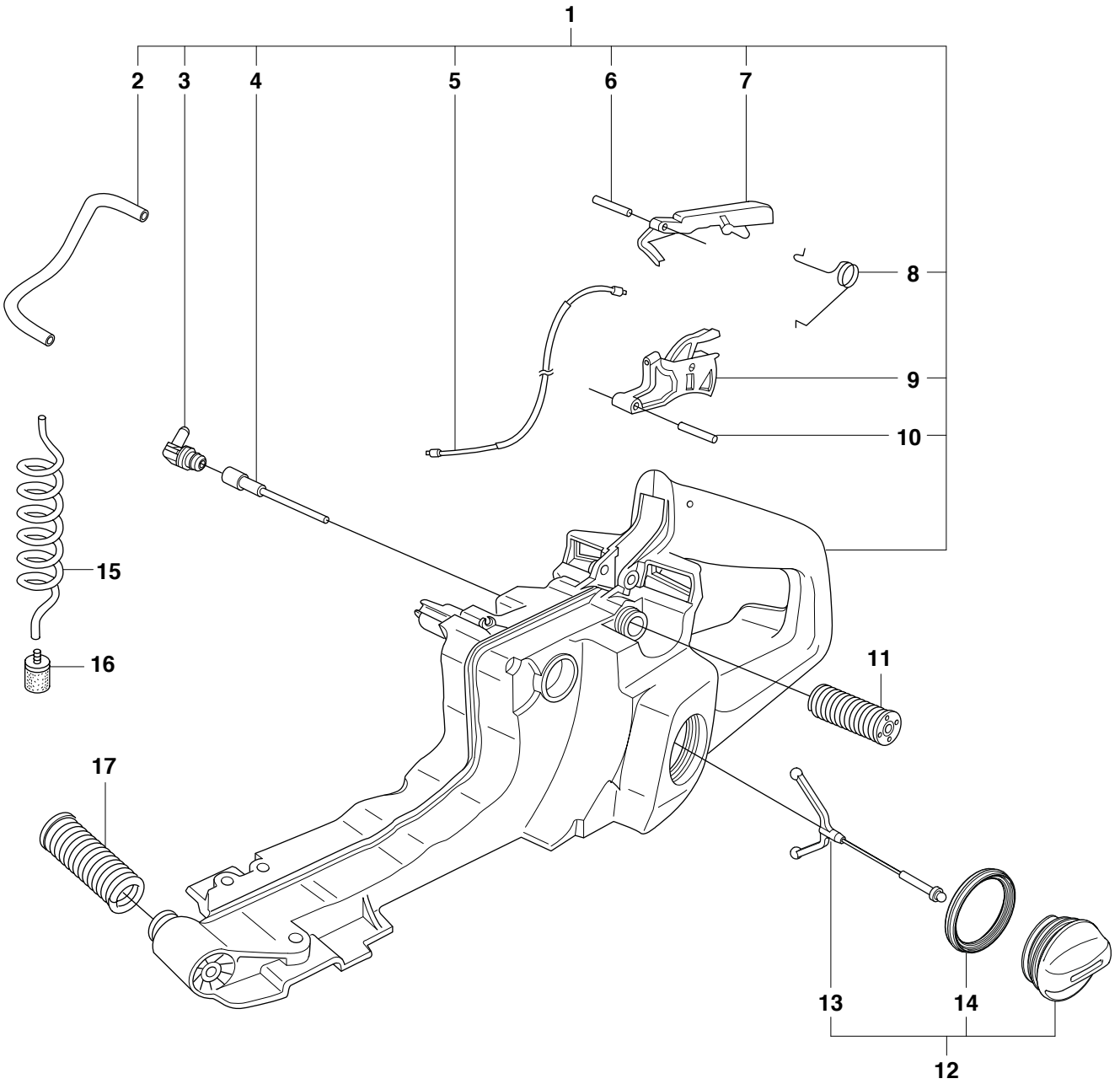
39

A 503 64 72-01
Set of gaskets

CRANKCASE

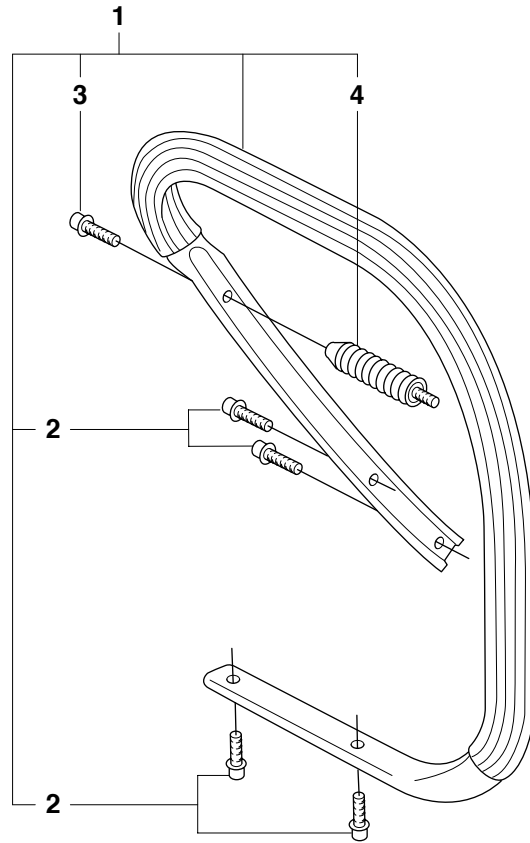
Position	Article	Quantity	Notes	Kit
1	503 62 68-76	1		
2	503 96 70-01	1		1
3	503 26 03-01	1		1
4	503 75 18-01	1		1
5	501 27 08-01	1		1
6	501 27 08-01	1		1
7	537 05 13-01	2		1
8	503 21 28-10	1		
9	537 04 66-01	1		
10	503 74 93-01	1		
11	503 20 02-12	4		
12	503 62 73-03	1		
13	503 73 44-01	1		
14	503 62 77-01	1		
15	503 67 86-01	1		
16	537 09 54-01	1		
17	725 53 31-65	2		
18	501 68 68-01	1		
19	503 62 72-01	1		39
20	503 85 73-01	1		
21	505 27 57-19	1		
22	503 62 84-01	1		
23	503 20 02-12	1		
24	503 84 61-01	1		
25	537 21 52-02	1		
26	503 57 89-01	1		25
27	537 21 50-01	1		25
28	503 20 08-70	6		
29	537 40 35-01	1		
30	530 02 61-19	1		
31	537 04 29-01	1		
32	503 20 07-80	1		
33	537 02 44-01	1		
34	537 08 92-01	1		
35	503 20 02-16	2		
36	537 01 71-01	1		
37	503 22 24-01	1		
38	503 64 79-02	1		
39	503 64 72-01	1	A = Set of gaskets	

J 372
FUEL TANK



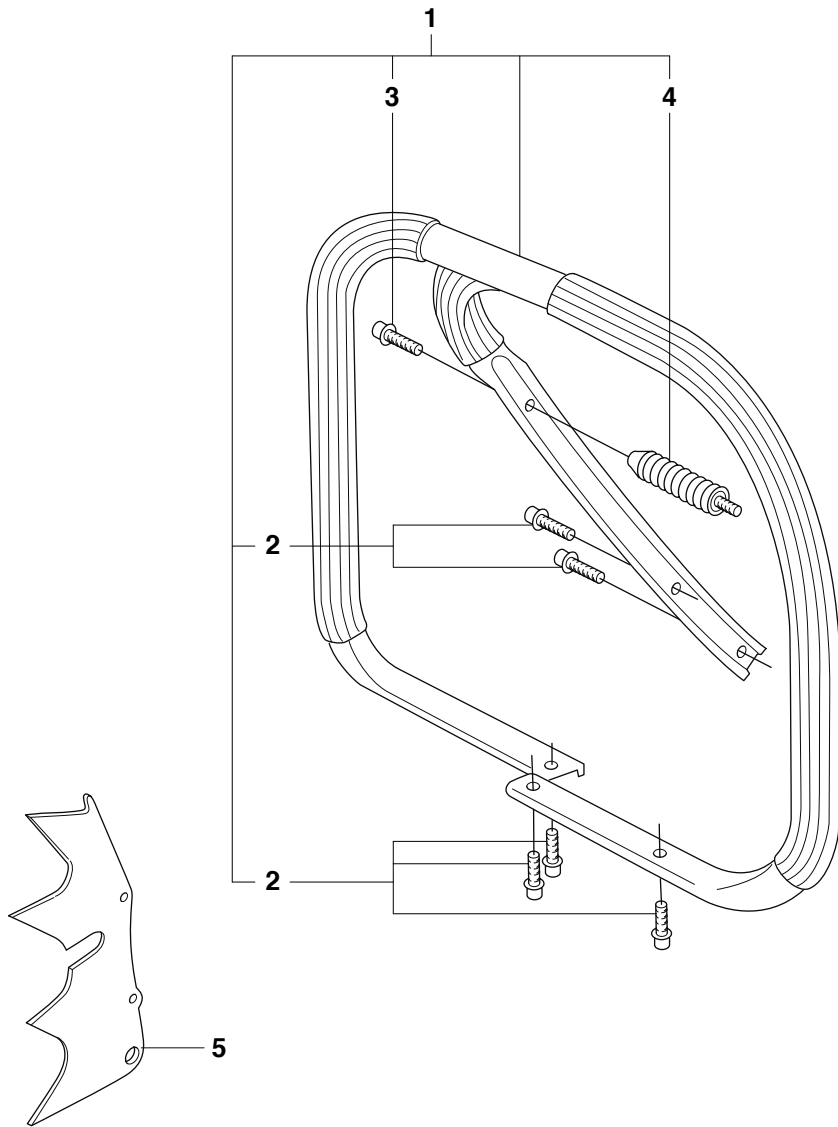
Position	Article	Quantity	Notes	Kit
1	544 11 40-07	1		
2	544 32 49-06	1		1
3	537 09 93-01	1		1
4	537 09 22-01	1		1
5	503 71 76-01	1		1
6	720 12 40-20	1		1
7	503 55 66-01	1		1
8	503 73 64-01	1		1
9	503 82 98-01	1		1
10	720 12 72-20	1		1
11	503 89 56-01	1	Std	
11	503 89 56-02	1	Hard	
12	537 21 52-02	1		
13	503 57 89-01	1		12
14	537 21 50-01	1		12
15	544 32 50-02	1		
16	503 44 32-01	1		
17	503 63 76-01	1	Std	
17	503 63 76-02	1	Hard	

K1 372
HANDLE



Position	Article	Quantity	Notes	Kit
1	503 62 67-71	1		
2	503 21 49-16	4		1
3	503 21 05-22	1		1
4	503 63 75-02	1	Std	1
4	503 63 75-03	1	Hard	

K2 ³⁷² HANDLE

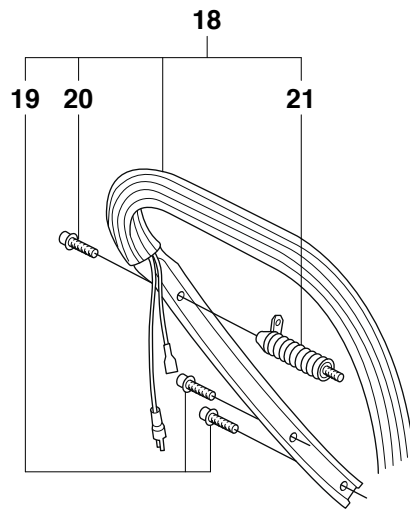
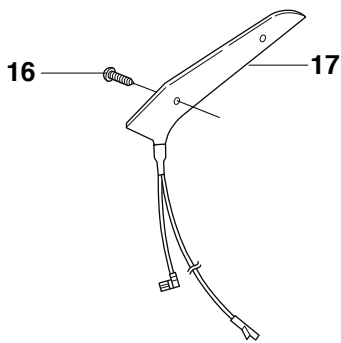
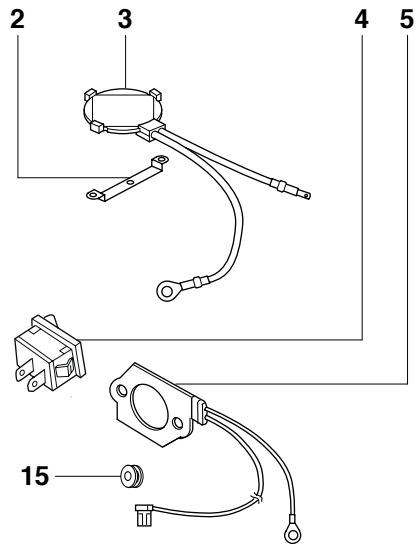
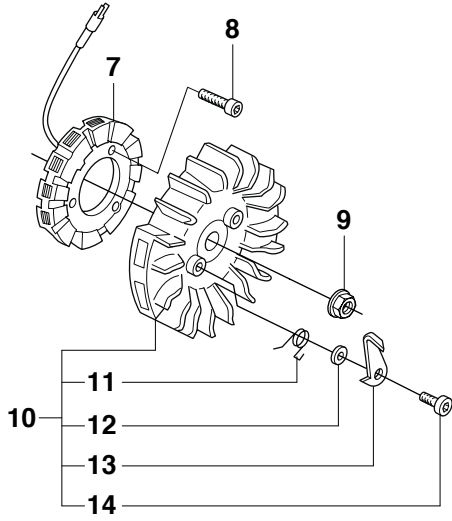


Position	Article	Quantity	Notes	Kit
1	503 62 86-71	1	WRAP	
1	503 62 86-02	1	WA G	
2	503 21 49-16	5		1
3	503 21 05-22	1		1
4	503 63 75-02	1		1
5	537 01 72-01	1		

L1

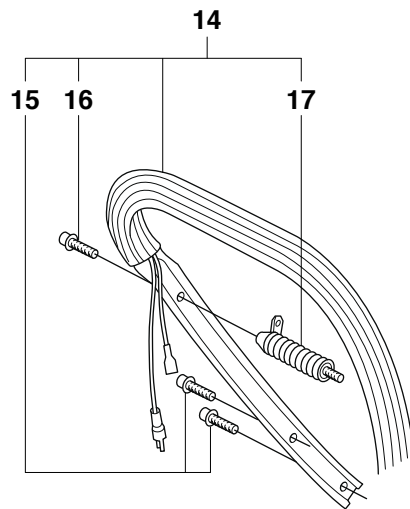
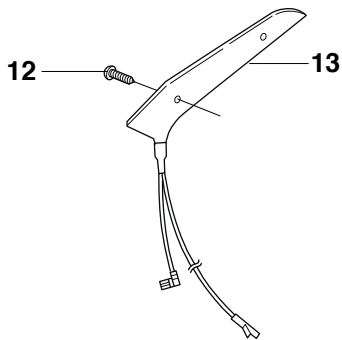
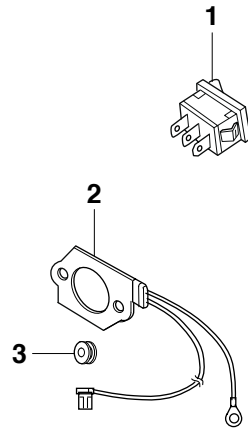
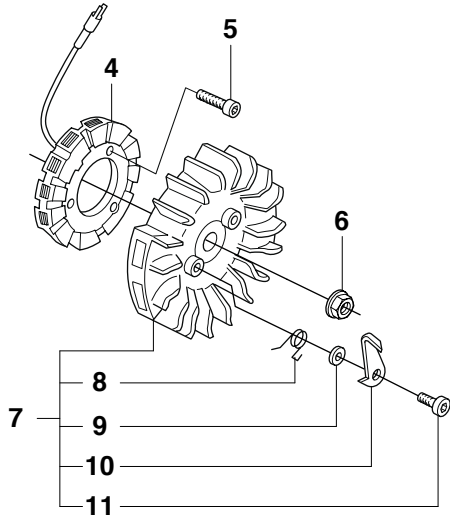
372

HEATED HANDLES/HEATED CARB. THERMOSTAT



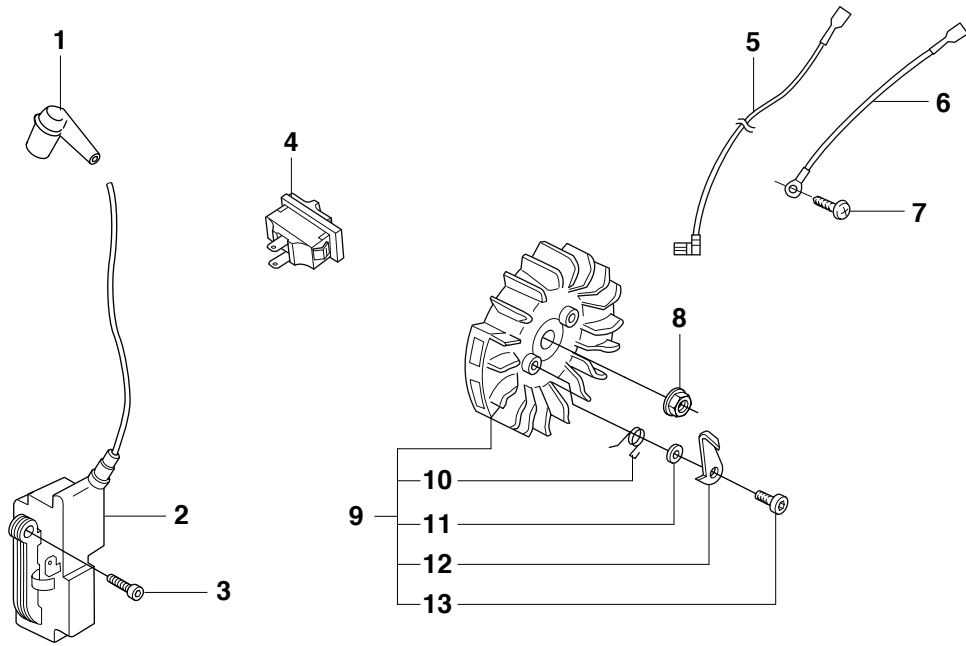
Position	Article	Quantity	Notes	Kit
2	537 06 04-01	1		
3	537 18 98-01	1		
4	503 55 49-01	1		
5	537 07 14-02	1		
7	537 07 18-02	1		
8	503 20 26-16	3		
9	503 22 04-01	1		
10	537 05 16-06	1		
11	501 67 35-01	1		10
12	503 23 00-42	1		10
13	537 01 55-01	1		10
14	501 81 99-01	1		10
15	501 43 00-01	1		
16	503 21 38-01	1		
17	503 70 59-01	1		
18	503 62 67-72	1		
19	503 21 49-16	4		18
20	503 21 05-22	1		18
21	503 68 45-02	1		18

L2 372
HEATED HANDLES/HEATED CARB. MANUAL



Position	Article	Quantity	Notes	Kit
1	503 64 02-01	1		
2	537 15 37-01	1		
3	501 43 00-01	1		
4	501 80 24-03	1		
5	503 20 26-16	3		
6	503 22 04-01	1		
7	537 05 16-04	1		
8	501 67 35-01	1		7
9	503 23 00-42	1		7
10	537 01 55-01	1		7
11	501 81 99-01	1		7
12	503 21 38-01	1		
13	503 70 59-01	1		
14	503 62 67-72	1		
15	503 21 49-16	4		14
16	503 21 05-22	1		14
17	503 68 45-02	1		14

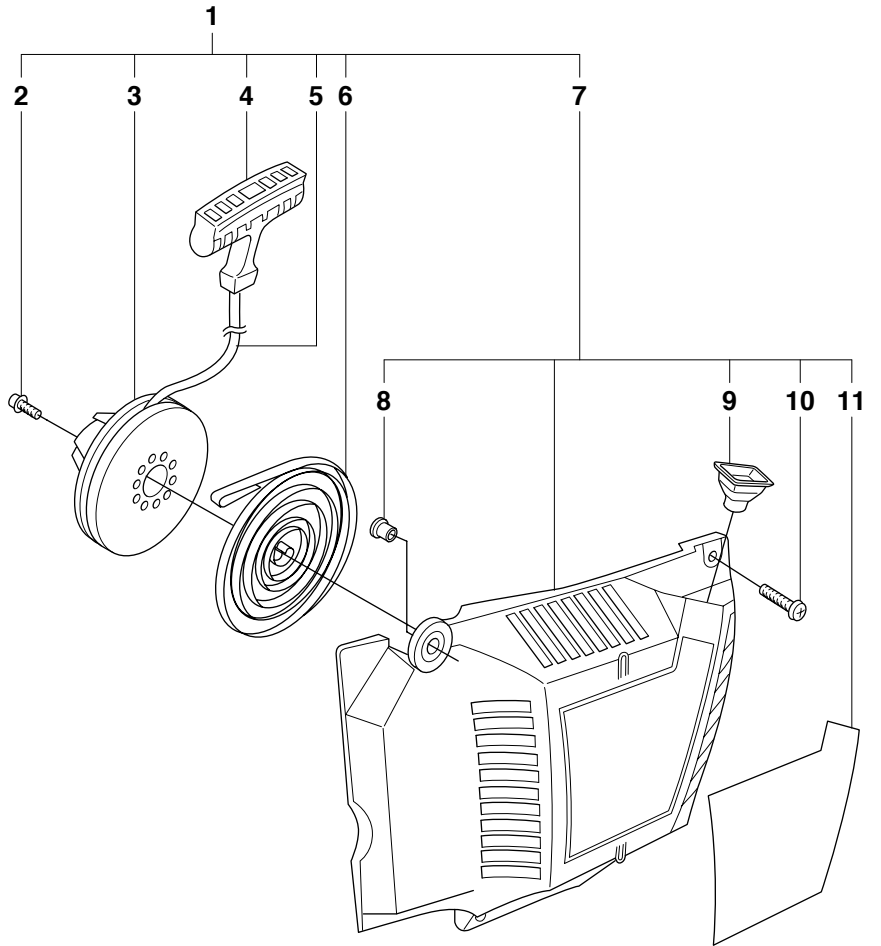
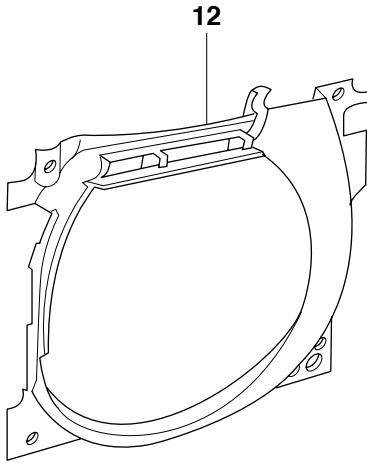
M 372
IGNITION SYSTEM



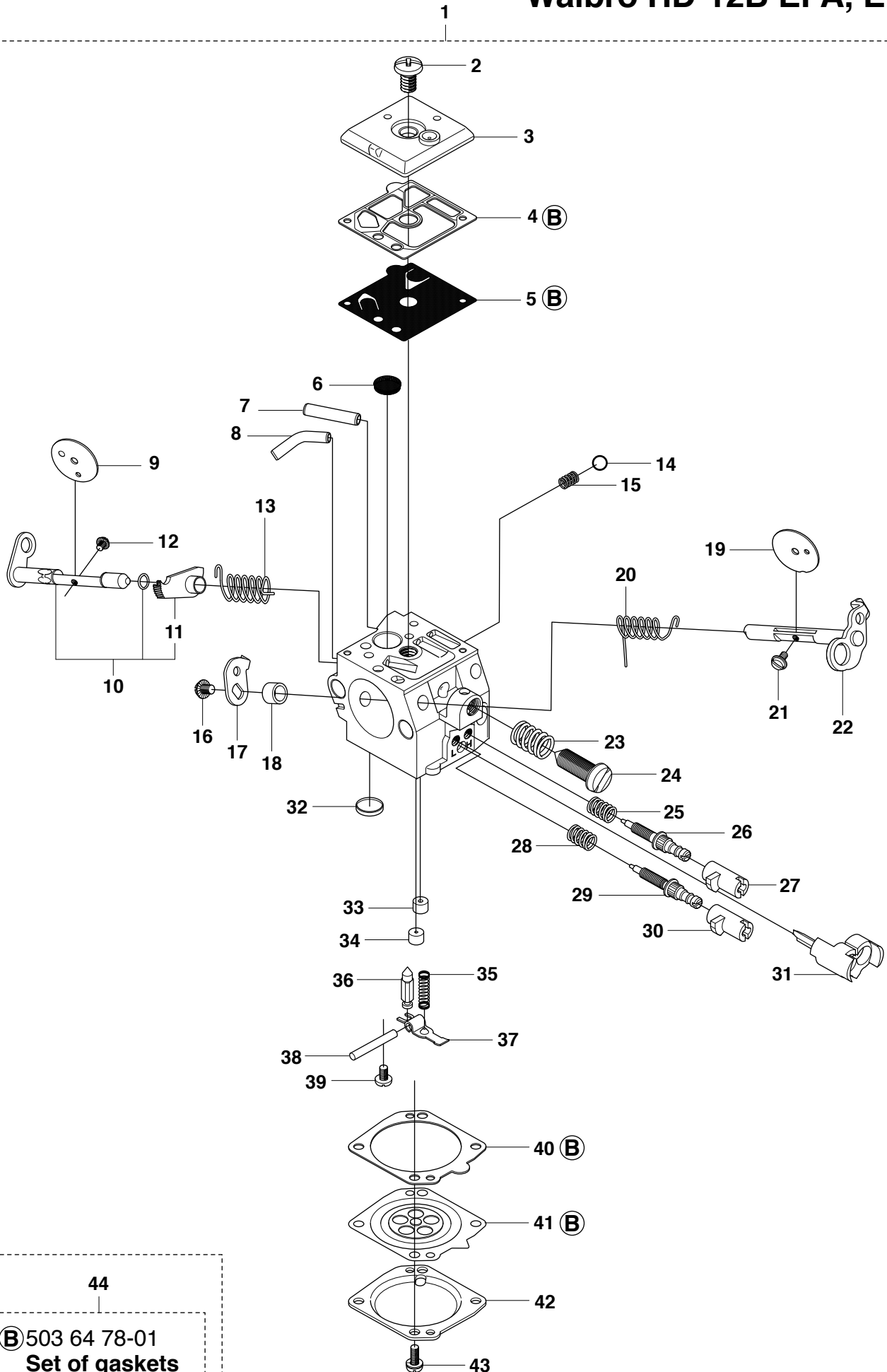
IGNITION SYSTEM

Position	Article	Quantity	Notes	Kit
1	501 48 54-02	1		
2	544 04 71-01	1		
2	510 11 57-01	1	COT, EPA, EU	
3	503 20 02-20	2		
4	503 71 82-01	1		
5	503 62 61-01	1		
6	503 89 76-01	1		
7	503 21 28-10	1		
8	503 22 04-01	1		
9	537 05 16-05	1		
10	501 67 35-01	2		9
11	503 23 00-42	2		9
12	537 01 55-01	2		9
13	501 81 99-01	2		9

N 372
STARTER



Position	Article	Quantity	Notes	Kit
1	503 62 81-71	1		
2	503 21 52-16	1		1
3	503 85 96-01	1		1
4	503 54 39-01	1		1
5	503 43 29-02	1		1
6	503 78 72-01	1		1
7	503 62 82-01	1		1
8	537 08 67-01	1		1, 7
9	501 63 06-01	1		1, 7
10	544 08 03-01	4		1, 7
11	537 23 02-01	1	XP	1, 7
11	537 23 02-06	1	XPG	1, 7
12	503 62 83-01	1		

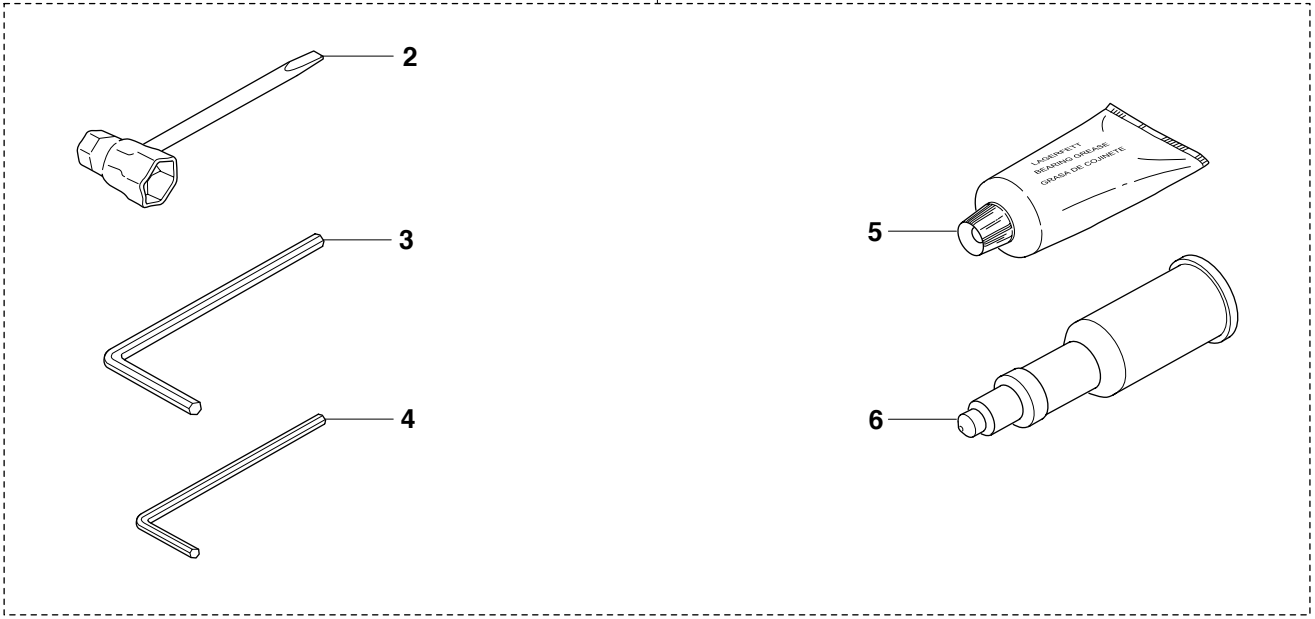


(B) 503 64 78-01
Set of gaskets

Position	Article	Quantity	Notes	Kit
1	503 28 18-04	1		
1	503 28 18-05	1	EPA, EU	
2	501 46 69-01	1		
3	503 79 98-01	1		
4	501 66 69-01	1		1, 44
5	502 25 47-01	1		1, 44
6	501 66 61-01	1		
7	503 85 59-01	1		
8	503 80 14-01	1		
9	503 85 58-01	1		
10	537 01 91-01	1		
11	537 01 89-01	1		1, 10
12	501 46 87-01	1		
13	537 01 90-01	1		
14	501 46 85-01	1		
15	501 46 84-01	1		
16	501 46 87-01	1		
17	503 79 96-01	1		
18	503 80 15-01	1		
19	503 80 00-01	1		
20	503 80 09-01	1		
21	530 03 50-15	1		
22	503 79 99-01	1		
23	501 66 78-01	1		
24	503 80 08-01	1		
25	501 66 77-01	1		
26	503 80 11-01	1	H	
26	503 94 39-01	1	H EPA, EU	
27	503 91 39-01	1	EPA, EU	
28	501 66 77-01	1		
29	504 02 72-13	1	L	
29	503 94 38-01	1	L EPA, EU	
30	503 91 40-01	1	EPA, EU	
31	503 91 54-01	1	EPA, EU	
32	503 57 42-01	1		
33	503 80 04-01	1		
33	503 94 36-01	1	EPA, EU	
34	503 68 82-01	1		
34	537 00 33-01	1	EPA, EU	
35	503 56 24-01	1		
35	503 94 37-01	1	EPA, EU	
36	503 56 34-01	1		
37	501 66 83-01	1		
38	505 52 01-25	1		
39	505 31 67-17	1		
40	504 13 09-05	1		1, 44
41	503 80 07-01	1		1, 44
42	537 07 76-01	1		
43	503 10 87-01	4		
44	503 64 78-01	1	B = Set of gaskets	

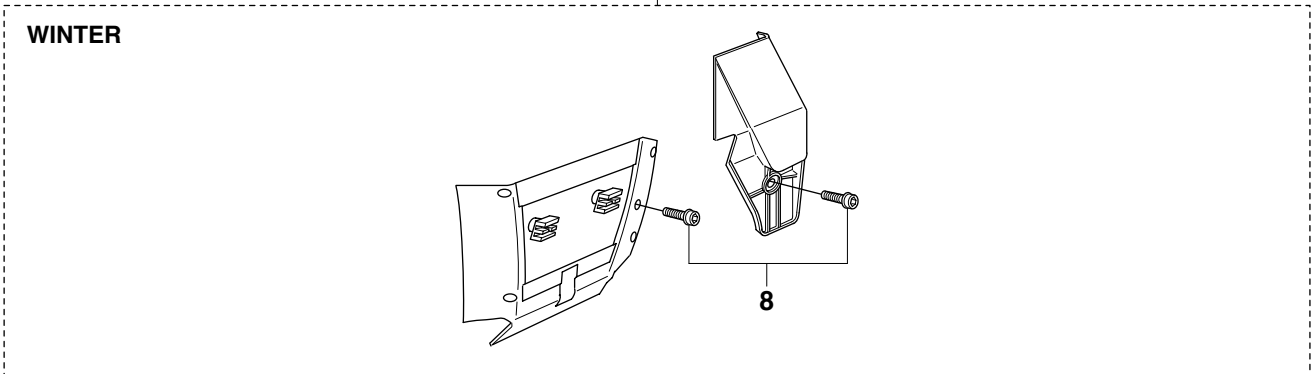
Q 372
ACCESSORIES

1



7

WINTER



ACCESSORIES

Position	Article	Quantity	Notes	Kit
1	503 55 85-01	1		
2	501 69 17-01	1		1
3	503 55 86-02	1	NV5	1
4	503 55 86-01	1	NV4	1
5	503 62 12-01	1		1
6	501 91 14-01	1		1
7	503 96 90-08	1	WINTER	
8	503 21 27-16	1		7