



BOSCH

Compound Mitre Saw

3918 | 3 601 F6B 310

Table of Content

Spare parts list.....	2
Illustration - Type.....	7

Compound Mitre Saw | 3918 | 3 601 F6B 310

Spare parts list				
Item	Part Number	Description		Illustration
1	2 610 907 835	Motor Housing		1
2	2 610 942 109	Pole housing	14;4-24V	1
3	2 610 909 086	Armature		1
4	2 610 997 469	On-Off Switch		1
8	2 610 933 732	Nameplate		1
12	2 610 912 535	Bearing Sleeve		1
13	2 610 912 536	groove ball bearing		1
16	2 610 912 538	Brush Holder		1
17	2 610 912 539	Connecting Cable		1
18	2 610 912 540	Connecting Cable		1
19	2 610 907 837	Baffle		1
20	2 610 912 541	Pin		1
26	2 610 912 543	Clip		1
27	2 610 907 834	Button		1
28	2 610 912 544	Spring Washer		1
29	2 615 296 765	Screw		1
30	2 610 907 832	Lever		1
31	2 615 303 036	Screw		1
32	2 610 910 545	Screw		1
34	2 610 912 546	groove ball bearing		1
35	2 610 912 547	Needle-Roller Bearing		1
36	2 610 907 840	Linkage part		1
37	2 610 910 849	Collar		1
38	2 610 907 844	Cover		1
43	2 610 992 376	Spring		1
49	2 610 912 552	Screw		1
59	2 610 910 842	Pivot		1
60	2 610 908 274	Shaft		1
61	2 610 908 275	Spring		1
62	2 610 910 781	Screw		1
63	2 610 328 605	Screw		1
64	2 610 912 555	Knob		1
66	2 610 911 465	Washer		1
68	2 610 912 556	Retaining snap ring		1
69	2 615 297 323	Screw		1

Compound Mitre Saw | 3918 | 3 601 F6B 310

Spare parts list

Item	Part Number	Description	Illustration	
74	2 610 933 734	Warning Label	1	
78	2 610 910 797	Screw	1	
80	2 610 910 956	Sticker	1	
81	2 610 910 784	Screw	1	
82	2 610 908 261	Pivot Plate	1	
84	2 610 907 828	Gear Housing	1	
85	2 610 907 836	Cover	1	
87	2 610 912 557	Screw	1	
92	2 610 912 558	Screw	1	
96	2 610 908 266	Protection cover	1	
97	2 610 933 733	Sticker	1	
98	2 610 907 843	Flap Guard	1	
99	2 610 911 461	Screw	1	
100	2 610 912 559	Retaining snap ring	1	
101	2 610 907 849	Washer	1	
102	2 610 907 848	Washer	1	
103	2 610 912 560	Torsion Spring	1	
104	2 610 910 753	Sleeve	1	
108	2 610 912 561	Reflector	1	
118	1 907 950 004	Offset Screwdriver	DIN 911, SW3	1
128	2 610 990 522	Bearing	1	
129	2 610 990 518	Roller	1	
132	2 610 907 818	Dummy	1	
140	2 610 912 562	Retaining snap ring	1	
143	2 610 911 456	Screw	1	
147	2 610 912 564	Grommet	1	
148	2 610 910 799	Screw	1	
149	3 608 098 501	Nut	1	
150	2 610 911 467	Stud bolt	1	
151	2 610 911 450	Washer	1	
152	2 610 907 845	Chip Deflector	1	
153	2 610 990 521	Spring retaining ring	1	
161	2 610 912 565	Wire	1	
162	2 610 912 566	Wire	1	
163	2 610 912 567	Wire	1	

Spare parts list

Item	Part Number	Description	Illustration
164	2 610 912 862	Grommet	1
650	2 607 225 033	Fast Charger USA 120/7,2-24V, 30 MIN.	1
651	2 607 335 717	Accumulator Battery 18V,2,4Ah, HD	1
652	2 610 907 853	Adjusting Wrench	1
654	2 610 910 876	Dust Bag	1
810	2 610 907 839	Carbon-Brush Set	1
811	2 610 933 743	Set Of Handles	1
821	2 610 907 859	Clip	1
833	2 610 912 568	Shaft	1
891	2 610 021 152	Service Kit	1
33	2 610 907 898	Warning Label	2
39	2 610 907 897	Warning Label	2
40	2 610 908 270	Washer	2
41	2 610 912 548	Screw	2
42	2 610 912 549	Hex Nut	2
44	2 610 907 820	Bracket	2
45	2 610 355 267	Screw	2
47	2 610 358 172	Nut	2
48	2 610 912 551	Nut	2
50	2 610 907 816	Base Plate	2
51	2 610 912 553	O-Ring	2
52	2 610 910 768	Retaining Pin	2
53	2 610 910 765	Compression Spring	2
54	2 610 910 838	Tensioning Lever	2
55	2 615 297 329	Washer	2
57	2 610 912 554	Knob	2
58	2 610 907 847	Locking Bolt	2
67	2 610 910 788	O-Ring	2
70	2 610 355 332	Square Nut	2
71	2 610 910 790	Screw	2
72	2 610 910 792	Washer	2
75	2 610 910 786	Set screw	2
77	2 610 910 760	Nut	2
79	2 610 905 940	Nut	2
83	2 610 910 779	Washer	2

Spare parts list

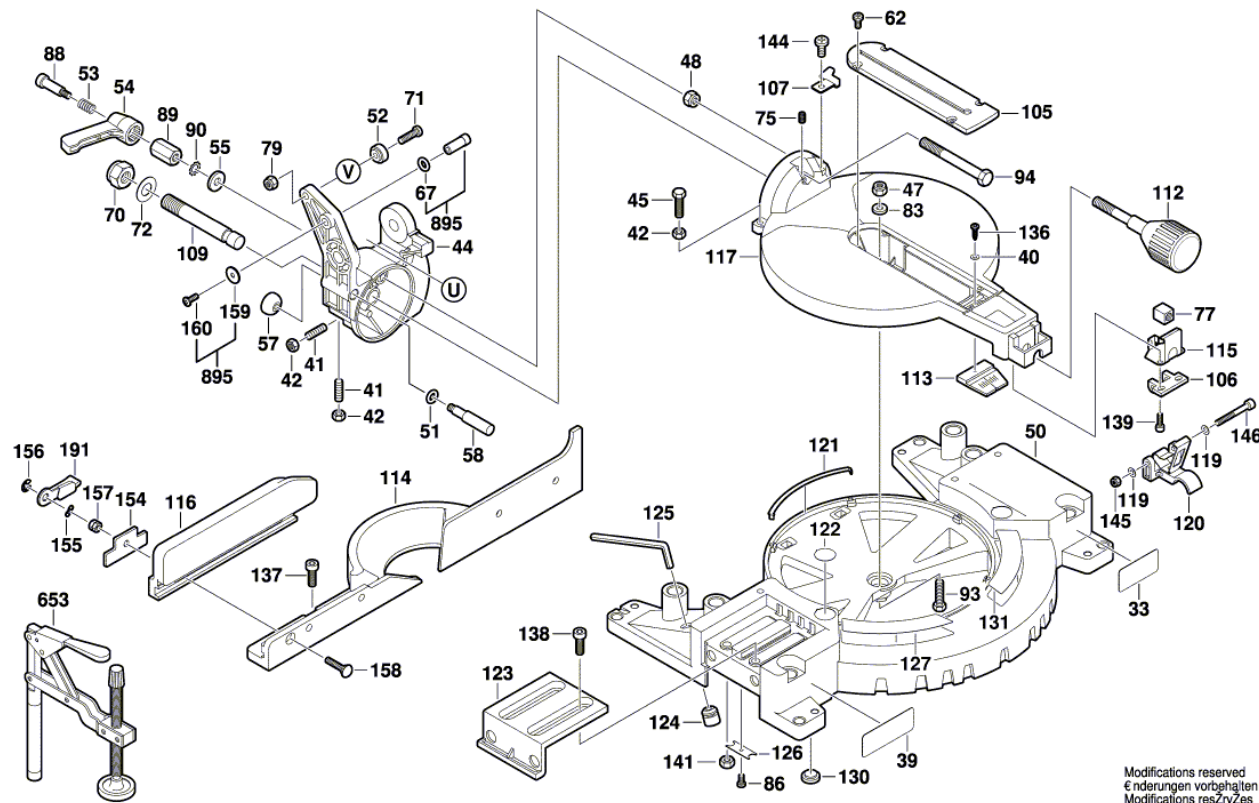
Item	Part Number	Description	Illustration
86	2 610 911 466	Screw M 8x0.8-10	2
88	2 610 910 762	Screw	2
89	2 610 910 766	Sleeve	2
90	2 610 355 264	Plain Washer	2
93	2 610 992 377	Stud bolt M8x1,25-30	2
94	2 610 910 778	Stud bolt	2
105	2 610 907 814	Insertion Plate	2
106	2 610 910 833	End Plate	2
107	2 610 907 852	Pointer	2
109	2 610 908 288	Shaft	2
112	2 610 907 850	Knob	2
113	2 610 907 846	Scale Plate	2
114	2 610 907 822	Riving Knife	2
115	2 610 916 122	Plate	2
116	2 610 907 824	Mitre Fence	2
117	2 610 907 813	Saw Table	2
119	2 610 309 996	Washer	2
120	2 610 910 775	Lever	2
121	2 610 907 854	Wear Plate	2
122	2 610 909 006	Warning Label	2
123	2 610 907 826	Extension Stand	2
124	2 610 911 470	Set Of Keys	2
125	2 610 355 777	Hexagon Socket Wrench	2
126	2 610 910 844	Threaded Plate	2
127	2 610 907 894	Warning Label	2
130	1 619 P03 548	Rubber Bushing	2
131	2 610 907 895	Warning Label	2
136	2 610 910 777	Screw	2
137	2 610 911 893	Screw	2
138	2 610 356 733	Screw	2
139	2 610 911 469	Screw	2
141	2 610 910 794	Hex Nut	2
144	2 610 910 782	Screw	2
145	2 610 910 774	Nut	2
146	2 610 910 776	Screw	2

Spare parts list

Item	Part Number	Description	Illustration
154	2 610 967 433	Clamping Plate	2
155	2 610 358 439	Plain Washer	2
156	2 610 967 438	Spring retaining ring	2
157	2 610 967 439	Nut	2
158	2 610 992 372	Stud bolt	2
159	2 610 027 372	Plain Washer	2
160	2 910 951 118	Oval-Head Screw DIN 7985-M4x8-8.8-H	2
191	2 610 967 432	Clamp	2
653	2 610 907 851	Drive-Machine Holder	2
895	2 610 914 374	Pin	2

Illustration - Type - E

0 601 663 439
 Issue | 11-03
 Stand | 02-03-15 **Fig./Abb. 2**



Modifications reserved
 Änderungen vorbehalten
 Modificaciones reservadas
 Salvo modificaciones