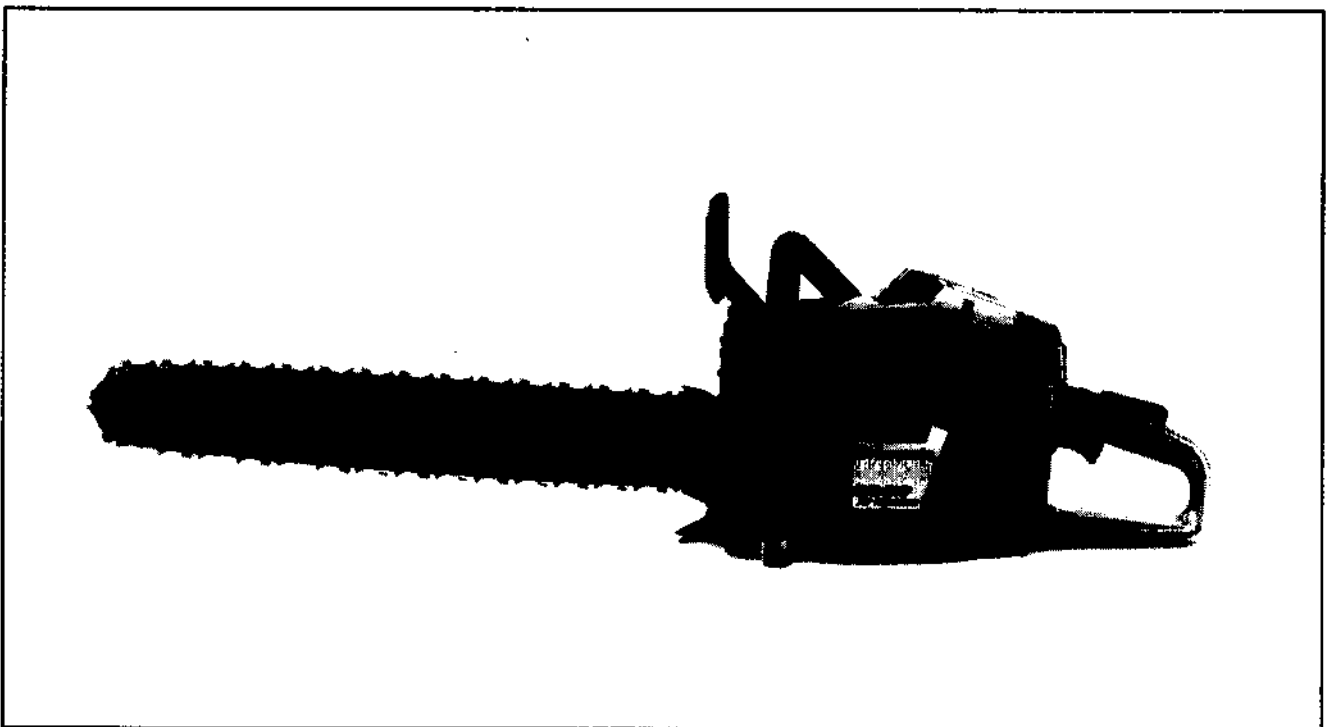


394



2.1992

Spare parts

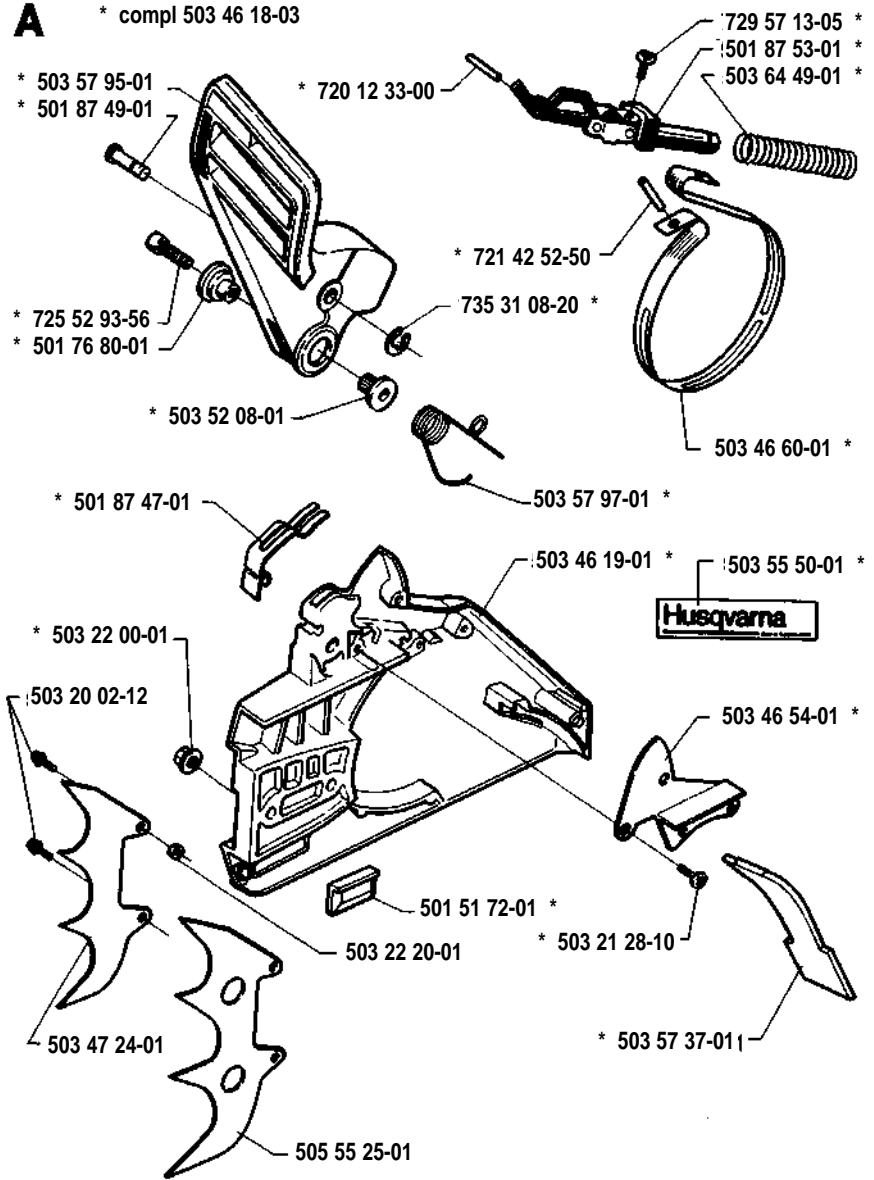
Ersatzteile

Pièces détachées

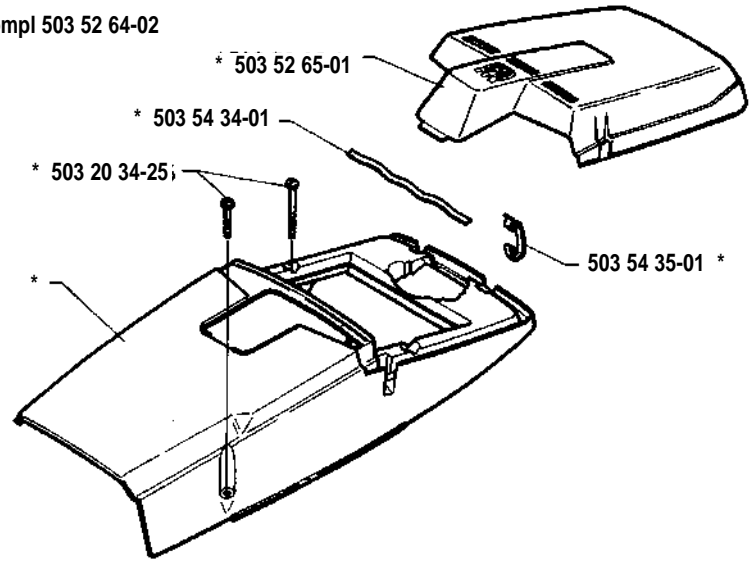
Repuestos

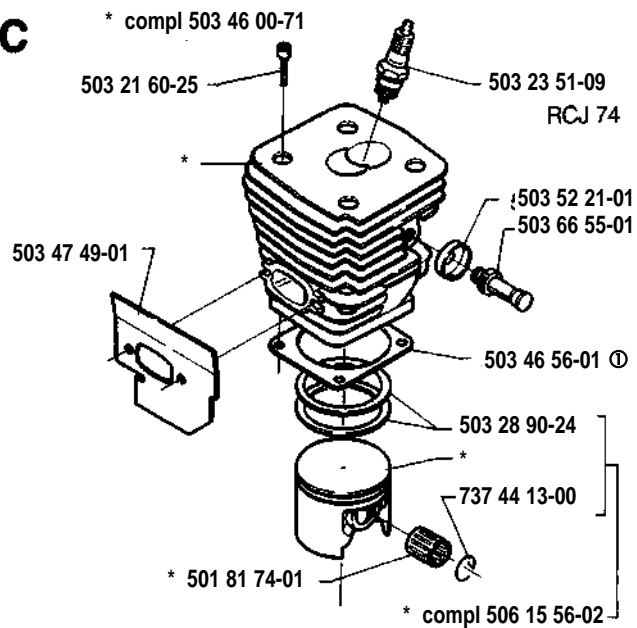
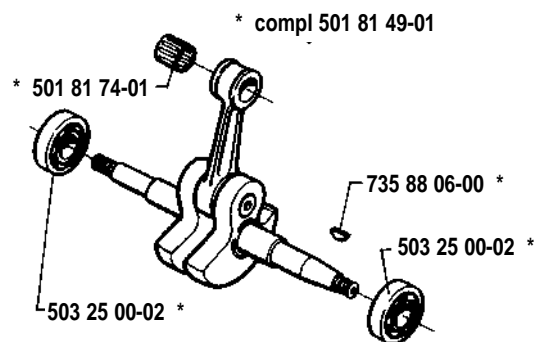
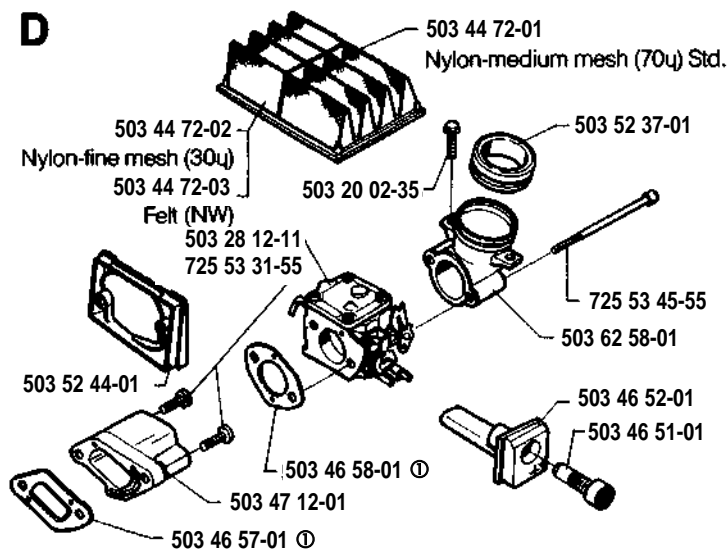
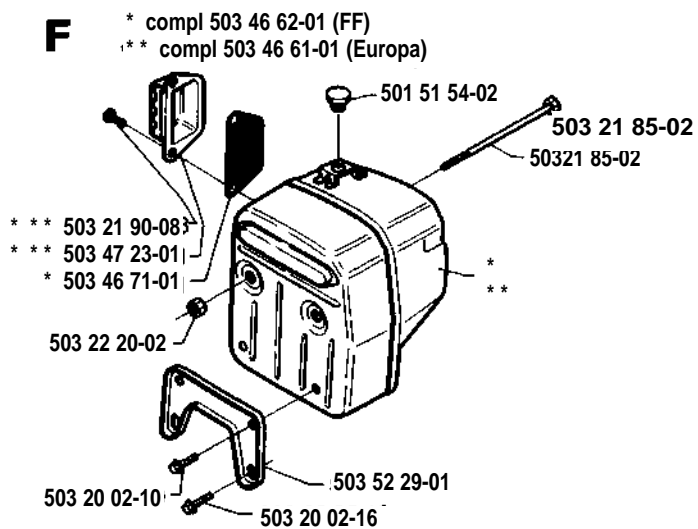
Reservdelar

A * compl 503 46 18-03

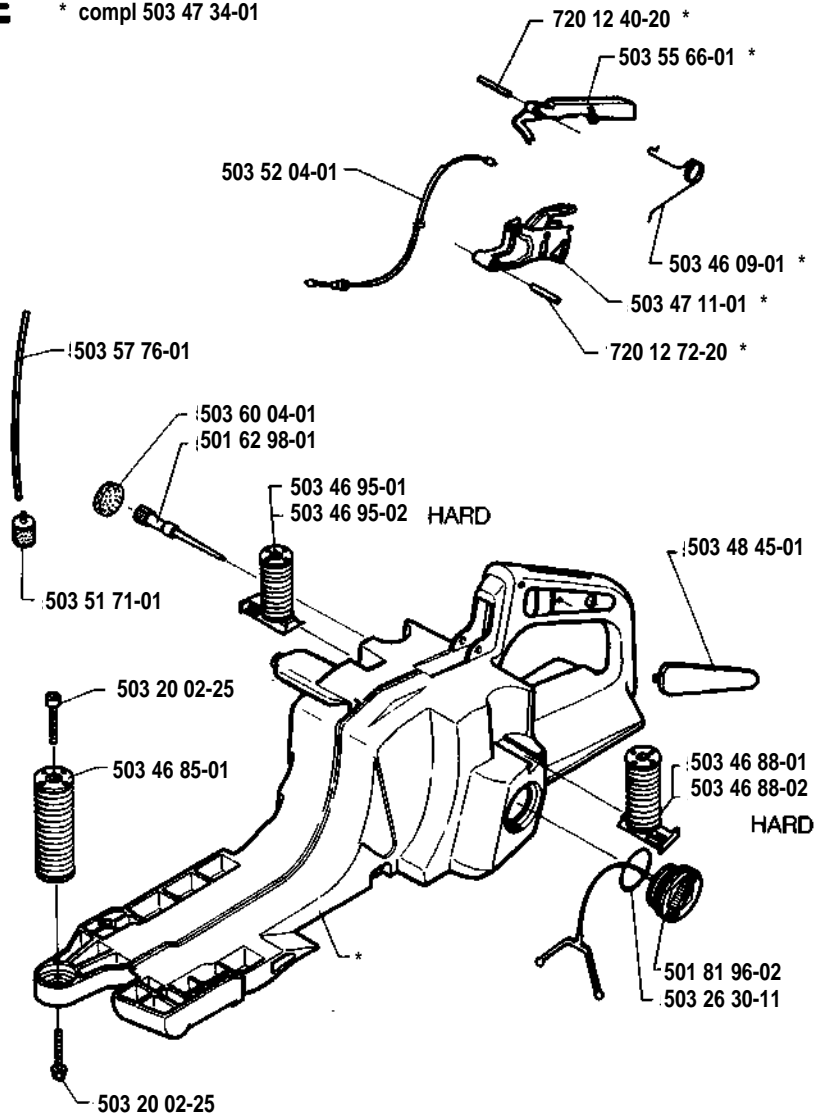


B * compl 503 52 64-02

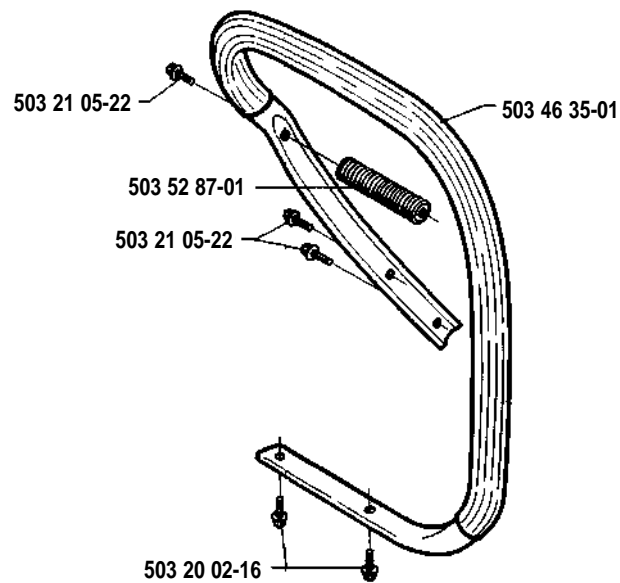


C**G****D****F**

E * compl 503 47 34-01

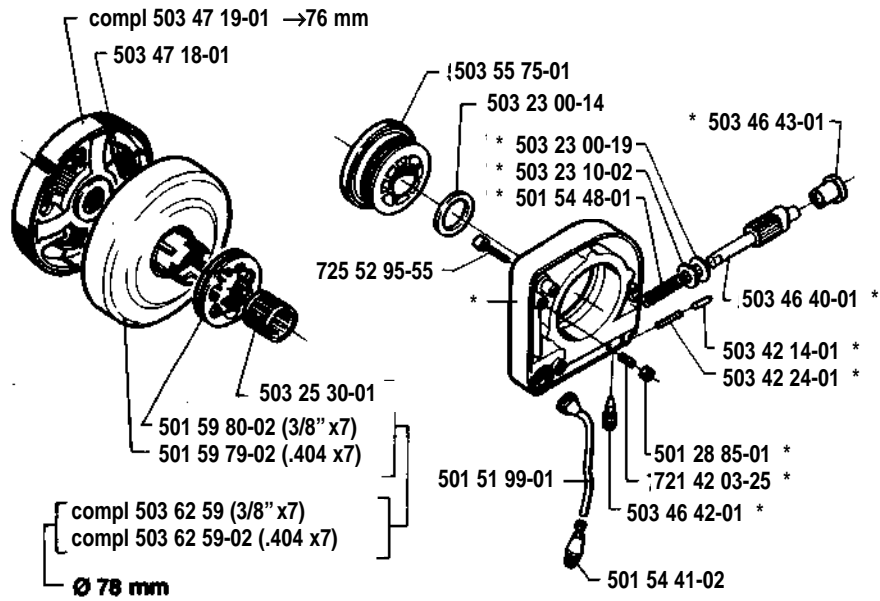
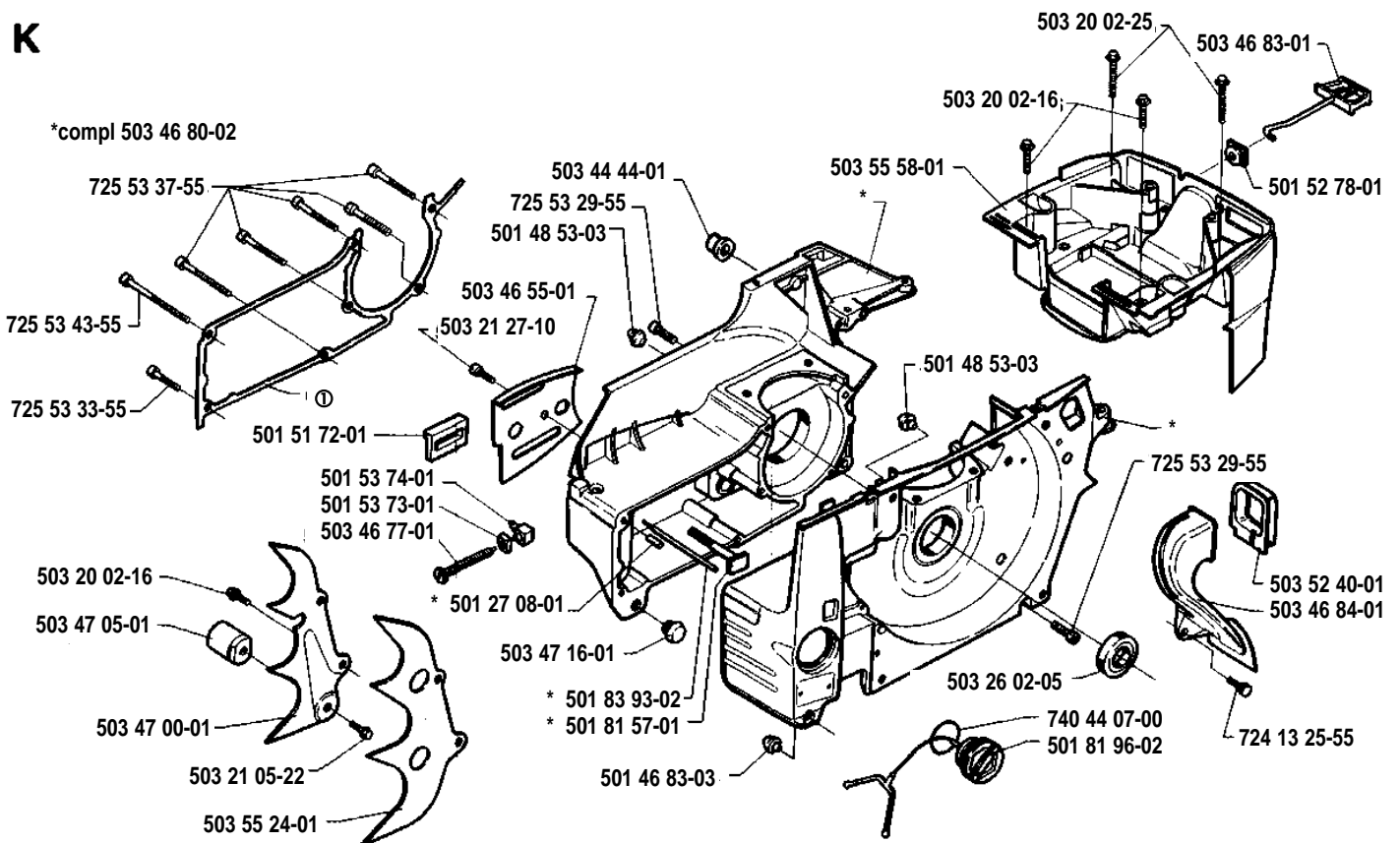


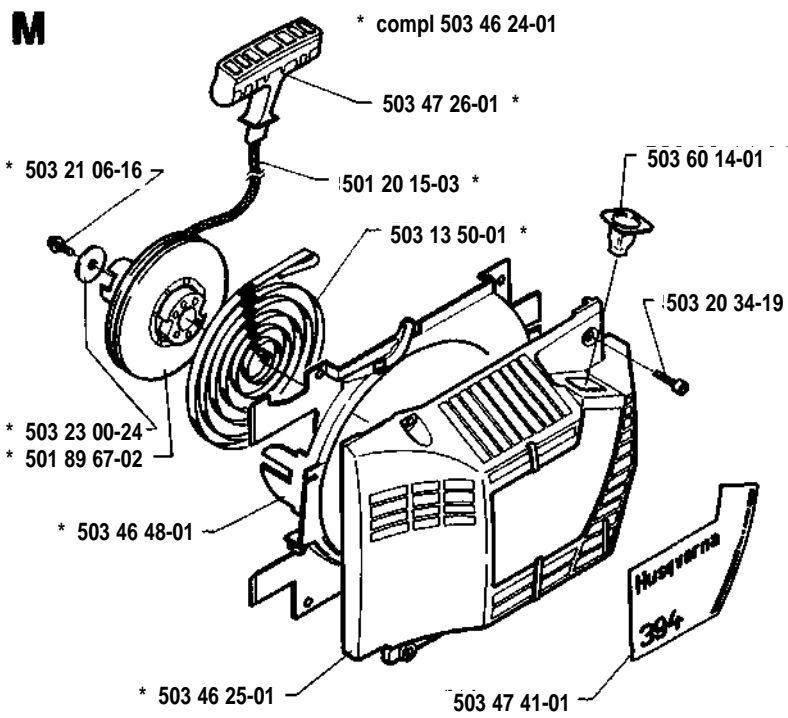
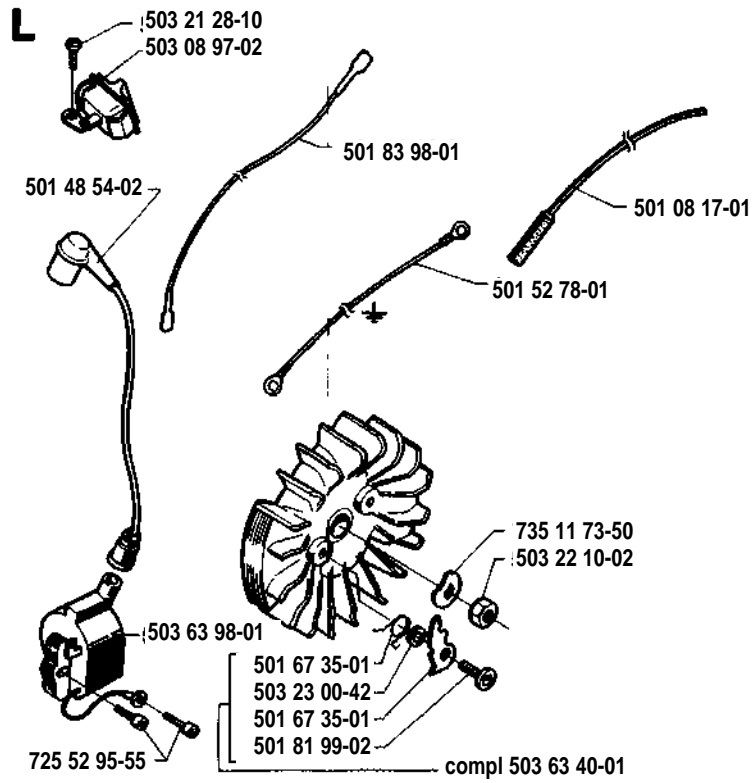
H



J

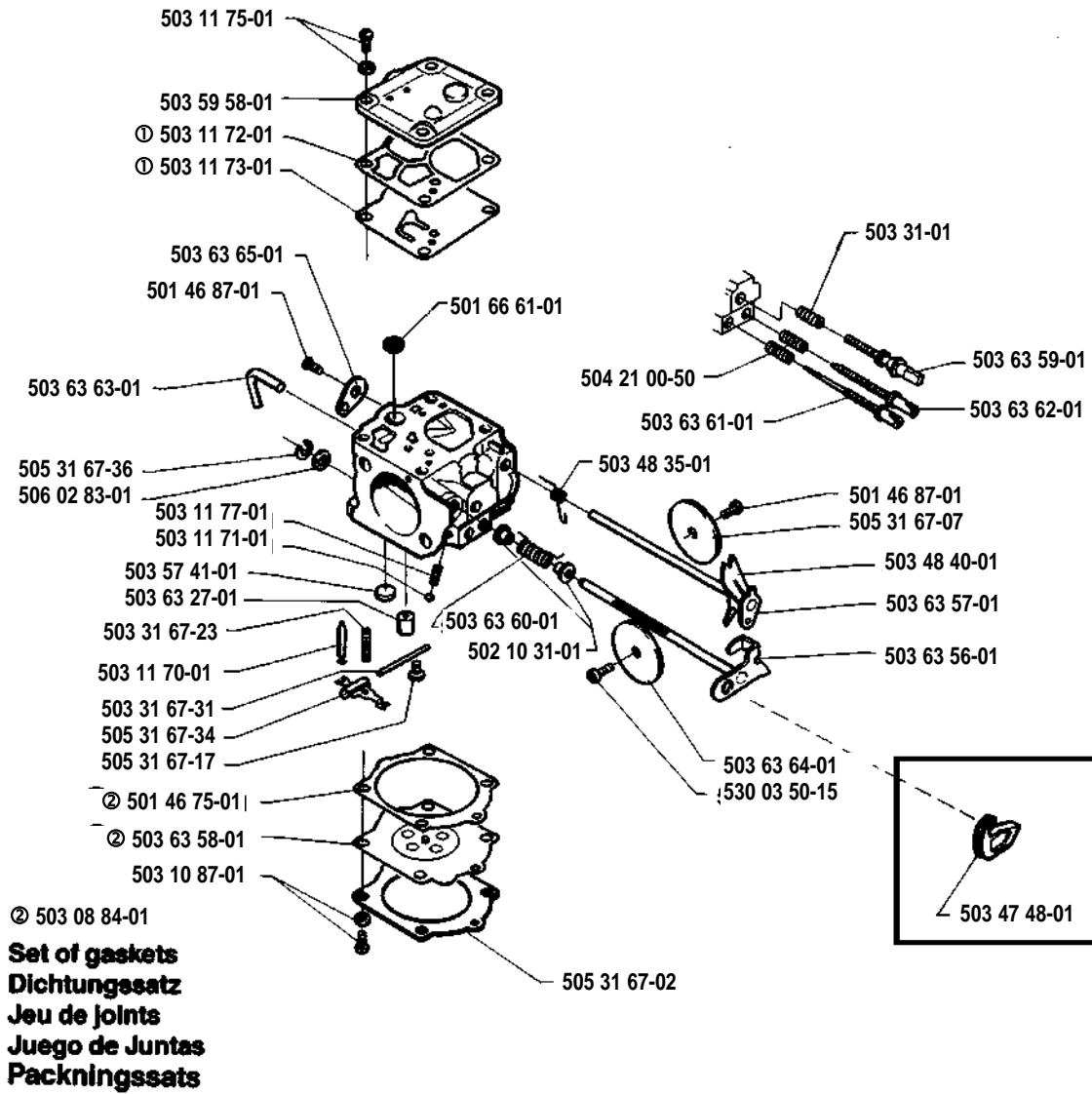
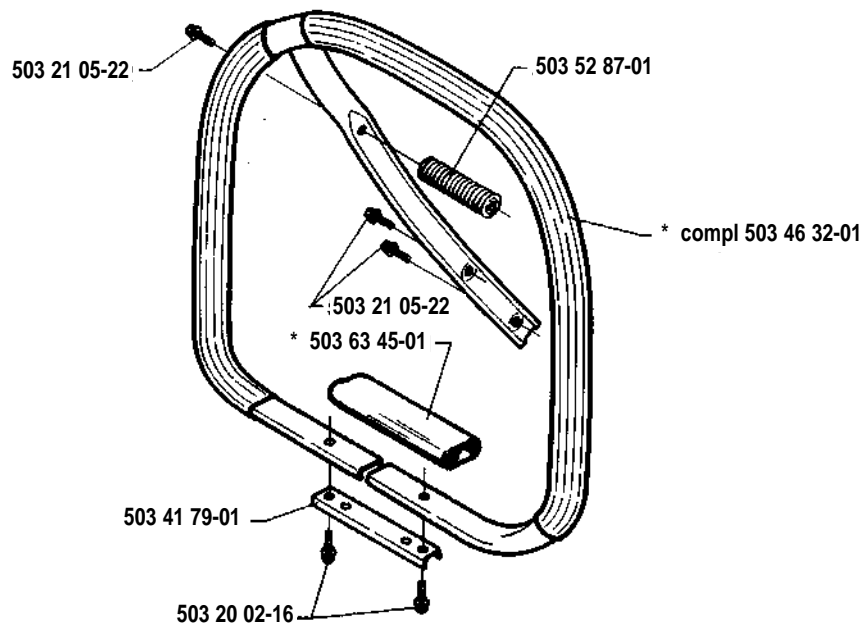
* compl 503 46 37-02

**K**



N

compl 503 28 12-11

Walbro WJ 39**P**

Q

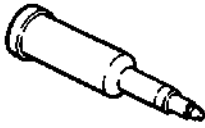
Tillbehör
Accessories
Accessoires
Zubehöre



503 55 86-02 (NV4)



503 55 86-01 (NV5)



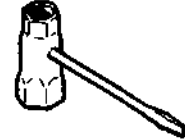
501 91 14-01



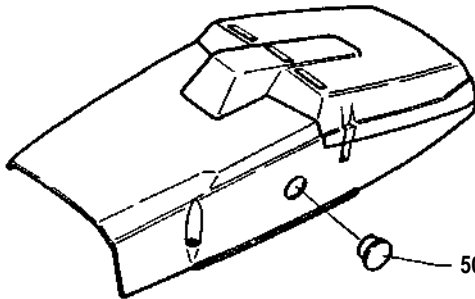
503 62 12-01



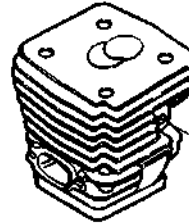
501 68 89-01



503 13 96-01

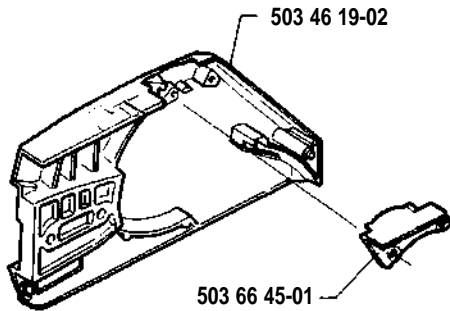


501 61 52-01



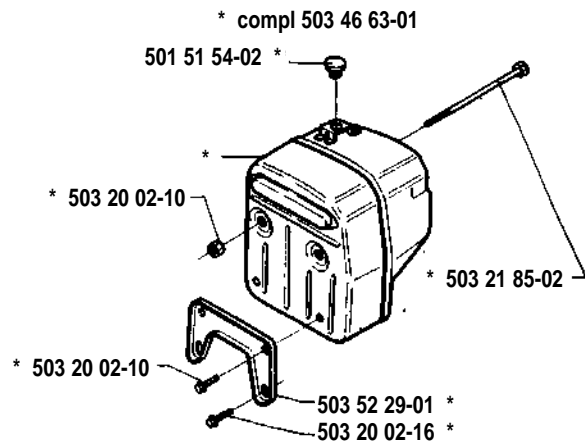
503 55 22-01

R Jungle



503 46 19-02

503 66 45-01



* compl 503 46 63-01

501 51 54-02 *

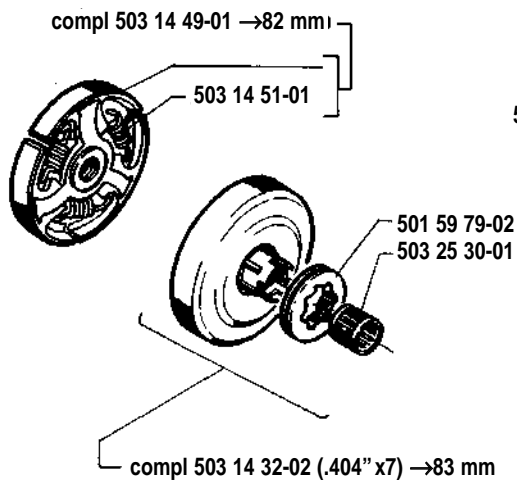
* 503 20 02-10

* 503 21 85-02

* 503 20 02-10

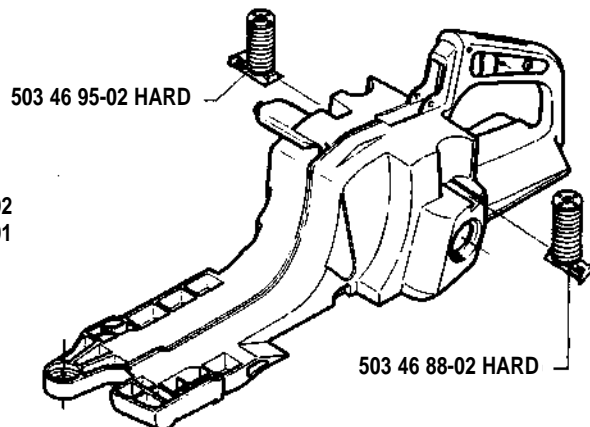
503 52 29-01 *

503 20 02-16 *



compl 503 14 49-01 →82 mm

compl 503 14 32-02 (.404" x7) →83 mm



503 46 95-02 HARD

503 46 88-02 HARD