

395, 395 EPA

Spare parts

Ersatzteile

Pièces détachées

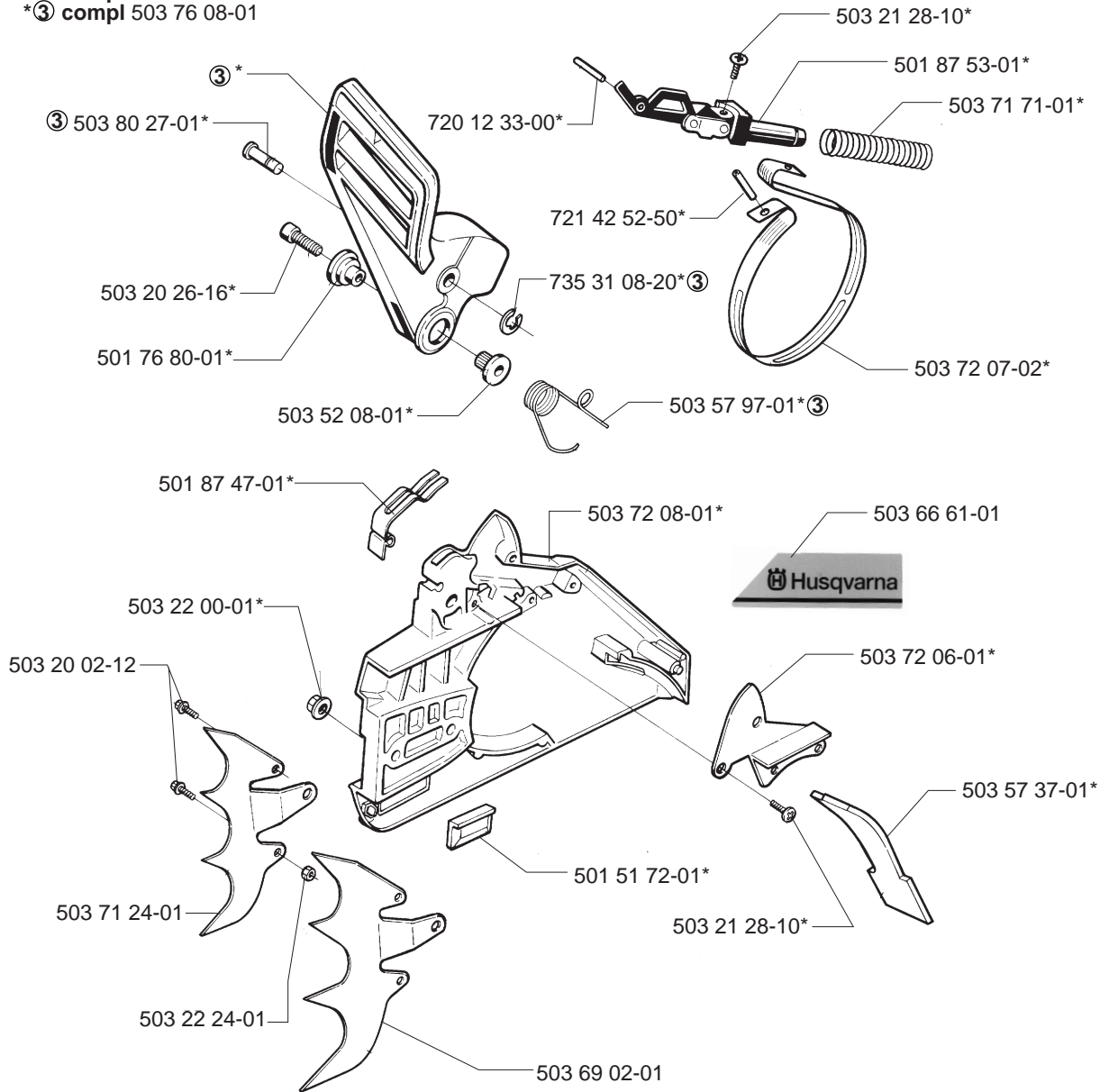
Reserve onderdelen

Repuestos

Reservdelar

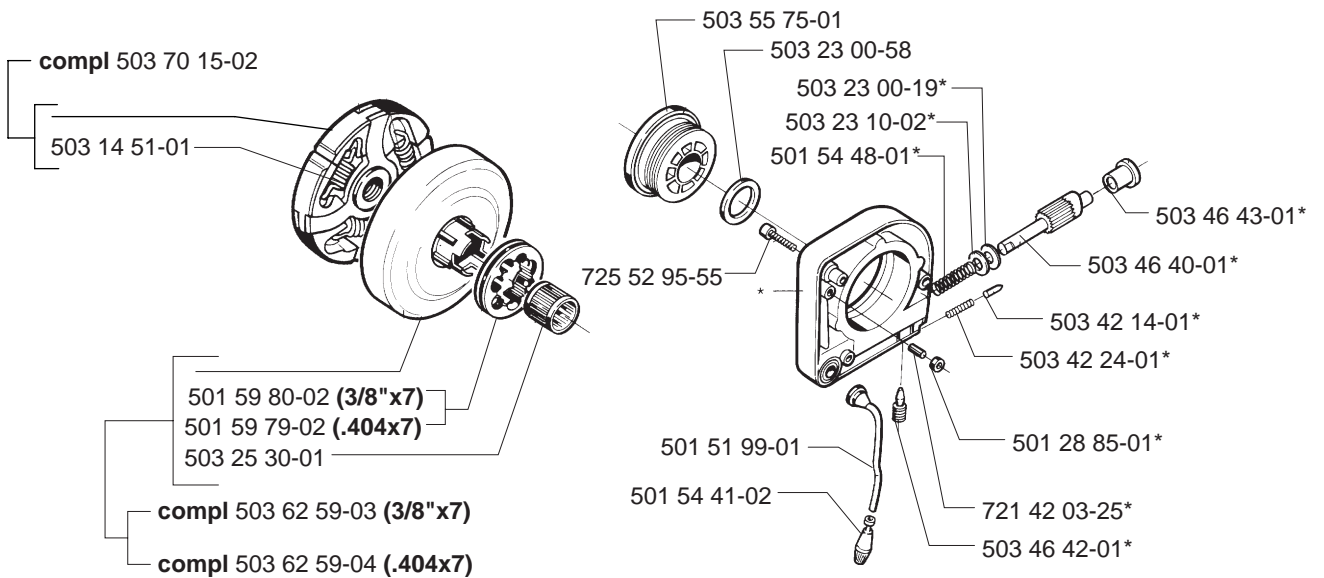
A

*compl 503 73 15-06
*③ compl 503 76 08-01

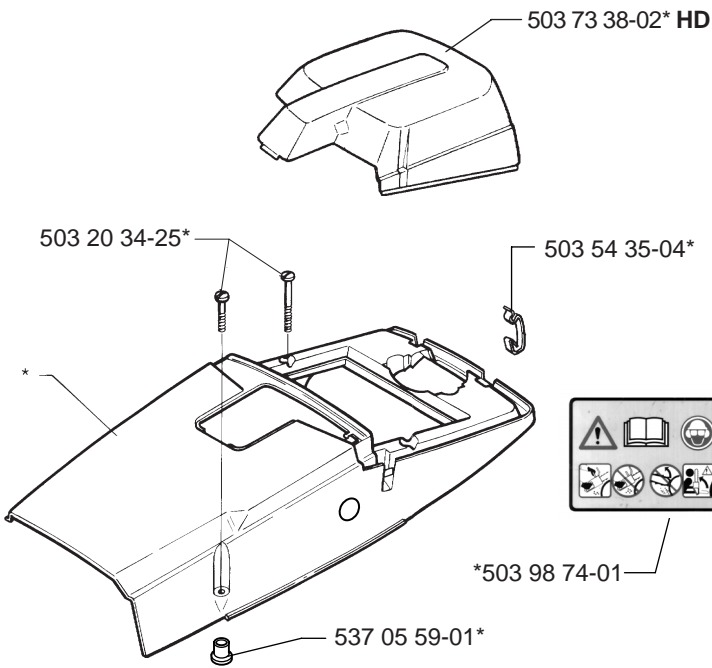


J

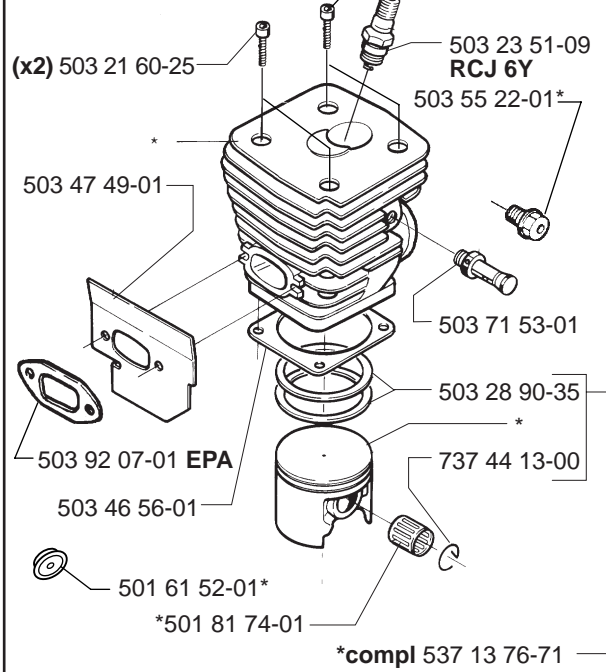
*compl 503 46 37-02



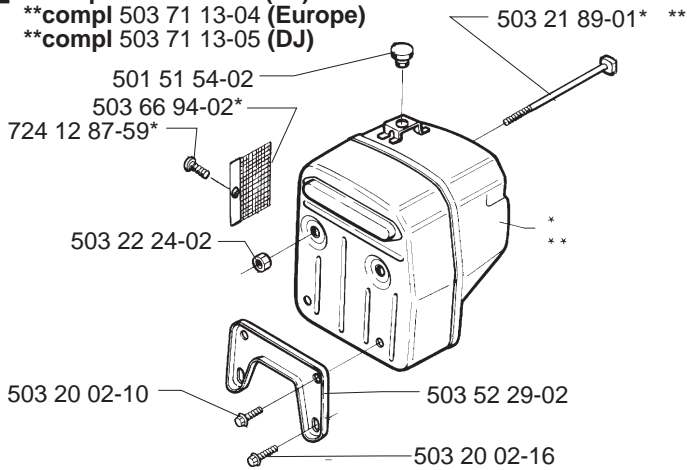
B *compl 503 52 64-09 HD



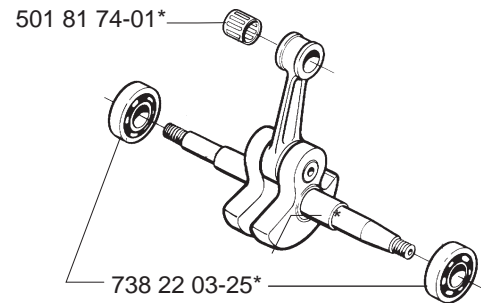
C *compl 503 99 39-71



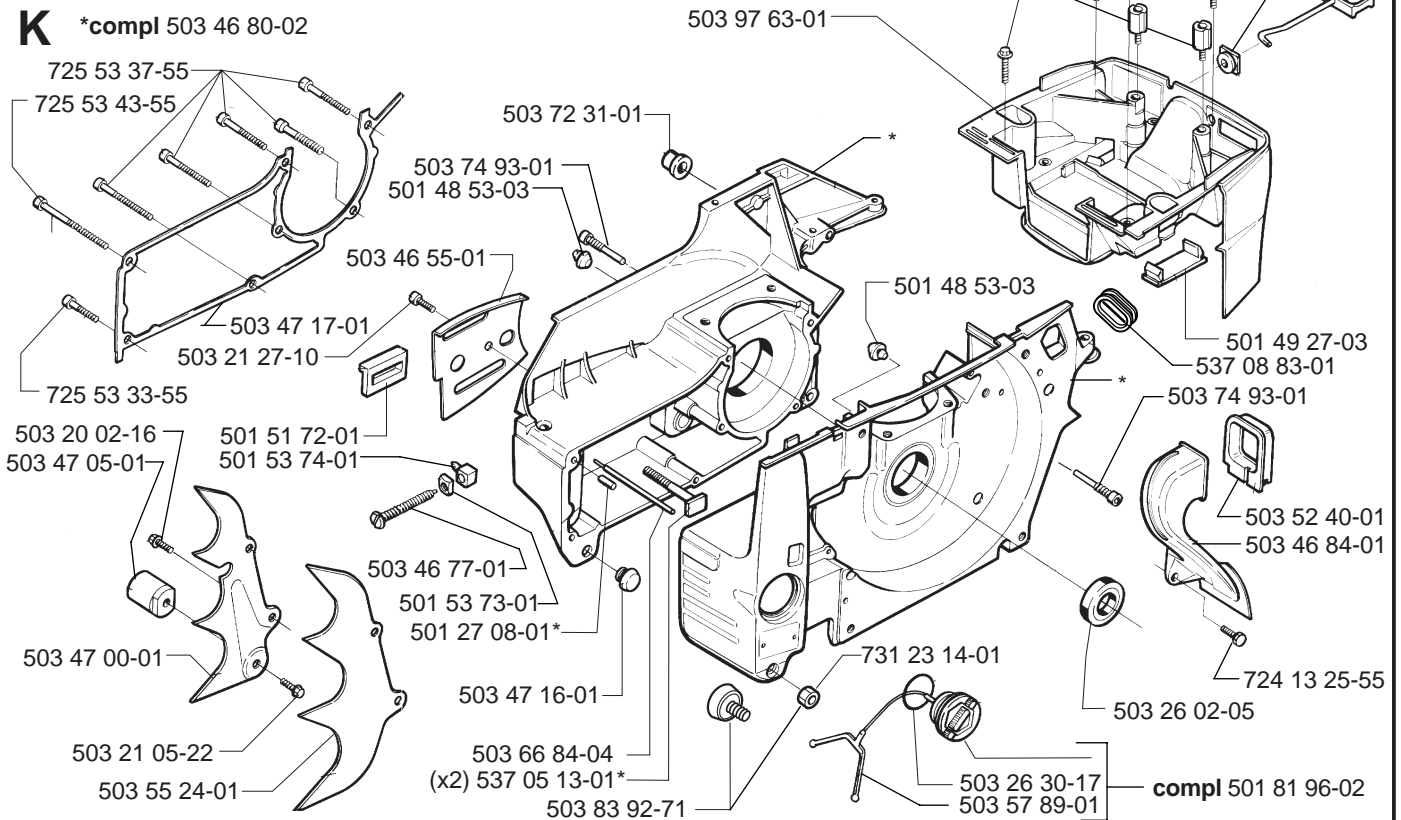
F *compl 503 71 13-07 (FF)
**compl 503 71 13-04 (Europe)
**compl 503 71 13-05 (DJ)

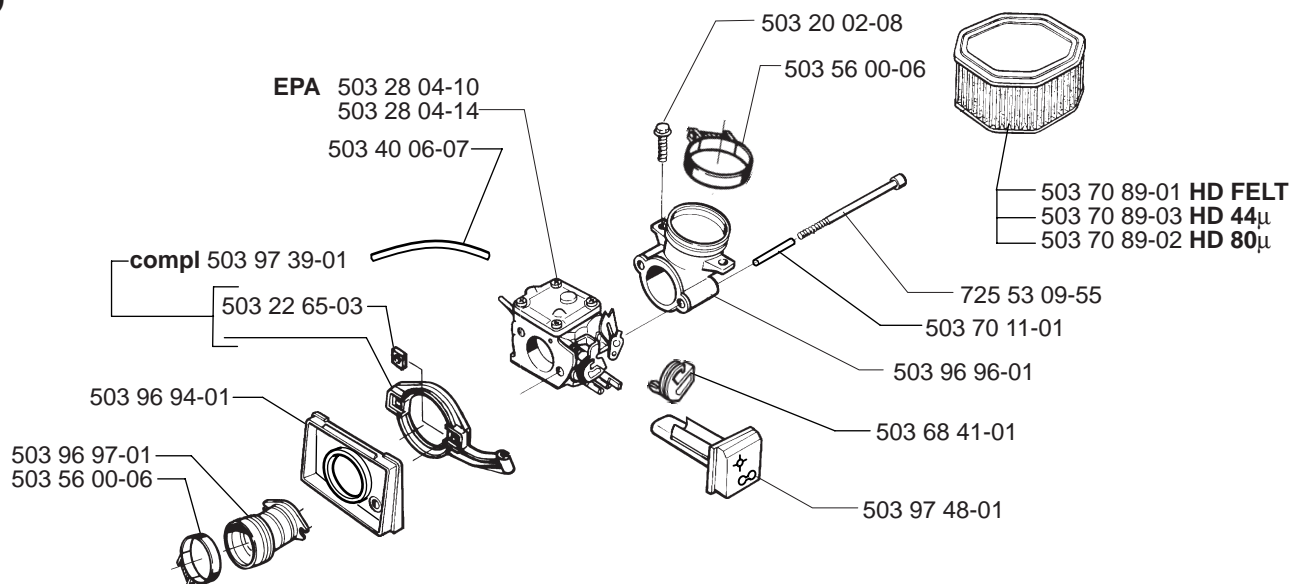


G *compl 537 09 05-71

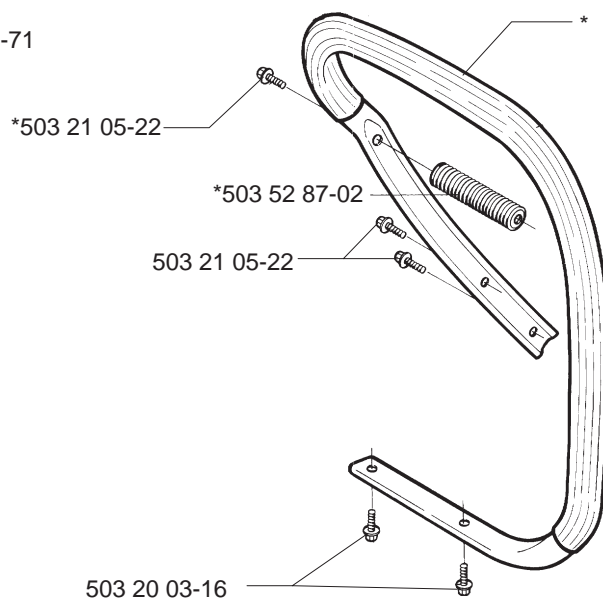
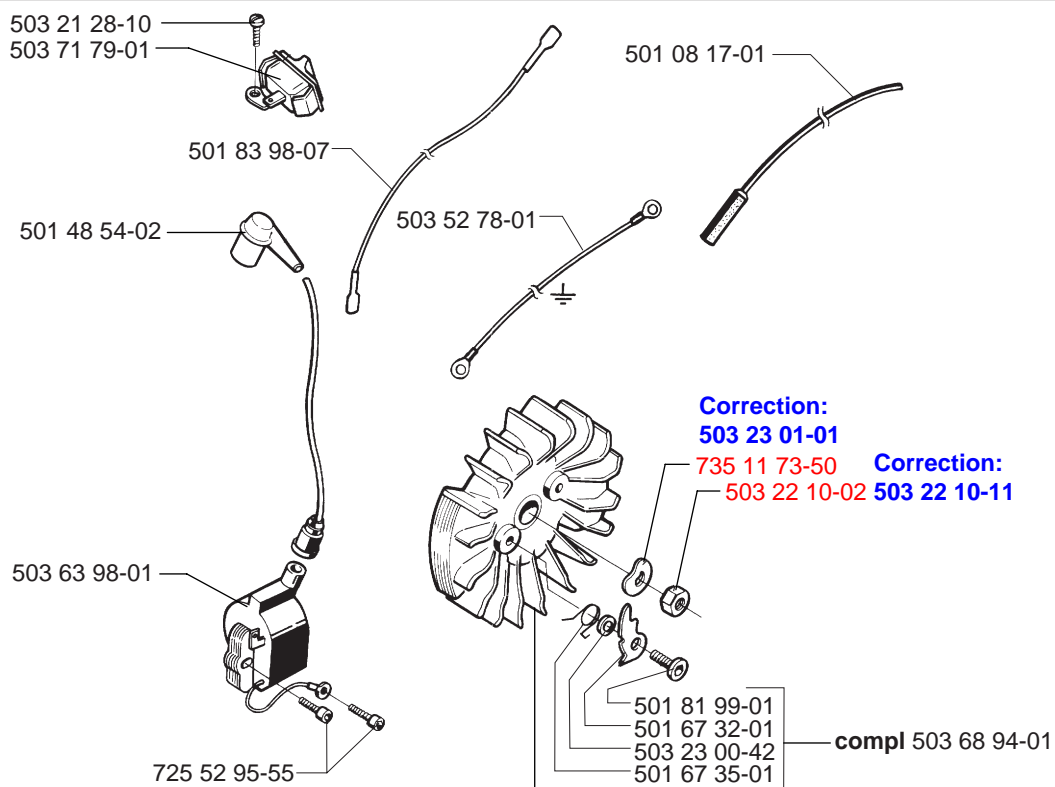


K *compl 503 46 80-02

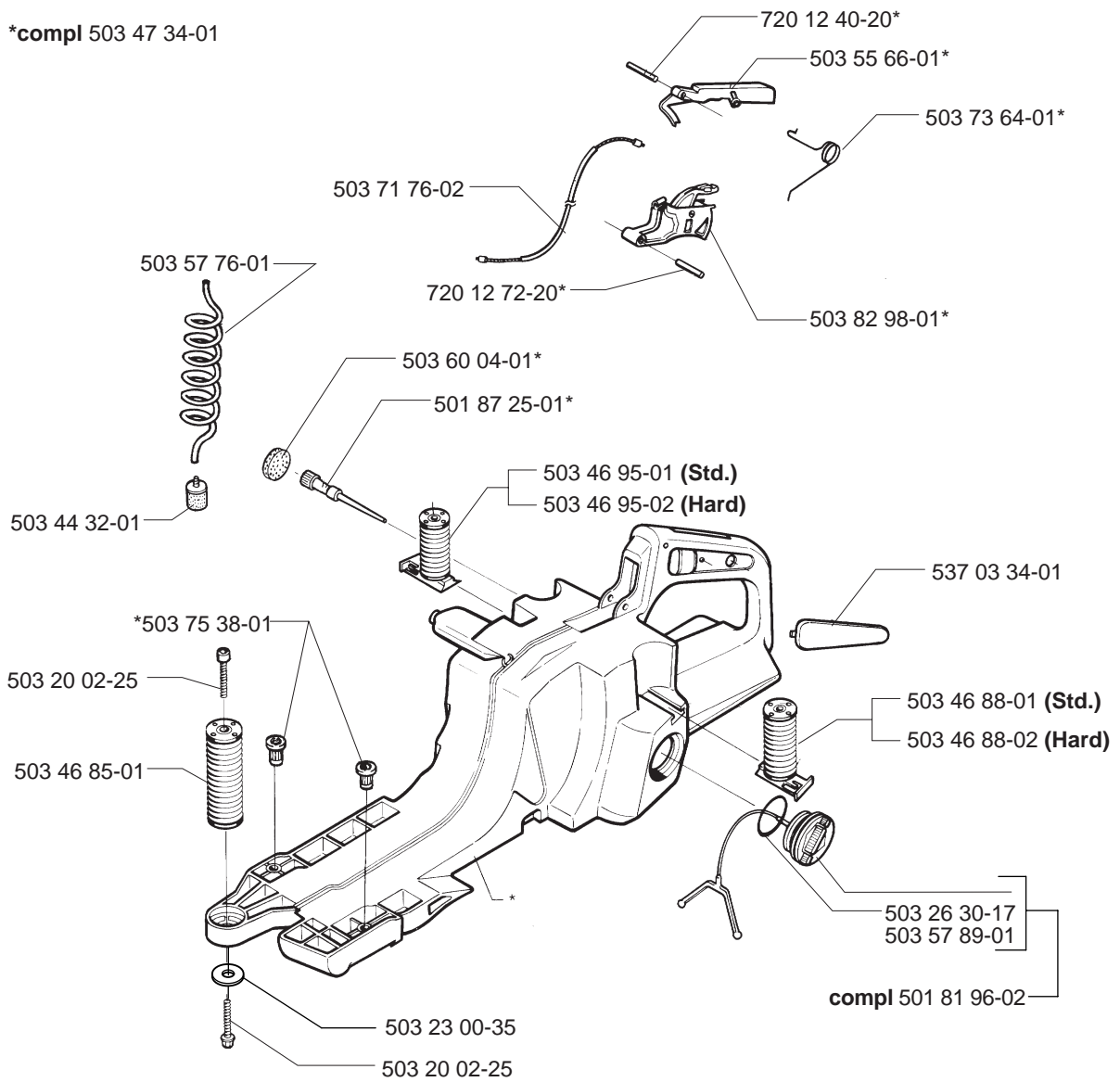


D**H**

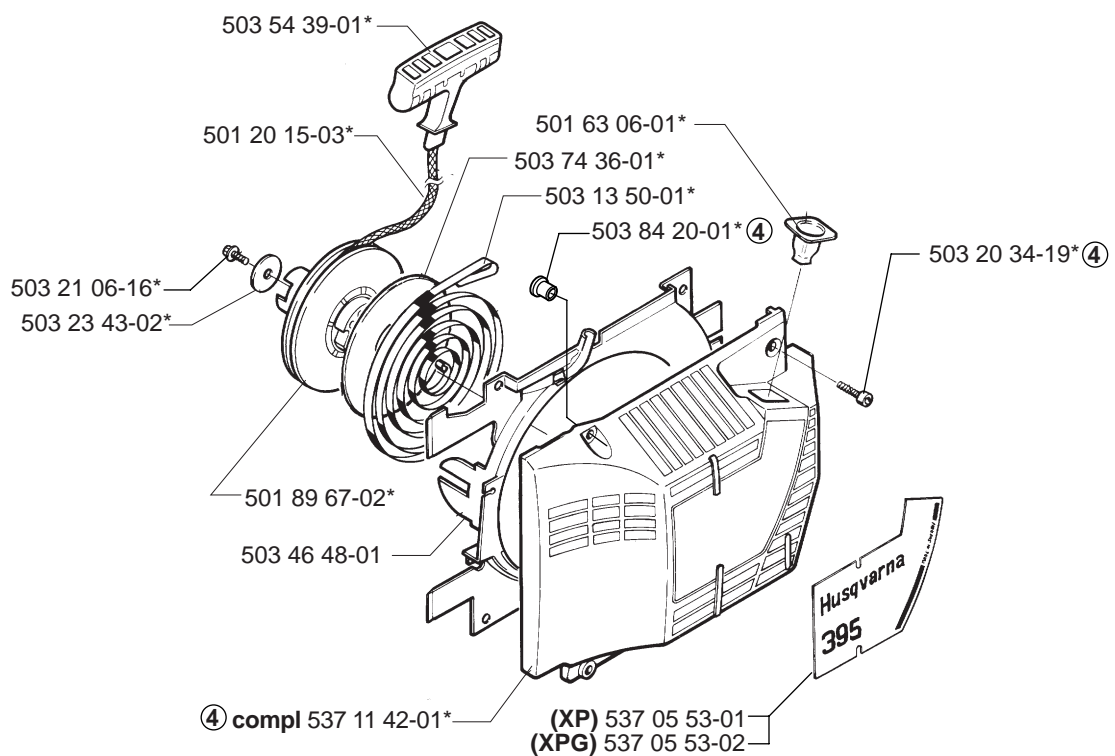
*compl 503 46 35-71

**L**

E *compl 503 47 34-01



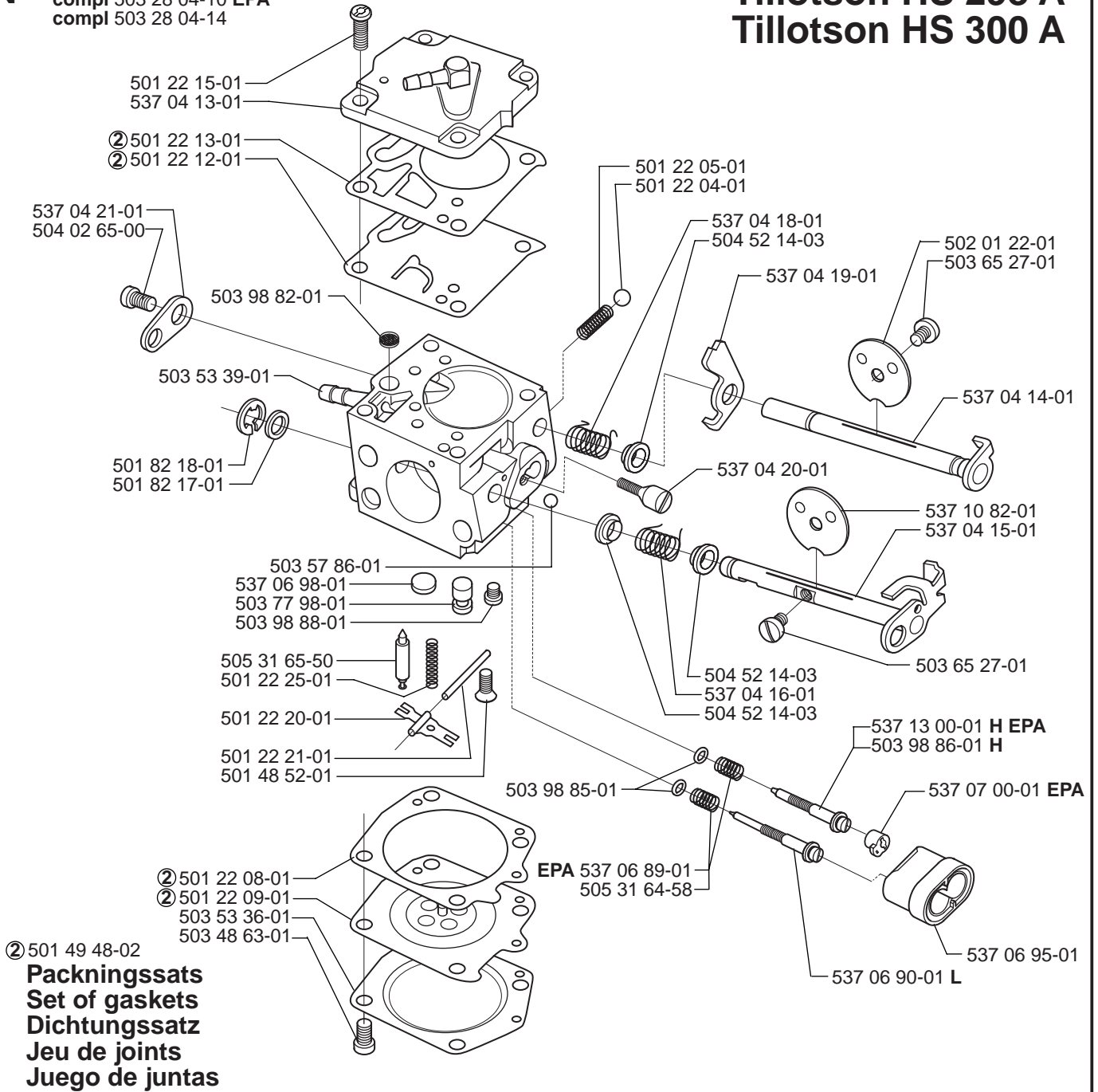
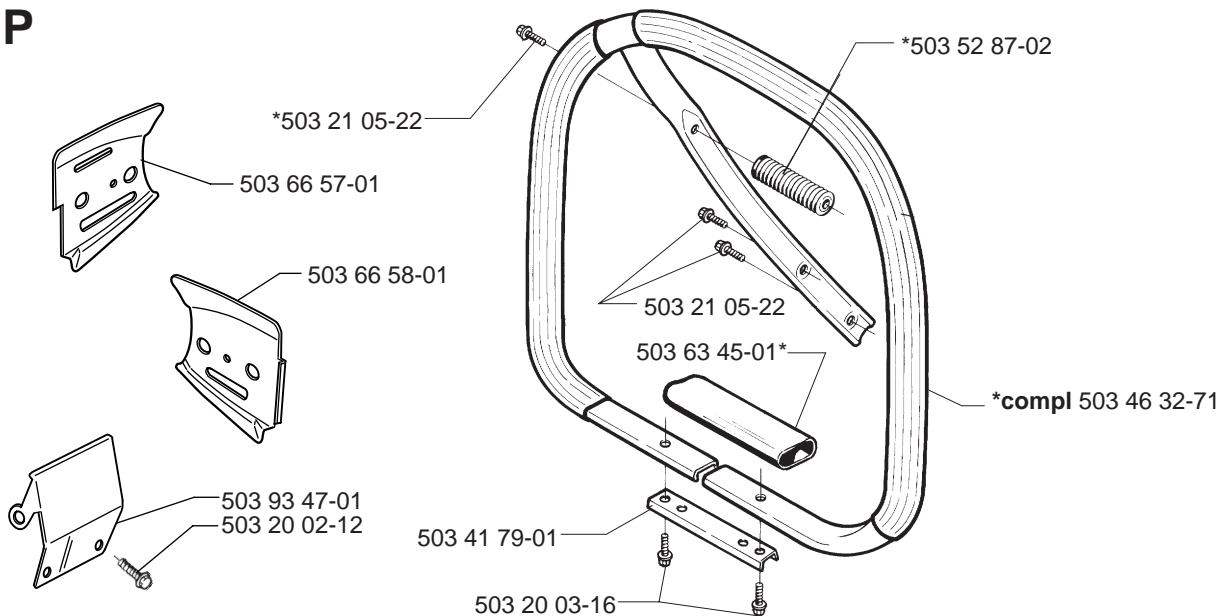
M *compl 503 46 24-02



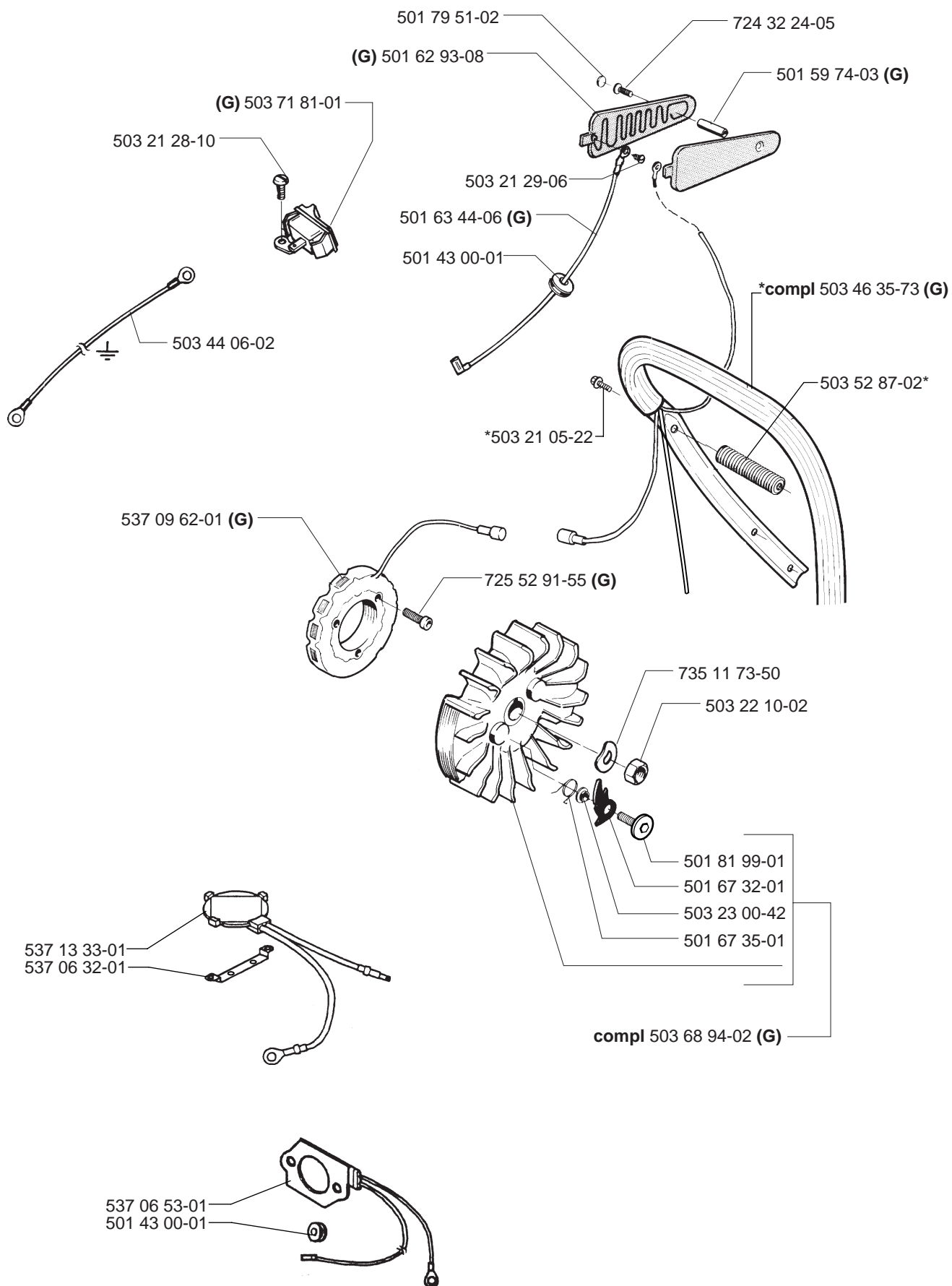
N

compl 503 28 04-10 EPA
 compl 503 28 04-14

Tillotson HS 298 A Tillotson HS 300 A

**P**

Q



R

Tillbehör Accessories Zubehöre Accessoires Accesorios

*compl 503 55 85-02

