

395, 395 EPA

Spare parts

Ersatzteile

Pièces détachées

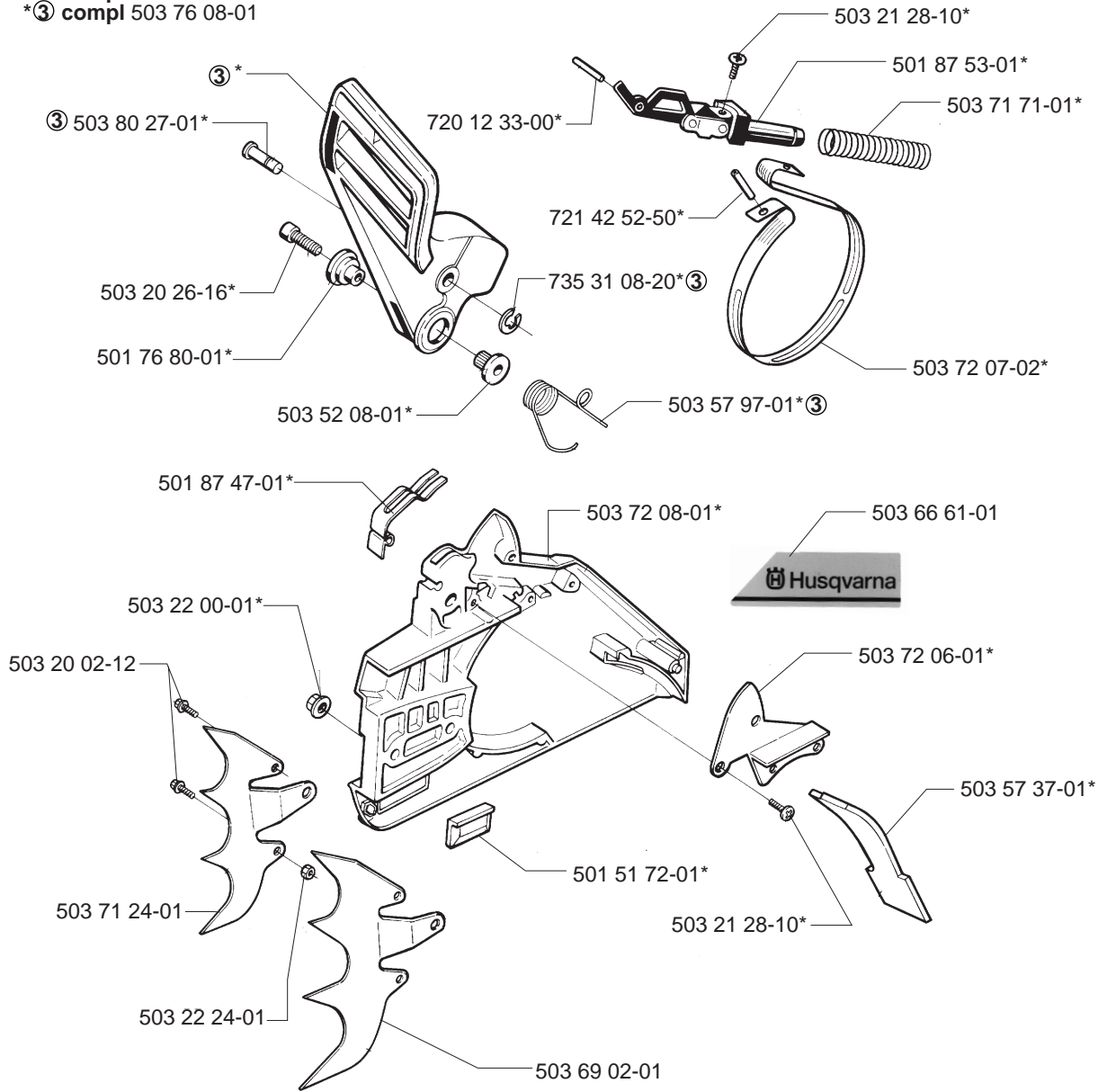
Reserve onderdelen

Repuestos

Reservdelar

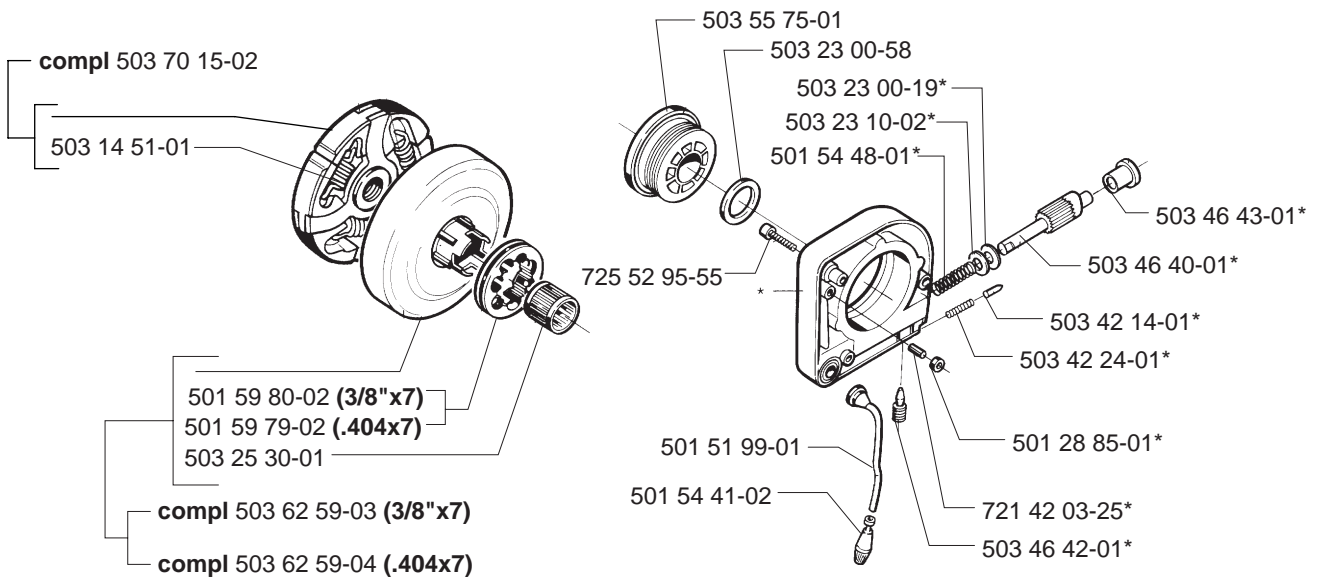
A

*compl 503 73 15-06
 *③ compl 503 76 08-01

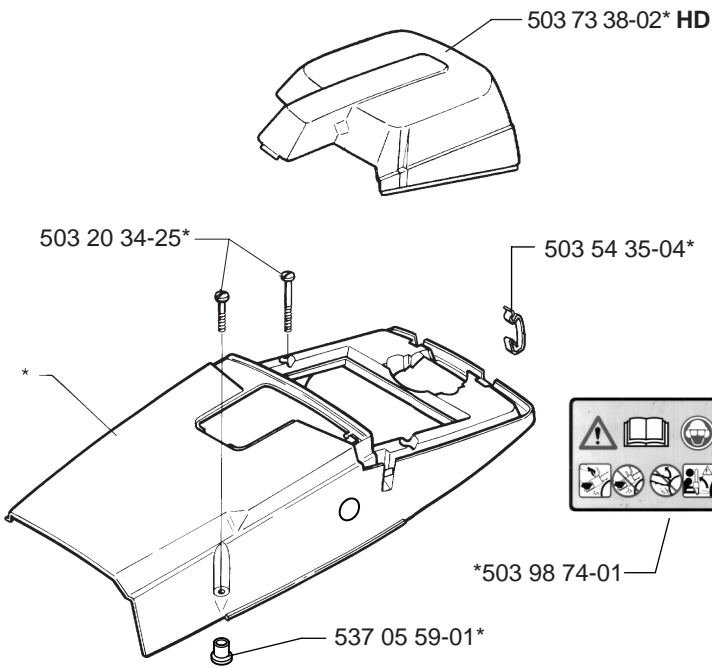


J

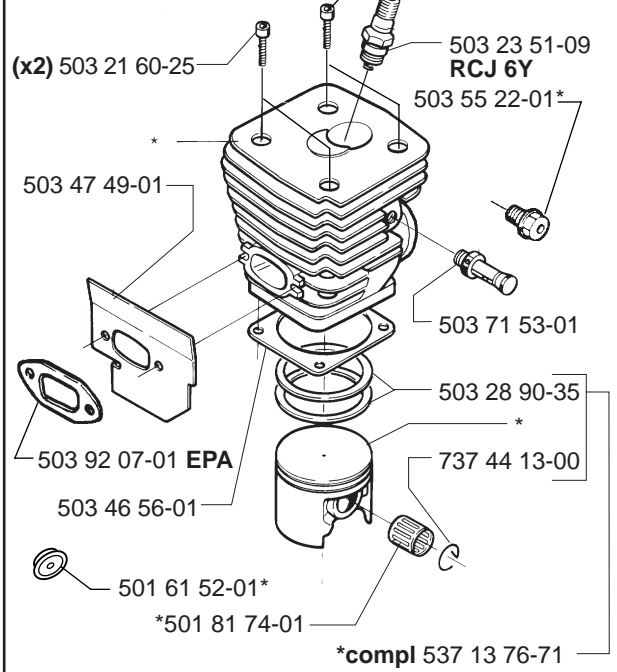
*compl 503 46 37-02



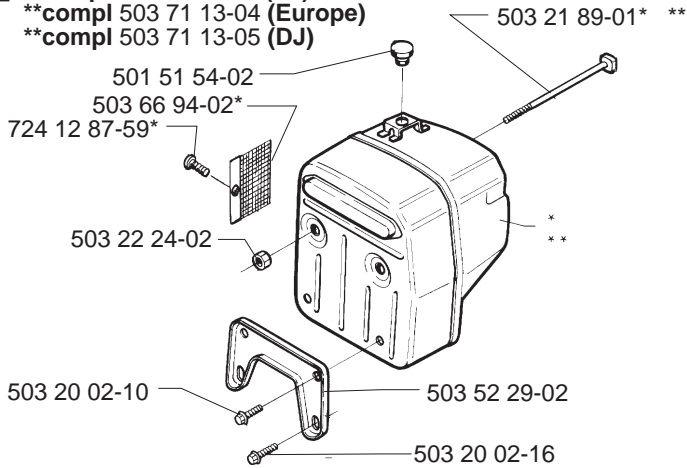
B *compl 503 52 64-09 HD



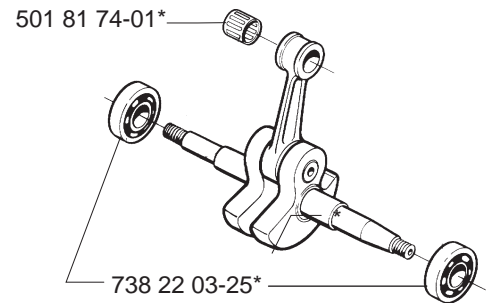
C *compl 503 99 39-71



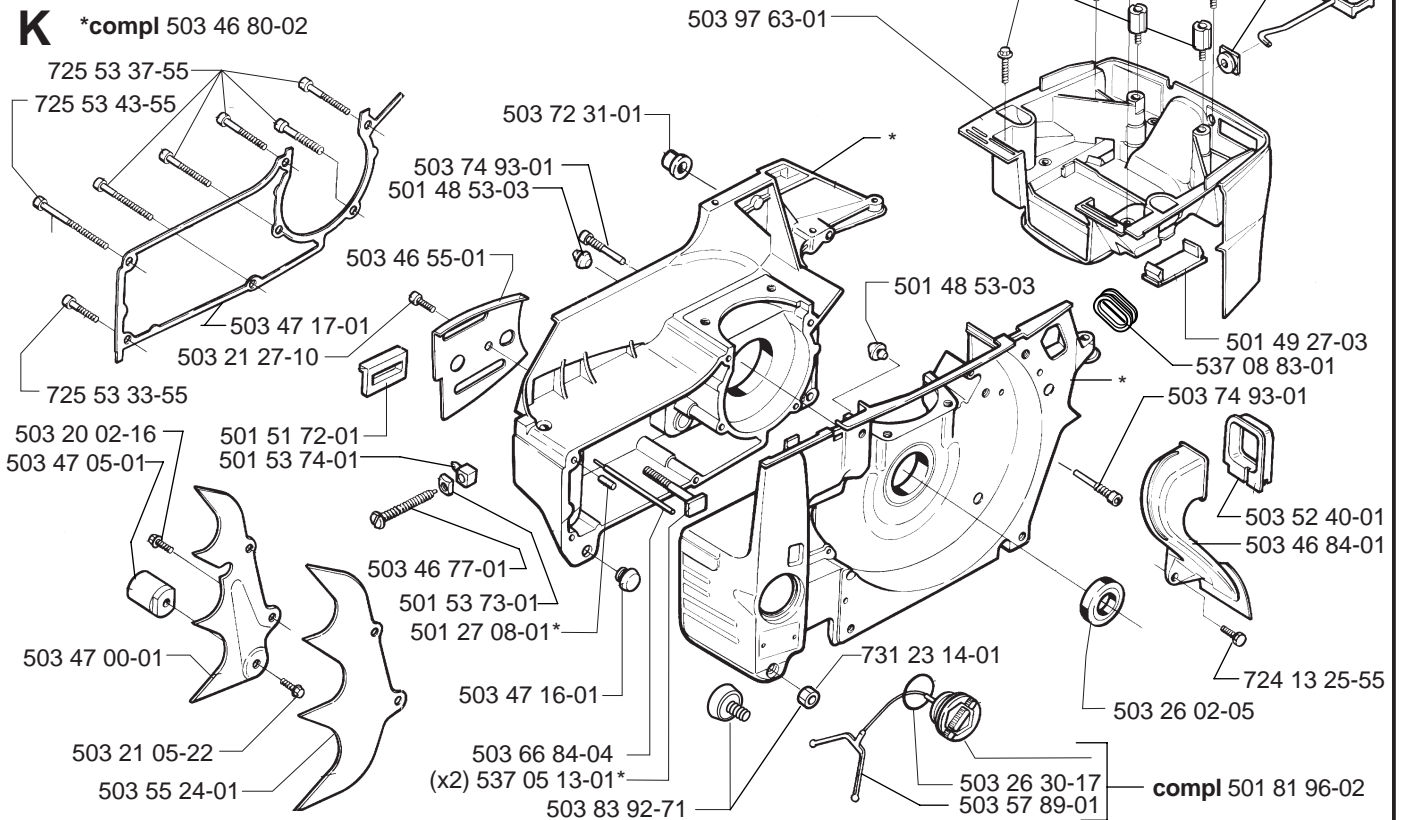
F *compl 503 71 13-07 (FF)
**compl 503 71 13-04 (Europe)
**compl 503 71 13-05 (DJ)

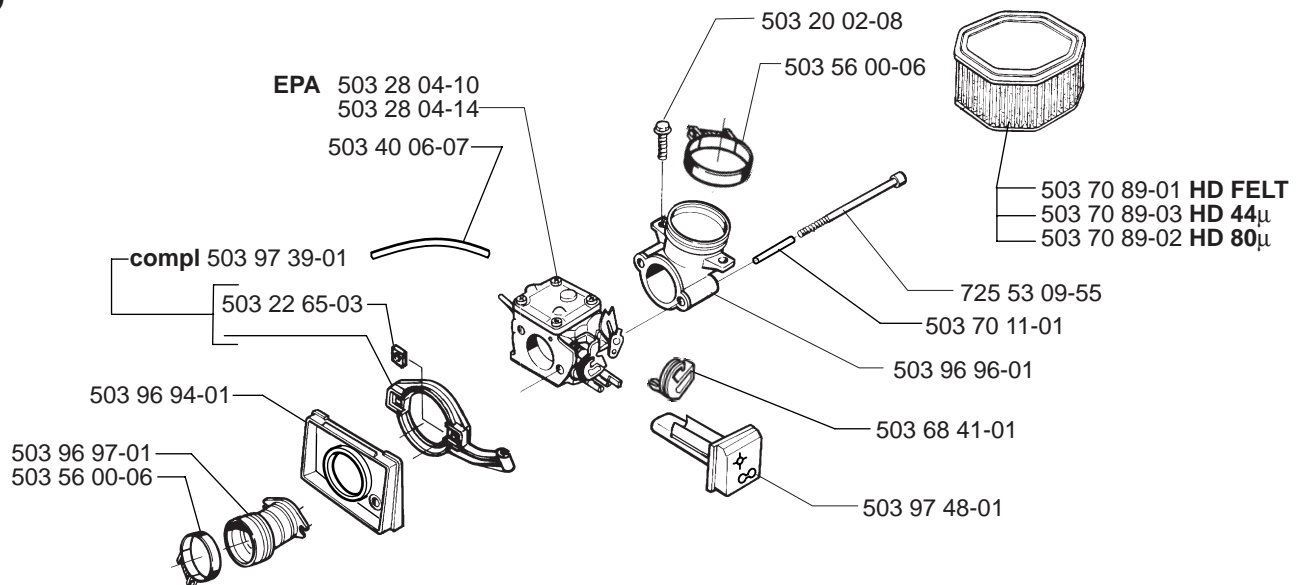


G *compl 537 09 05-71

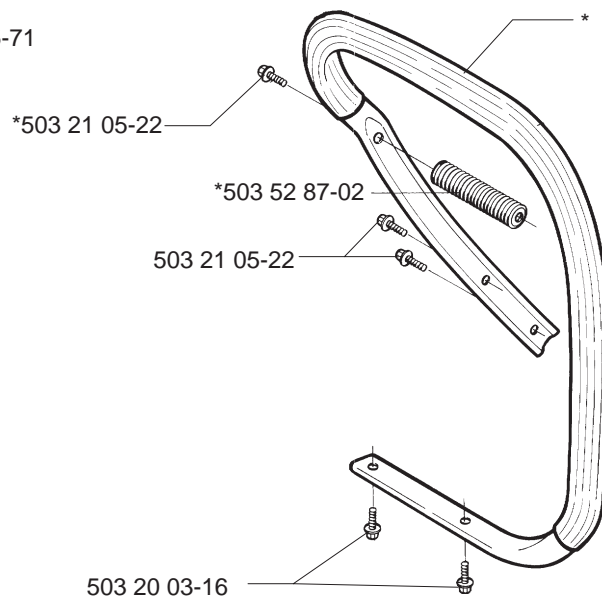
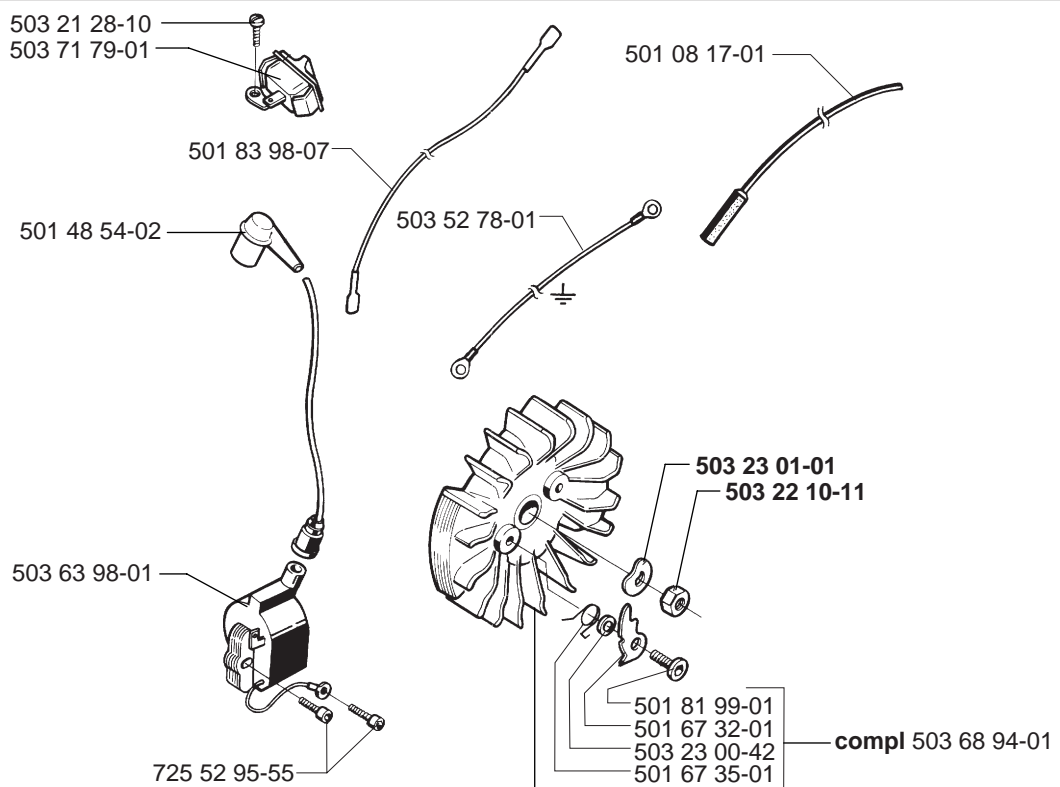


K *compl 503 46 80-02

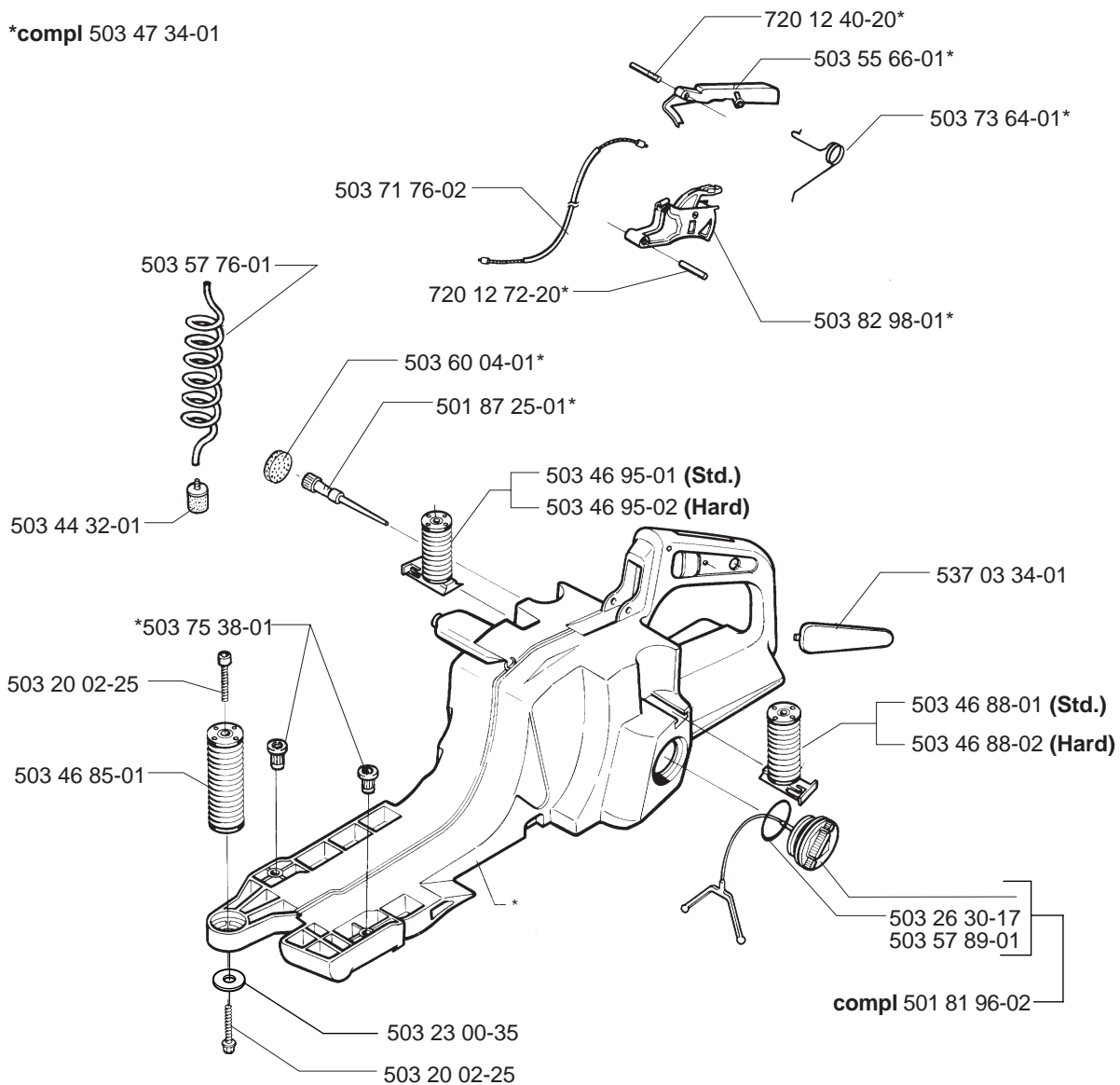


D**H**

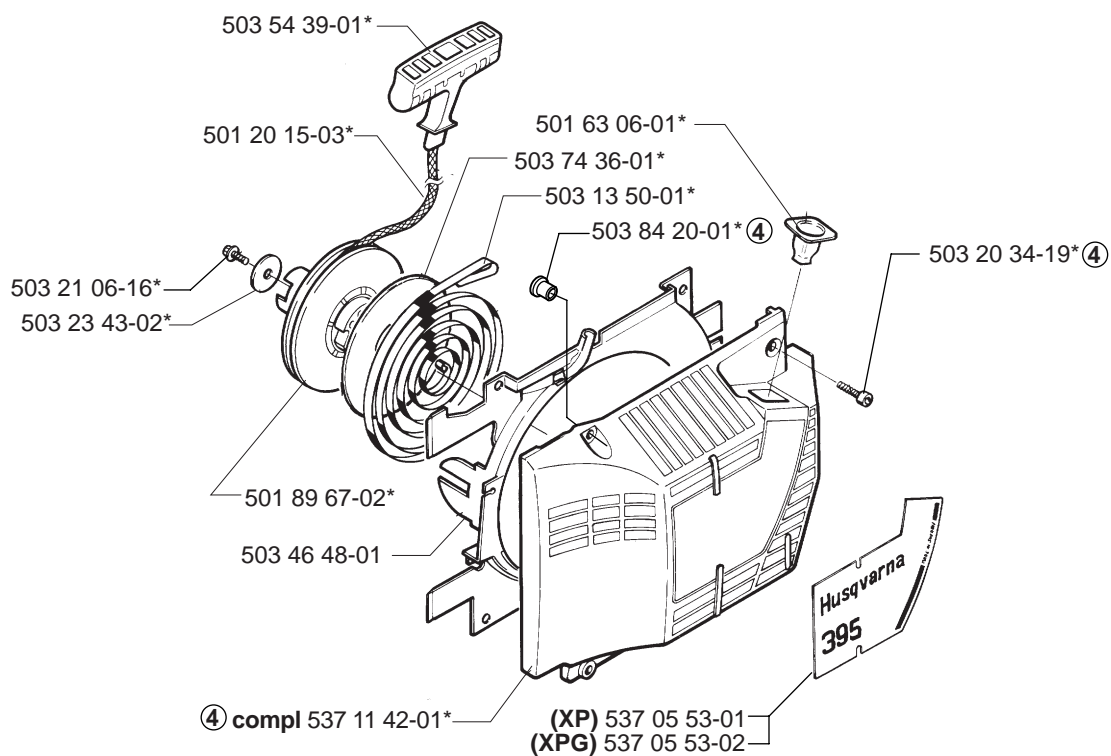
*compl 503 46 35-71

**L**

E *compl 503 47 34-01



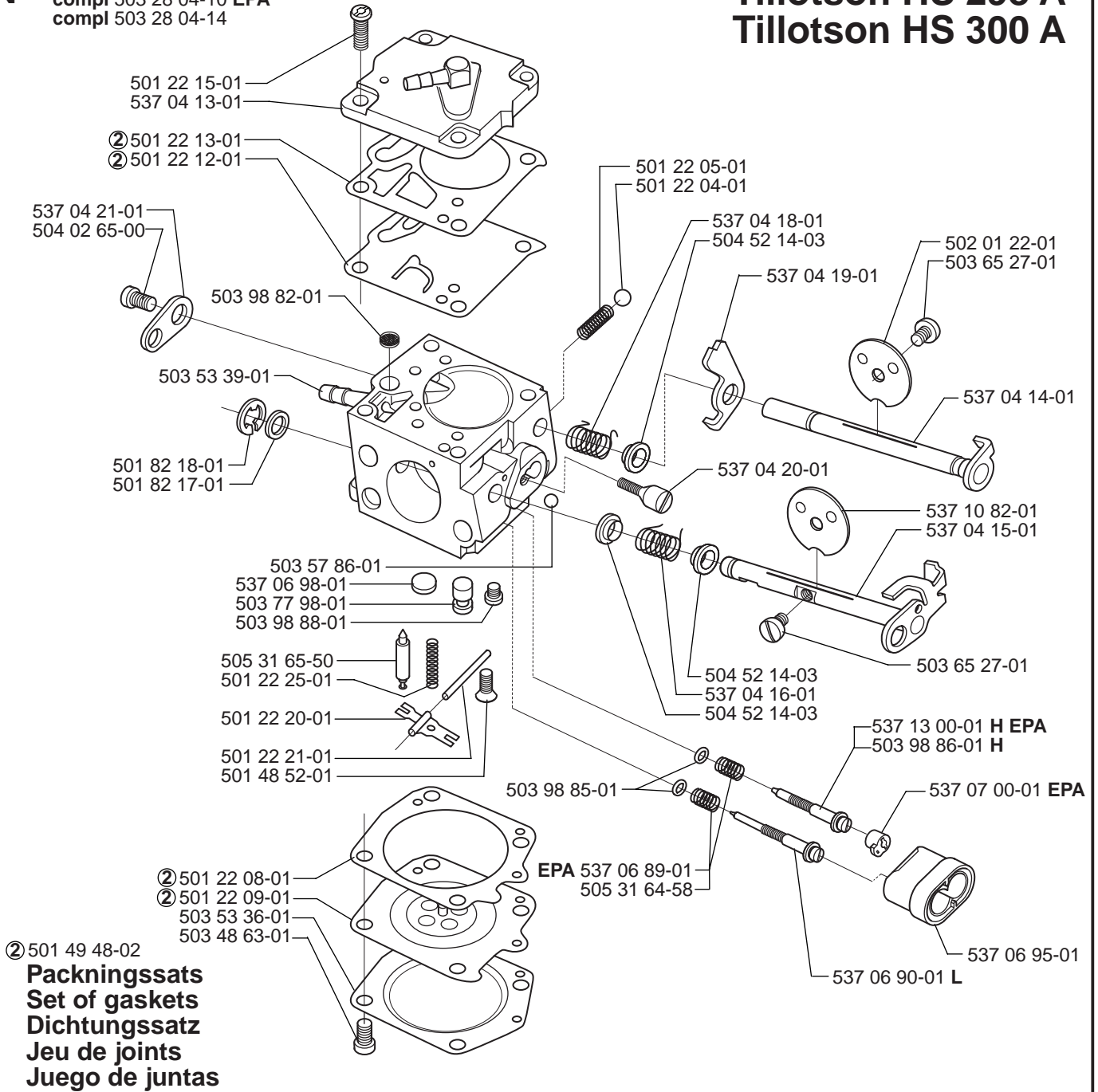
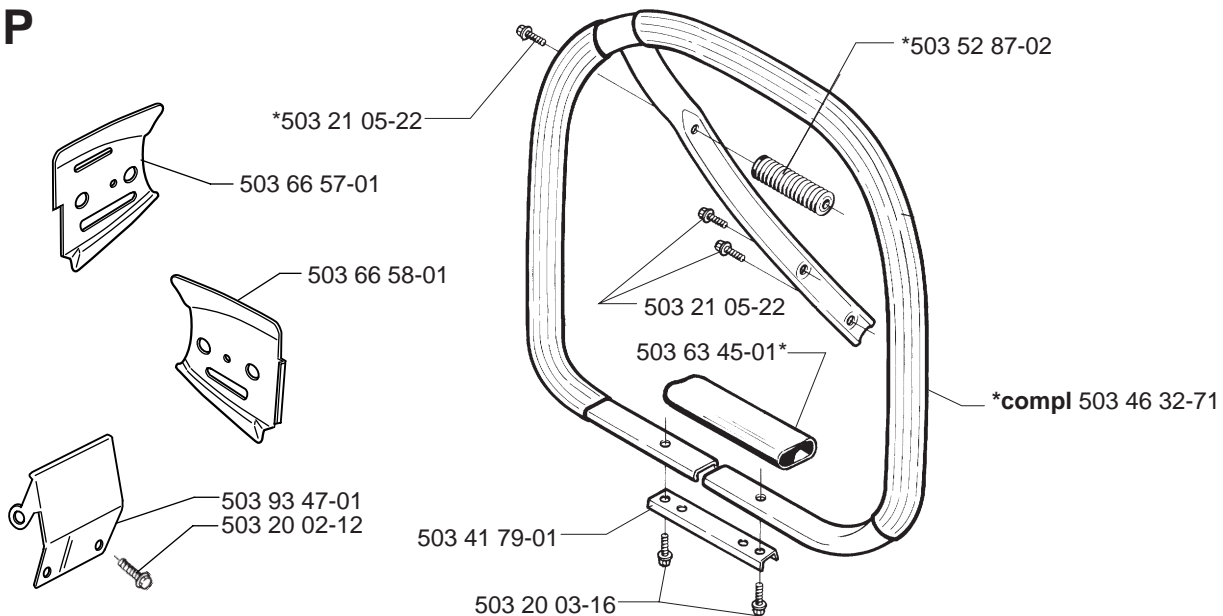
M *compl 503 46 24-02



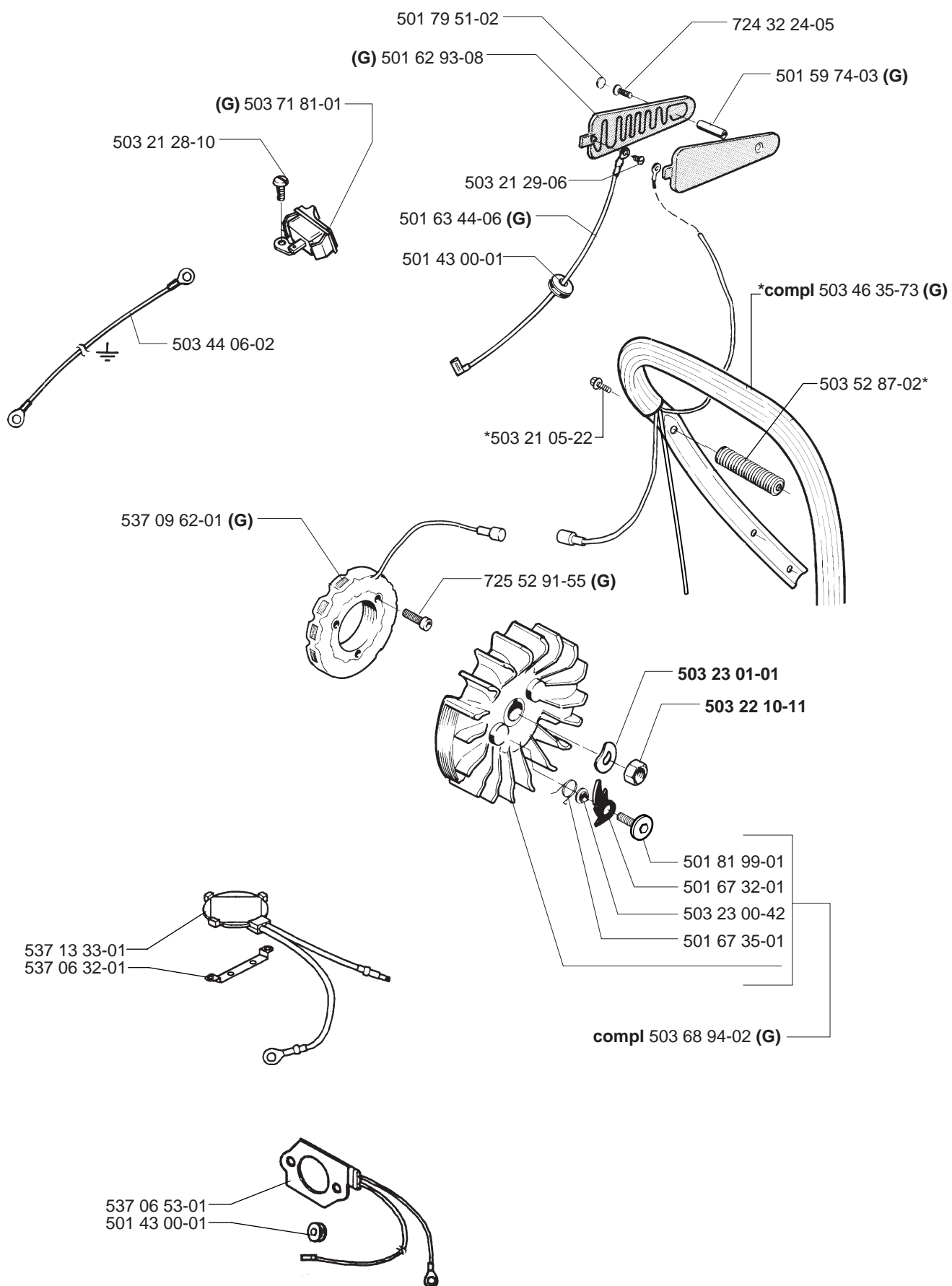
N

compl 503 28 04-10 EPA
 compl 503 28 04-14

Tillotson HS 298 A Tillotson HS 300 A

**P**

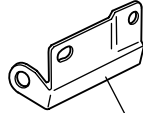
Q



R

Tillbehör Accessories Zubehöre Accessoires Accesorios

*compl 503 55 85-02



503 99 32-01



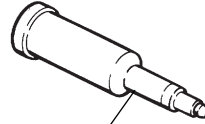
*503 62 12-01



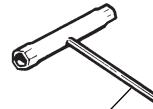
*503 55 86-01 (NV4)



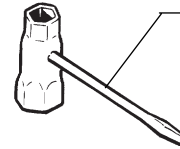
*503 55 86-02 (NV5)



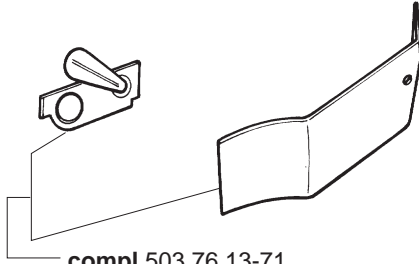
*501 91 14-01



*501 68 89-01



*503 13 96-01



compl 503 76 13-71