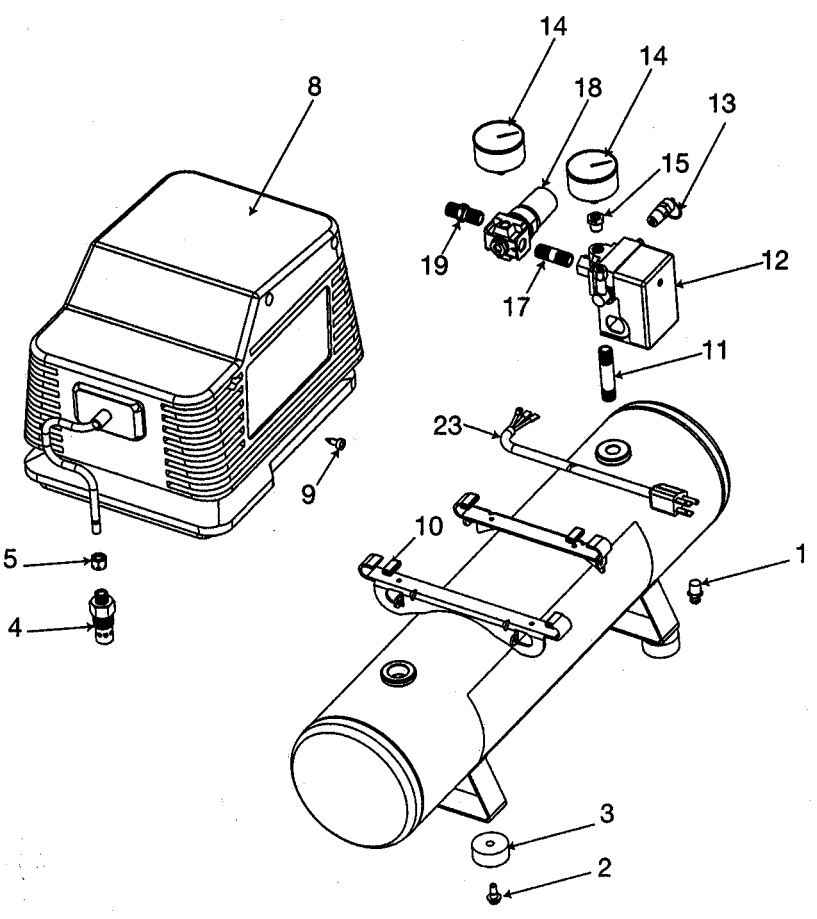


**\*\* REPLACEMENT BRUSHES FOR MOTOR**

Motor number and vendor is stamped on motor stack. Both must be identified before ordering replacement brush. Motor part number for reference only. Motor not available for service.



## Parts List for 3JR70 Type 1

Item Number	Part Number	Description	Qty Required
1	N286039	DRAIN VALVE	1
2	91895680	SCREW .250-20X.750 H	4
3	SST-5314-1	BUMPER RECESS RUBBER	4
4	D24879	VALVE CHECK 1/2NPT X	1
5	SSP-473	ASSY NUT SLEEVE 5/16	1
8	000000-00	No Longer Available	1
9	SSF-621	SCREW .250-14X.625 F	2
10	CAC-1254	ISOLATOR PUMP	4
11	SSP-480	NIPPLE 1/4-18 NPT X	1
12	5140117-70	PRESSURE SWITCH	1
13	D20114	VALVE SAFETY 175 .25	1
14	GA-373	USE Z-GA-373	2
15	SSP-6021	BUSHING REDUCER 1/8-	1
17	N044990	NIPPLE CLOSE 1/4-18	1
18	CAC-4296-1	REGULATOR 3PORT P2 L	1
19	D26889	ADAPTER .25 NPT X .2	1
23	D26616	CORD POWER SJOW 14GA	1
31	000000-00	No Longer Available	1
33	D30139	KIT GRAPHITE GASKET	1
35	N087118SV	PUMP ASSEMBLY	1
35	N036517	CYLINDER KIT	1
35	D21127	SCREW #10-24X.563 PA	1
35	A19123	SCREW	1
35	N036517	CYLINDER KIT	1
35	KK-4929	KIT FASTENER	1
35	N036517	CYLINDER KIT	1
37	A06436	SHROUD KIT	1

## Parts List for 3JR70 Type 1

Item Number	Part Number	Description	Qty Required
38	N044359	TUBE SEAL	1
39	AC-0206	TUBE ISOLATOR	1
40	SSF-3156	SCREW #10-9X.500 THD	5
41	SUDL-9-1	SCREW #8-32X.375/.34	1
42	D25731	ISOLATOR PUMP	5
43	AC-0815	BELT TIMING DAYCO	1
44	SSF-995	SCREW #10-24X.875 HH	4
45	A06436	SHROUD KIT	1
46	DAC-269	TUBE OUTLET 2.5G UMC	1
47	D25877	HEAD UMC PRESSURE RE	1
48	Z-D24819	GASKET HEAD UMC GRAP	1
49	CAC-1206-1	CLAMP HOSE .250 ID H	1
50	N017592SV	VALVE PLATE ASSY	1
52	Z-D27196	BRUSH MOTOR UMC GOLD	1
52	5140120-58	BRUSH KIT	1
52	Z-D23825	BRUSH MOTOR UMC GSE	1
52	Z-D23825	BRUSH MOTOR UMC GSE	1
52	Z-D23825	BRUSH MOTOR UMC GSE	1
856	N036517	CYLINDER KIT	1
856	N036518	CON ROD ASSY	1
856	KK-4929	KIT FASTENER	1
856	A06436	SHROUD KIT	1
856	D30139	KIT GRAPHITE GASKET	1