

4250/65C, 402920
PARTS LEGEND 4250/65CP, 402930

4250/65CQ, 404261 (EUROPE)
4250/65CPQ, 404262 (EUROPE)

1	091362	4	Socket Head Capscrew, 1/4-20 x 1-1/2" (4250/65C, CQ)	47	404938	2	Logo, Housing (4250/65C, CP)
	404229	4	Socket Head Capscrew, 1/4-20 x 2-1/4" (4250/65CP, CPQ)		405117	2	Logo, Housing (4250/65CQ, CPQ)
2	002187	6	Lock Washer, 1/4"	*48	091208	1	"O" Ring, Housing
*3	402978	1	Cap, Diffuser	49	402933	1	Flange, Nose
4	091363	2	Flexloc Thin Nut, #8-32	50	095417	4	Lock Washer, 5/16"
5	091860	1	Flexloc Nut	51	009016	4	Socket Head Capscrew, 5/16 - 18 x 1"
6	500011	1	Cap (4250/65CP, CPQ)	52	006787	2	Roll Pin, 3/16 Dia. x 1" Lg.
	402932	1	Cap (4250/65C, CQ)	52A	401697	2	Roll Pin
*7	402955	1	Gasket, Cap	53	092735	2	Socket Head Capscrew, 1/4-20 x 1-1/4"
8	402959	1	Spring, Main Valve	54	402934	1	Nose (4250/65C, CQ)
9	500322	1	Retaining Ring		402935	1	Nose (4250/65CP, CPQ)
*10	402962	1	"O" Ring, Upper Valve Piston	55	263239	1	Retaining Ring
11	402941	1	Upper Valve Piston	56	402018	1	End Cap
*12	092729	1	"O" Ring, Lower Valve Piston	57	402084	1	Bumper, Feed Claw Piston
*13	004163	1	"O" Ring, Lower Valve Piston	58	402024	1	Spring
*14	402974	1	"O" Ring, Lower Valve Piston	59	402038	1	Feed Claw Piston
15	500321	1	Lower Valve Piston	*60	091541	1	"O" Ring, Feed Claw Piston
16	405211	1	Seal, Main Valve		091541	1	"O" Ring, Cylinder End Seal
*17	402963	1	"O" Ring, Main Valve Post	61	402039	1	Cylinder End Seal
18	402944	1	Post, Main Valve	*62	402031	1	"O" Ring, Cylinder End Seal
▲ 19	070502	1	Button Head Socket Cap Screw, #8-32 x 1/2"	63	402055	1	Feeder Body
20	400196	1	Gripco Lock Nut, 3/8-24	64	402027	1	Air Feed Tube
21	095412	2	Washer, Driver Blade	*65	094295	1	"O" Ring, Housing
*22	091539	1	"O" Ring, Piston	66	005562	1	Flat Socket Head Capscrew, 1/4-20 x 1"
23	402951	1	Piston	*67	402041	1	Torsion Spring, Feed Claw
▲ *24	402956	1	Driver Blade, (4250/65C, CQ)	68	402486	1	Retaining Ring
	402957	1	Driver Blade, (4250/65CP, CPQ)	69	402488	1	Pivot Pin, Feed Claw
25	402954	1	Seal, Sleeve	70	404314	1	Feed Claw
26	406013	1	Sleeve (4250/65C, CQ)	71	402017	1	Hinge Pin, Door
	406012	1	Sleeve (4250/65CP, CPQ)	72	402964	1	Spring, Work Contacting Element
*27	402961	1	"O" Ring, Flange	73	009037	2	Socket Head Capscrew, #10-32 x 1/2"
*28	091022	1	"O" Ring, Sleeve	74	008388	4	Flat Washer, #10
*29	402973	1	Sleeve/Bumper	75	402666	1	Bushing
30	403762	1	Bumper	76	402936	1	Work Contacting Element (4250/65C, CP)
31	097748	1	Spring, Valve Pin		402937	1	Work Contacting Element (4250/65CP, CPQ)
32	097746	1	Valve Pin	77	091733	3	Flexlock Nut, 1/4-20
33	401958	1	Valve Body	78	402486	1	Retaining Washer
*34	092174	1	"O" Ring, Valve Body	79	402487	1	Pivot Pin, Holdback Claw
35	026133	1	Roll Pin, 1/8" Dia. x 1" Lg.	80	402037	1	Holdback Claw
36	403771	1	Guard, Work Contacting Element	81	402026	1	Spring, Holdback Claw
37	403796	1	Roll Pin, 1/8" Dia. x 1-1/4" Lg.	82	402053	1	Door
38	402926	1	Housing	83	402461	1	Locator
39	402079	1	Pin, Trigger	84	096893	1	Nameplate (4250/65C, CP)
40	405147	1	Lever, Trigger		405553	1	Nameplate (4250/65 CQ, CPQ)
41	405144	1	Trigger	85	402659	2	Grommet
42	402668	1	Retaining Ring	86	015298	2	Socket Head Capscrew, #8-32 x 5/8"
43	500488	1	Grip, Handle	87	402938	1	Debris Shield (4250/65C, CQ)
44	005849	1	Roll Pin		402939	1	Debris Shield (4250/65CP, CPQ)
45	004502	1	Socket Head Capscrew, #10-32 x 5/8"	88	402066	1	Cover, Magazine
46	004238	4	Lock Washer, #10	▲ 89	091613	2	Socket Head Capscrew, #8-32 x 3/8"
				90	402081	1	Reinforcement Plate
				91	402083	1	Latch Plate

* Denotes normal wear items.

** Make sure warning label (500457) is properly affixed. Replace if necessary. Label available at no charge through the service department.

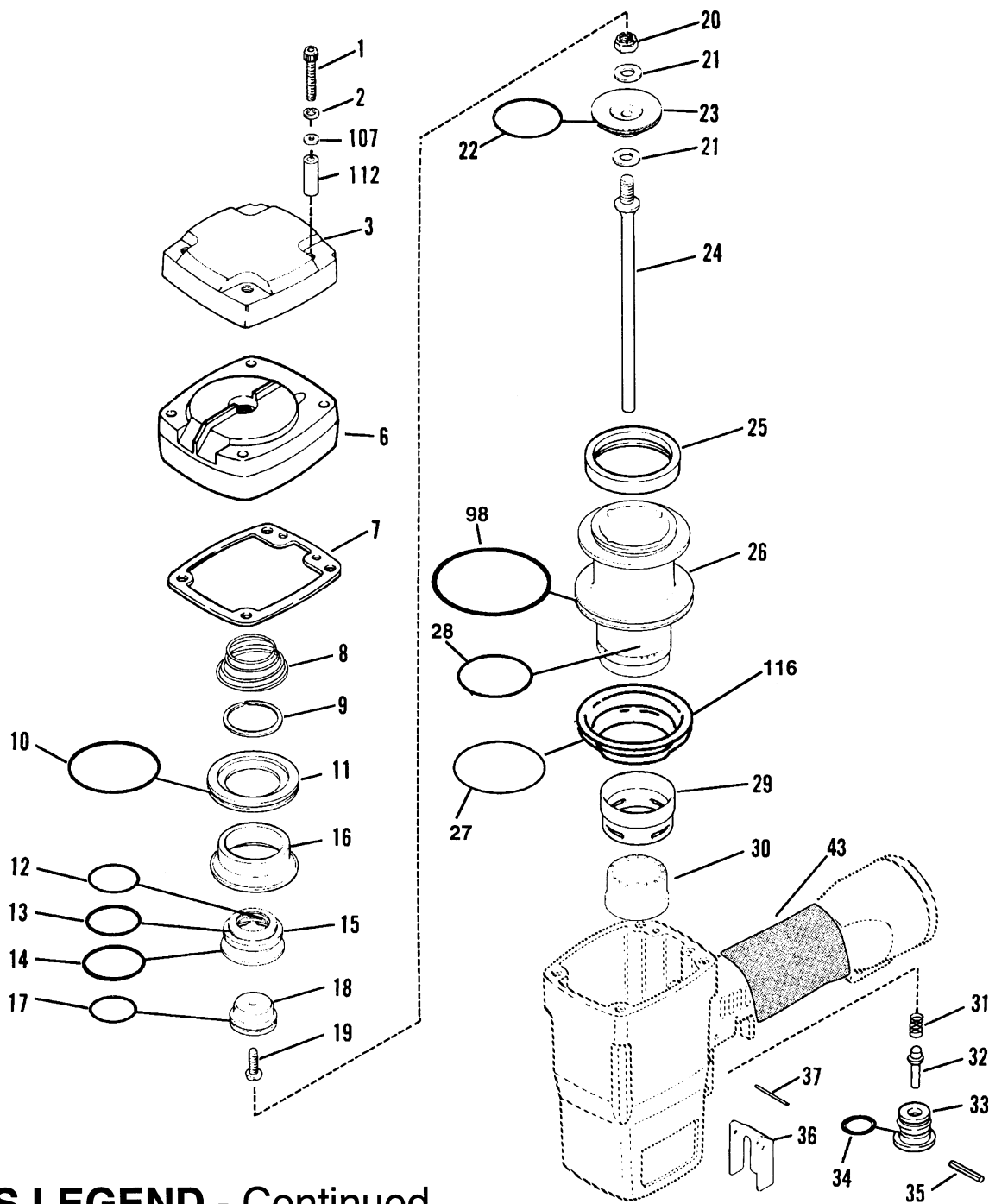
▲ Apply Loctite 242 (Blue) Part No. 093500

→ Denotes new change



WARNING

All parts must be periodically inspected and replaced if worn or broken. Failure to do this can affect the tool's operation and present a safety hazard.



PARTS LEGEND - Continued

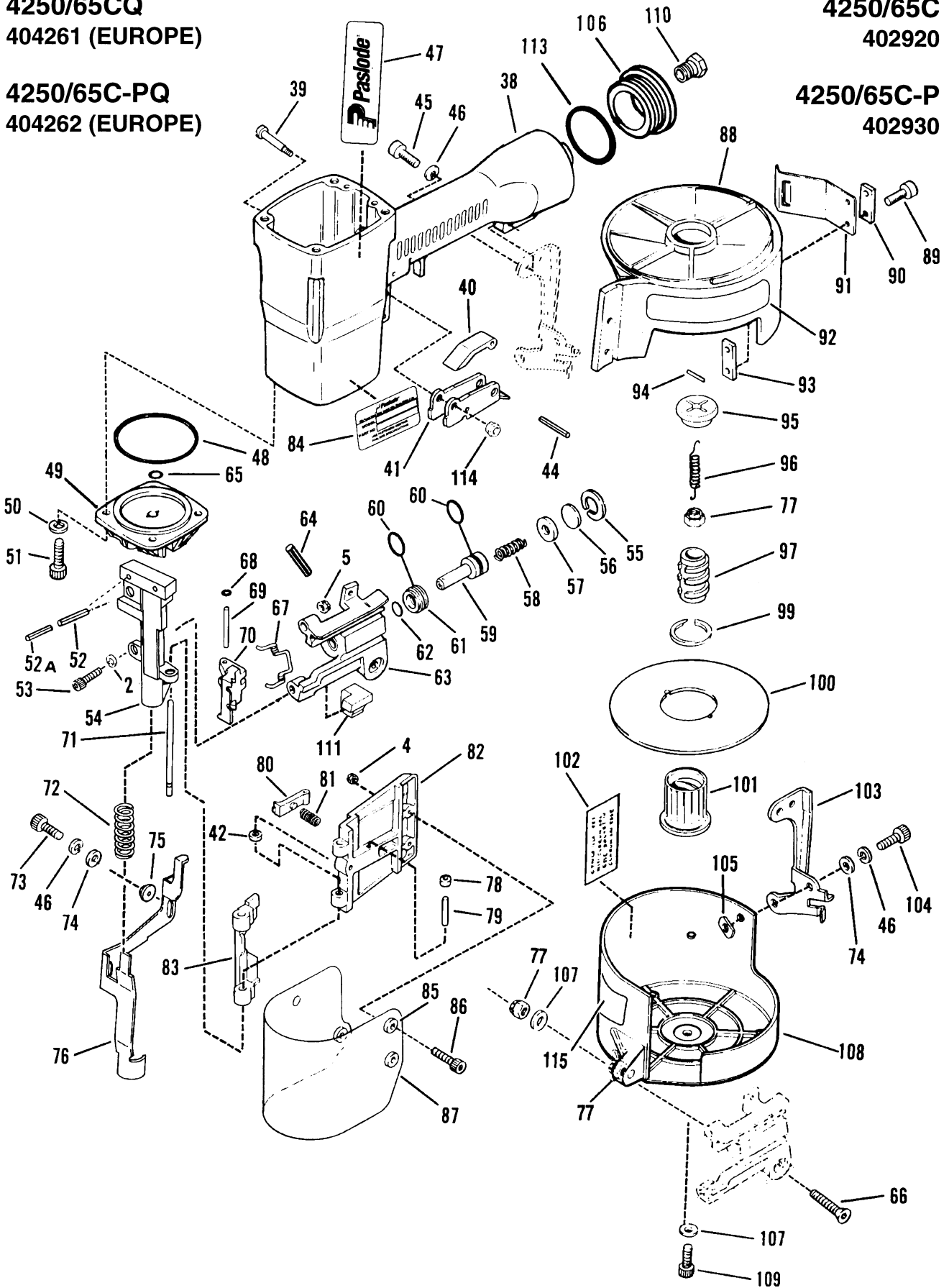
92	402655	1	Logo, Magazine (4250/65C, CP)	▲104	004224	2	Socket Head Capscrew, #10-32 x 3/8"
	405526	1	Fastener Label (4250/65CQ, CPQ)	105	402089	2	Teenut
93	402082	2	Nut Plate	106	401940	1	End Plug
94	091866	2	Roll Pin, 1/16" Dia. x 3/4" Lg.	107	091447	6	Flat Washer, 1/4"
95	403296	1	Cap, Post	108	402063	1	Magazine, 2-1/2"
96	402071	1	Extension Spring, Post	109	009041	1	Socket Head Capscrew, 1/4-20 x 3/4"
97	406046	1	Inner Center Post	110	091622	1	Reducing Pipe Bushing, 1/4" x 3/8"
98	401952	1	O-Ring, Sleeve	111	404313	1	Insert, Feeder Body
99	402075	1	Retaining Ring	112	402979	4	Spacer, Diffuser
100	402074	1	Nail Plate Assembly	113	091591	1	"O" Ring
101	406047	1	Outer Center Post	114	404325	1	Stop Nut
102	402905	1	Label	**115	500457	1	Warning Label (4250/65C, CP)
103	402946	1	Bracket, Magazine	116	406010	1	Flange, Sleeve

4250/65CQ
404261 (EUROPE)

4250/65C-PQ
404262 (EUROPE)

4250/65C
402920

4250/65C-P
402930



PARTS OFFERED AS ASSEMBLIES

402408 Trigger Assembly

Includes

40	405147	1	Lever, Trigger
41	405144	1	Trigger
44	005849	1	Roll Pin

500596 Post Assembly

Includes

77	091733	1	Flexloc Nut, 1/4 - 20
94	091866	2	Roll Pin, 1/16" Dia. x 3/4" Lg.
95	403296	1	Cap, Post
96	402071	1	Extension Spring, Post
97	406046	1	Inner Center Post
101	406047	1	Outer Center Post

500595 Tray Assembly

Includes

77	091733	1	Flexloc Nut, 1/4 - 20
94	091866	2	Roll Pin, 1/16" Dia. x 3/4" Lg.
95	403296	1	Cap, Post
96	402071	1	Extension Spring, Post
97	406046	1	Inner Center Post
99	402075	1	Retaining Ring
100	402074	1	Nail Plate Assembly
101	406047	1	Outer Center Post

402940 Cap Assembly (4250/65C, CQ)

500237 Cap Assembly (4250/65CP, CPQ)

Includes

6	500011	1	Cap (4250/65CP, CPQ)
	402932	1	Cap (4250/65C, CQ)
8	402959	1	Spring, Main Valve
9	500322	1	Retaining Ring
10	402962	1	"O" Ring, Upper Valve Piston
11	402941	1	Upper Valve Piston
12	092729	1	"O" Ring, Lower Valve Piston
13	004163	1	"O" Ring, Lower Valve Piston
14	402974	1	"O" Ring, Lower Valve Piston
15	500321	1	Lower Valve Piston
16	405211	1	Seal, Main Valve
17	402963	1	"O" Ring, Main Valve Post
18	402944	1	Post, Main Valve
19	070502	1	Button Head Socket Cap Screw, #8-32 x 1/2"

405212 Main Valve Assembly

Includes

9	500322	1	Retaining Ring
10	402962	1	"O" Ring, Main Valve Assembly
11	402941	1	Upper Valve Piston
12	092729	1	"O" Ring, Lower Valve Piston
13	004163	1	"O" Ring, Lower Valve Piston
14	402974	1	"O" Ring, Lower Valve Piston
15	500321	1	Lower Valve Piston
16	405211	1	Seal, Main Valve

403793 Piston Assembly (4250/65C, CQ)

403794 Piston Assembly (4250/65CP, CPQ)

Includes

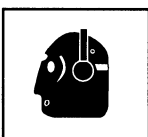
20	400196	1	Gripco Lock Nut, 3/8-24
21	095412	2	Washer, Driver Blade
22	091539	1	"O" Ring, Piston
23	402951	1	Piston
24	402956	1	Driver Blade, (4250/65C, CQ)
	402957	1	Driver Blade, (4250/65CP, CPQ)

SAFETY INSTRUCTIONS

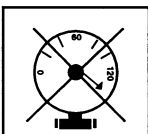
WEAR EYE AND HEARING PROTECTION



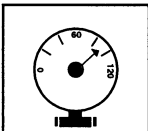
Always wear hearing protection and eye protection devices, including side shields when operating or working in the vicinity of a tool.



DO NOT EXCEED MAXIMUM RECOMMENDED AIR PRESSURE



Operate the tool using only the recommended air pressure. Do not exceed the maximum air pressure marked on the tool. Be sure the air pressure gauge is operating properly and check it at least twice a day.



Never use any bottled air or gases such as oxygen to operate the tool since they could cause the tool to explode.

AIR CONSUMPTION CHART

