



SERVICE PARTS LIST

BULLETIN NO.
54-16-3024

SPECIFY CATALOG NO. AND SERIAL NO. WHEN ORDERING PARTS		REVISED BULLETIN 54-16-3023	DATE June '86
TWO SPEED DYMODRILL			
CATALOG NO. 4030		STARTING SERIAL NO. 345-20100	
		WIRING INSTRUCTION 58-01-0395	
CAT. NO.	START SER. NO.	BILINGUAL LABEL	

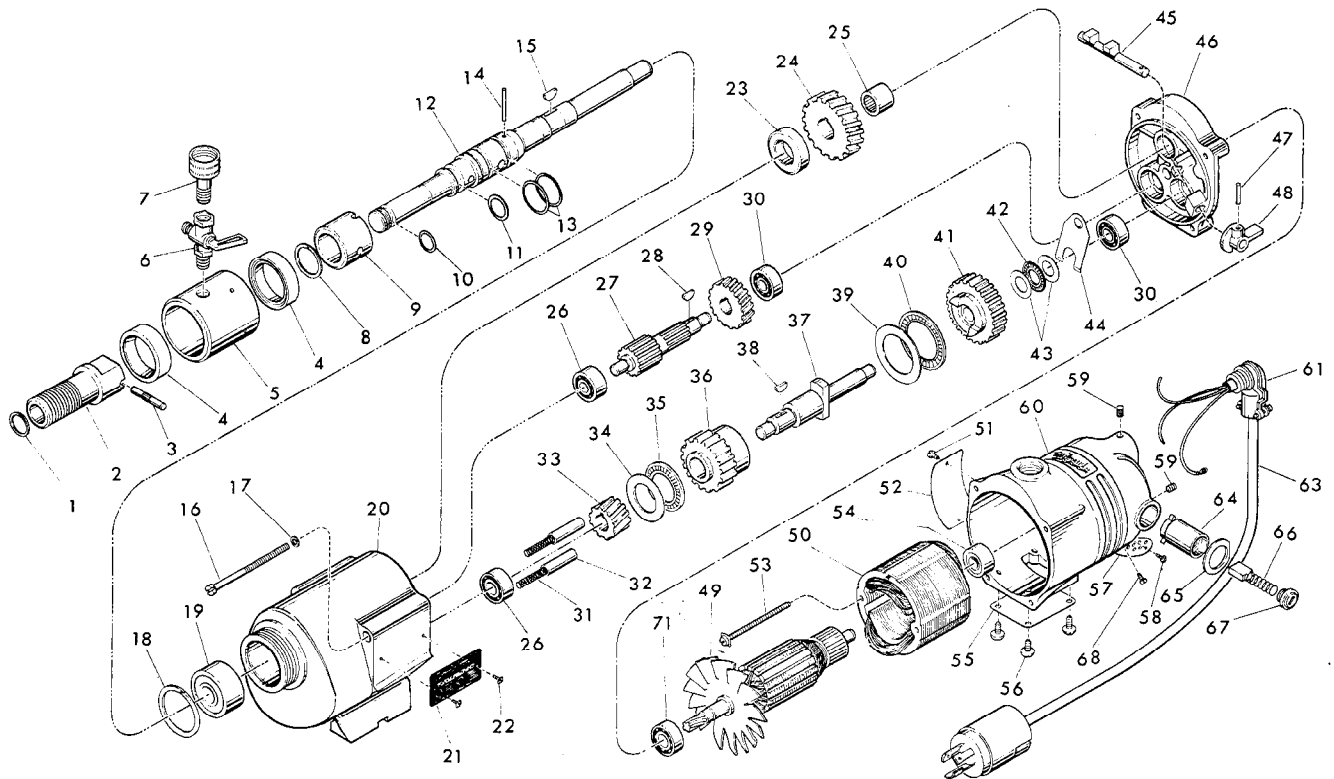


FIG.	PART NO.	DESCRIPTION OF PART	NO. REQ.	FIG.	PART NO.	DESCRIPTION OF PART	NO. REQ.
1	34-60-1800	Retaining Ring	(1)	35	02-80-1800	Thrust Bearing	(1)
2	45-22-0050	Spindle Sleeve	(1)	36	32-10-0061	Clutch Gear Assembly	(1)
3	44-60-0050	Shear Pin	(1)	37	36-14-0061	Clutch Shaft	(1)
4	45-06-0050	Trostel Seal	(2)	38	06-42-2000	Woodruff Key No. 404	(1)
5	43-76-0051	Water Swivel Housing (W/06-83-2430 Set Screw)	(1)	39	45-88-0530	Thrust Bearing Washer	(1)
6	45-80-0060	Shut Off Valve	(1)	40	02-80-5000	Thrust Bearing	(1)
7	42-04-0600	Water Hose Adapter	(1)	41	32-10-0051	Clutch Gear Assembly	(1)
8	34-60-2115	Retaining Ring	(1)	42	02-80-1200	Thrust Bearing	(1)
9	42-40-0391	Spindle Bushing	(1)	43	45-88-0510	Thrust Bearing Washer	(2)
10	34-40-1100	O-Ring	(1)	44	45-98-0090	Shifting Yoke	(1)
11	34-40-1200	O-Ring	(1)	45	30-15-0270	Shifting Cam	(1)
12	38-50-4555	Spindle	(1)	46	28-28-1370	Diaphragm (Includes 06-65-0680 Groove Pin)	(1)
13	34-40-1350	O-Ring	(2)	47	06-65-0840	1/8x3/4 Groove Pin	(1)
14	06-65-1530	1/8x1/2 Roll Pin	(1)	48	28-60-0056	Shift Cam Knob	(1)
15	06-42-2400	Woodruff Key No. 61	(1)	49	16-70-0160	120V. Armature	(1)
16	06-81-2125	1/4-20x3-1/2 Fil. Hd. Screw (See Note)	(4)	50	18-70-0120	120V. Field	(1)
17	06-97-3800	Lock Washer	(4)	51	06-85-0200	6x1/4 Rd. Hd. Type Z Screw	(2)
18	34-80-3800	Retaining Ring	(1)	52	12-99-0040	Nameplate Blank	(1)
19	02-20-2515	Ball Bearing	(1)	53	06-81-9225	10-24x2-3/4 Rd. Hd. Sem	(2)
★ 20	28-14-1870	Gear Case Assy. (Includes 44-60-0320 Pivot Pin and 06-65-1535 Roll Pin)	(1)	54	02-04-1070	Ball Bearing	(1)
21	12-98-2100	Instruction Plate	(1)	55	44-66-0050	Body Cover Plate	(1)
22	06-81-5789	4-40x1/4 Taptite Screw	(2)	56	06-81-5000	1/4-20x3/8 Truss Hd. Screw	(4)
23	45-36-1245	Spacer	(1)	57	44-66-0180	Cover Plate	(1)
24	32-75-2521	Spindle Gear	(1)	58	06-81-8650	6-32x1/4 Rd. Hd. Sem	(2)
25	02-50-4830	Needle Bearing	(1)	59	06-83-2650	1/4-20x3/8 Knrl. Set Screw	(3)
★ 26	02-04-1205	Ball Bearing	(2)	60	28-50-4122	Motor Housing (Incl 45-30-0110 BB Rtnng Slug)	(1)
27	36-66-3751	Pinion Shaft Assembly	(1)	61	22-56-0060	Squeeze Connector	(1)
28	06-42-1600	Woodruff Key No. 304	(1)	63	22-64-0040	Cord Set (Includes 23-36-0120 Plug)	(1)
29	32-40-1581	Intermediate Gear	(1)	64	22-22-1015	Brush Holder Assembly	(2)
30	02-04-1205	Ball Bearing	(2)	65	23-86-0060	Insulating Washer	(2)
31	40-50-6300	Shifting Spring	(2)	66	22-18-0055	Carbon Brush Assembly	(2)
32	44-70-0100	Shifting Plunger	(2)	67	23-44-0030	Brush Retaining Screw	(2)
33	32-60-1041	Pinion Gear	(1)	68	06-81-8625	6-32x1/4 Ground Screw	(1)
34	45-88-0520	Thrust Bearing Washer	(1)	69	12-98-7082	Caution Plate (Not Shown)	(1)
				70	49-96-4700	1-3/8" Open End Wrench (Not Shown)	(1)
				71	02-04-1260	Ball Bearing	(1)

NOTE

FIG. 16 Apply Type 242 Blue Loctite and Torque To 65-85 In. Lbs.