



BOSCH

Table Saw

4100 | 3 601 L13 012

Table of Content

Spare parts list.....	2
Illustration - Type.....	9

Spare parts list

Item	Part Number	Description	Illustration
70	2 610 355 325	Spring Washer	1
107	2 610 910 013	Washer	1
108	2 610 950 069	Screw	1
109	2 610 950 070	Bushing	1
110	2 610 950 071	Screw	1
112	2 610 996 921	Holding Bracket	1
113	2 610 996 913	Pin	1
114	2 610 996 917	Plate	1
116	2 610 997 275	Pin	1
117	2 610 997 274	Pin	1
118	2 610 996 918	Set screw	1
119	2 610 996 920	Connecting Nut	1
120	2 610 996 919	Rod	1
121	2 610 994 262	Clamp	1
122	2 610 996 915	Clamping Piece	1
124	2 610 950 073	Clamping Lever	1
126	1 619 PB2 555	Table top	1
127	2 610 950 075	Mounting Rail	1
128	2 610 996 912	Fixing Plate	1
129	2 610 950 076	Mounting Rail	1
131	2 610 951 945	Screw	1
132	2 610 950 077	Screw	1
133	2 610 950 078	Pointer	1
134	2 610 950 079	Profile Rail	1
135	2 610 018 277	Stamped Part	1
138	2 610 950 080	Cover	1
139	2 610 950 082	End stop	1
140	2 610 950 083	Profile Rail	1
141	2 610 997 218	Cover	1
142	1 619 PB2 552	Rail	1
143	2 610 997 216	Cover	1
144	1 619 PB2 554	Table top Old	1
145	2 610 950 086	mounting plate	1
146	2 610 950 087	Screw	1
147	2 610 304 772	Nut	1

Spare parts list

Item	Part Number	Description	Illustration
149	2 610 950 088	Profile Rail	1
150	2 610 950 089	Screw	1
151	2 610 950 090	Profile Rail	1
152	2 610 950 091	Set screw	1
153	2 610 011 716	Holding Spring	1
169	2 610 950 094	Handle Cover	1
170	2 610 950 095	Housing	1
171	2 610 950 096	Bolt	1
172	2 610 950 097	Bolt	1
173	2 610 996 890	Lever	1
174	2 610 996 889	Cam	1
175	2 610 997 289	Pin	1
176	2 610 950 098	Clamping Plate	1
177	2 610 997 291	Pin	1
178	2 610 950 099	Clamping Plate	1
179	2 610 997 249	Shoulder Screw	1
180	2 610 950 100	Pad	1
181	2 610 997 810	Warning Label	1
182	1 619 PB3 866	Pad	1
183	2 610 950 102	Bracket	1
184	2 610 950 103	Screw	1
185	2 610 950 104	Pin	1
186	2 610 950 105	Edge Guide	1
187	2 610 996 888	Spring	1
188	2 610 950 106	Profile Rail	1
189	2 610 358 802	Washer	1
190	2 610 950 107	Edge Guide	1
191	1 619 PB3 867	Pad	1
193	2 610 996 885	Clamping Plate	1
194	2 610 997 240	Clamping Piece	1
195	2 610 997 293	Screw	1
196	2 610 997 245	Adjusting Screw	1
200	2 610 950 108	Screw	1
202	2 610 997 817	Adhesive Label	1
206	2 610 950 111	Pusher	1

Spare parts list				
Item	Part Number	Description		Illustration
208	2 610 998 593	Spring		1
221	2 610 950 119	Profile Rail		1
223	2 610 950 121	End stop		1
227	2 610 950 125	Profile Rail		1
228	2 610 950 126	Mounting Bracket		1
229	2 610 950 127	Mounting Bracket		1
237	2 610 950 133	Screw		1
238	2 610 950 134	Bolt		1
239	2 610 950 135	Washer		1
240	2 610 950 136	Mounting Bracket		1
241	1 619 PB2 556	Strap		1
243	2 610 950 139	Cam		1
247	2 610 950 143	Lens		1
248	2 610 950 144	Magnet		1
249	2 610 950 145	Edge Guide		1
250	2 610 950 146	Washer		1
251	2 610 950 147	Screw		1
258	2 610 950 148	Edge Guide		1
259	2 610 950 149	Mitre Fence		1
262	2 610 028 342	Cap Nut		1
263	1 600 A00 J57	Contact strap		1
1	1 619 PA8 038	Motor Spare Parts Set		2
2	1 619 PA5 590	Field		2
3	1 619 PA5 591	Armature		2
10	2 610 997 207	Carbon-Brush Set		2
12	2 610 997 306	Speed governor	115-120V	2
13	2 610 004 595	Ball Bearing		2
14	2 610 911 927	Ball Bearing		2
16	2 610 013 003	Brush Holder	NEU	2
22	2 610 996 865	Cover		2
23	2 610 018 983	Screw	NEU	2
24	2 610 916 802	Brush-Cover	Ø 22mm	2
26	2 610 911 569	Insert		2
27	2 610 911 929	Screw		2
28	2 610 996 948	Rubber Ring		2

Spare parts list

Item	Part Number	Description	Illustration
29	2 610 911 566	Bearing cover	2
30	2 610 950 427	Set screw	2
31	2 610 996 863	Gear Housing	2
32	2 610 945 505	Screw	2
33	2 610 950 042	Spring Washer	2
34	2 610 996 949	Ball Bearing	2
35	2 610 997 282	Spring retaining ring	2
36	2 610 997 208	Toothed Gear	2
37	2 610 996 869	Gear Cover	2
38	2 610 997 281	Spring retaining ring	2
39	2 610 997 210	Ball Bearing	2
40	2 610 950 043	Label	2
41	2 610 012 984	Woodruff Key	2
42	2 610 996 932	Bearing Sleeve	2
43	2 610 950 044	Screw	2
44	2 610 998 572	Screw	2
45	2 610 996 875	Torsion Spring	2
46	2 610 996 874	Locking Lever	2
47	2 610 996 876	Shoulder Screw	2
48	2 610 950 045	Washer	2
49	2 610 950 046	Clamping Flange	2
50	2 610 950 047	Arbor	2
51	2 610 996 879	Wing Screw	2
52	2 610 950 048	Cover Plate	2
53	2 610 950 049	Screw	2
54	2 610 950 050	Cover Panel	2
55	2 610 950 051	Cover Plate	2
56	2 610 950 052	Guiding bolt	2
58	2 610 950 053	Threaded Rod	2
59	2 610 998 573	Spring retaining ring	2
60	2 610 997 221	Bushing	2
61	2 610 996 896	Toothed Gear	2
62	2 610 912 587	Plain Washer	2
63	2 610 998 588	Screw	2
64	2 610 358 149	Nut	2

Spare parts list

Item	Part Number	Description	Illustration
65	2 610 950 054	Bolt	2
87	2 610 911 901	Self-locking nut	2
104	2 610 998 567	Cable Clip	2
111	2 610 998 587	Screw	2
154	2 610 950 092	Protective Cover	2
157	2 610 950 093	Safety Device	2
199	2 610 998 580	Screw	2
201	2 610 992 380	Spring retaining ring	2
203	2 610 358 932	Connector	2
204	2 610 950 109	Washer	2
207	2 610 911 933	Connector	2
209	2 610 912 588	Plain Washer	2
222	2 610 950 120	Set screw	2
246	1 600 A01 R19	Riving Knife	2
257	2 610 911 896	Nut	2
4	2 610 008 538	Switch	3
5	2 610 996 945	Power supply cord	3
6	2 610 950 038	grommet	3
7	2 610 358 842	Clamp	3
8	2 610 050 484	Nameplate	3
9	2 610 950 040	Packaging Instructions	3
19	2 610 358 841	Attachment Screw	3
20	2 610 950 041	Warning Label	3
57	2 610 997 276	Spring retaining ring	3
66	2 610 997 277	Spring retaining ring	3
67	2 610 997 212	Mounting Bracket	3
68	1 619 PA5 649	Bushing	3
72	2 610 996 933	Threaded Bushing	3
73	2 610 996 938	Bushing	3
74	2 610 950 055	Screw	3
75	2 610 997 271	Spring	3
76	2 610 998 550	Plain Washer	3
78	2 610 997 298	Nut	3
81	2 610 950 058	Threaded Rod	3
82	2 610 950 059	Handle	3

Spare parts list

Item	Part Number	Description	Illustration
83	2 610 950 060	Screw	3
84	2 610 950 061	Pin	3
85	2 610 950 062	Pointer	3
86	2 610 347 092	Plain Washer	3
89	2 610 996 929	End stop	3
90	2 610 950 063	Base	3
91	2 610 997 294	Screw	3
92	2 610 950 064	Screw	3
93	2 610 358 846	Rubber Bushing	3
94	2 610 996 930	Pickup Clip	3
95	2 610 950 065	Housing	3
96	2 610 950 066	Switch Cover	3
97	2 610 990 504	Cable Clip	3
98	2 610 950 067	Holding Spring	3
99	2 610 997 246	Nut	3
100	2 610 996 880	Box Wrench	3
101	2 610 997 247	Wing Nut	3
102	2 610 950 141	Screw	3
103	2 610 998 574	Screw	3
105	2 610 998 568	Connecting Cable	3
106	2 610 997 297	Screw	3
197	2 610 911 920	Rubber Bushing	3
198	2 610 998 551	Hexagon Socket Screw Key	3
205	2 610 950 110	Profile Rail	3
210	2 610 950 112	Knob	3
211	2 610 950 113	Clamping Flange	3
212	2 610 950 114	Linkage	3
213	2 610 950 115	Spring	3
218	2 610 950 117	Screw	3
219	2 610 950 389	Washer	3
220	2 610 950 118	Screw	3
230	2 610 950 128	Housing	3
231	2 610 945 488	Screw	3
232	2 610 950 129	Plain Washer	3
233	2 610 950 130	Profile Rail	3

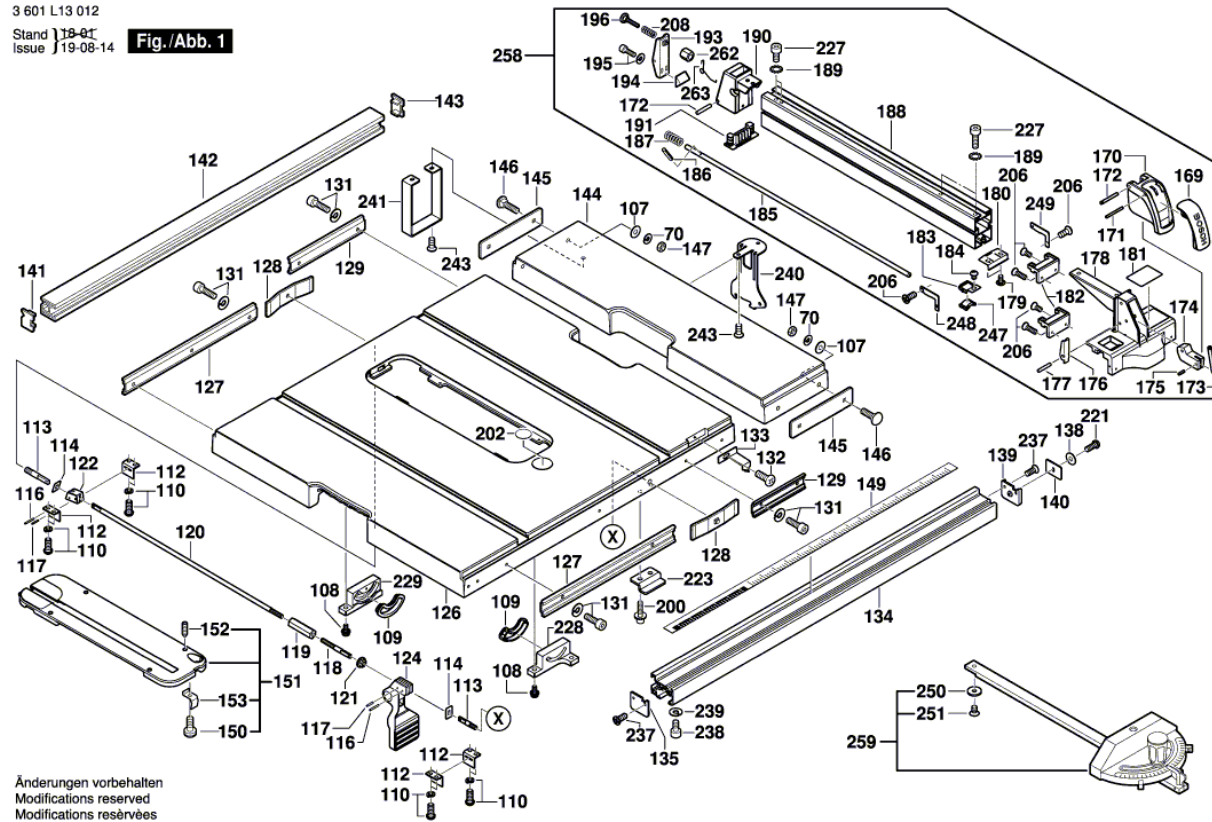
Spare parts list

Item	Part Number	Description	Illustration
234	2 610 950 131	Screw	3
236	2 610 950 132	Screw	3
245	2 610 950 068	Protective Cover	3
260	2 610 958 586	Stamped Part	3
814	1 609 B06 826	Clamping Lever	3
880	1 619 PB2 533	Handwheel	3
813	1 619 PA7 214	Lever	4
821	1 619 PB2 873	Wheel	4
839	1 619 PB2 847	Set of screws	4
850	1 619 PB2 871	Stand Foot	4
853	1 619 PB2 860	Set of screws	4

Illustration - Type - E

3 601 L13 012
 Stand | 19-01
 Issue | 19-08-14

Fig./Abb. 1

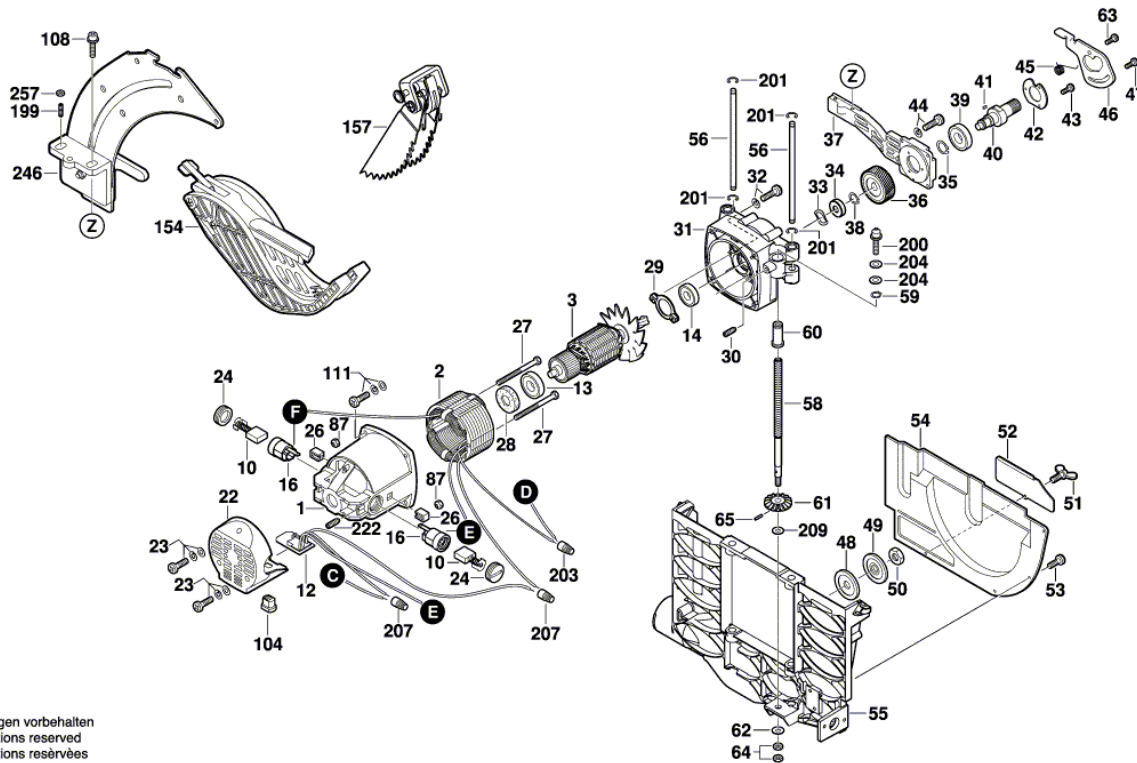


Änderungen vorbehalten
 Modifications reserved
 Modifications réservées
 Salvo modificaciones

Illustration - Type - E

3 601 L13 012

Stand } 18-01-18 Fig./Abb. 2
 issue }



Änderungen vorbehalten
 Modifications reserved
 Modifications réservées
 Salvo modificaciones

Illustration - Type - E

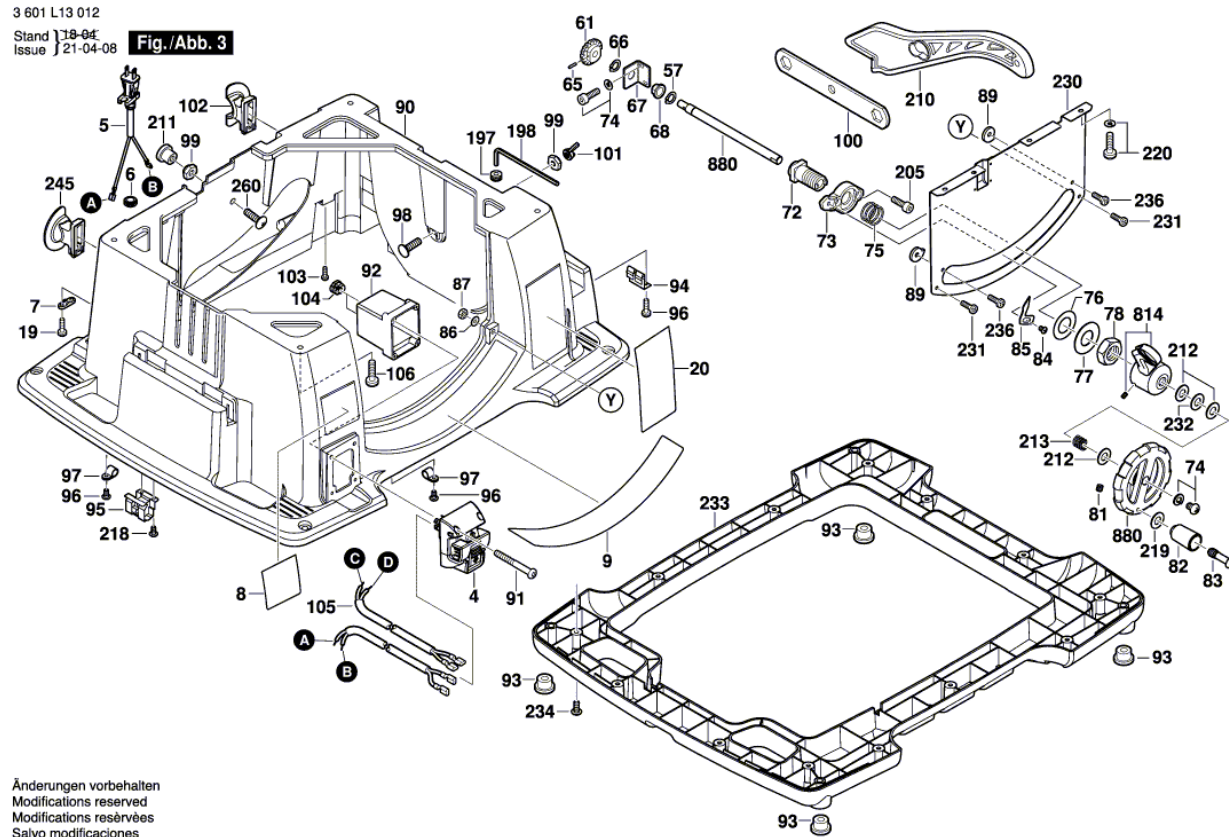
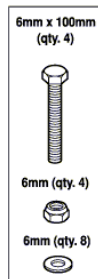
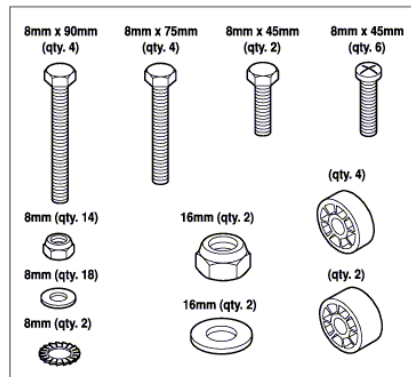


Illustration - Type - E

3 601 L13 012
 Stand } 18-01-18
 Issue } **Fig. /Abb. 4**



Änderungen vorbehalten
 Modifications reserved
 Modifications reserves
 Salvo modificaciones

