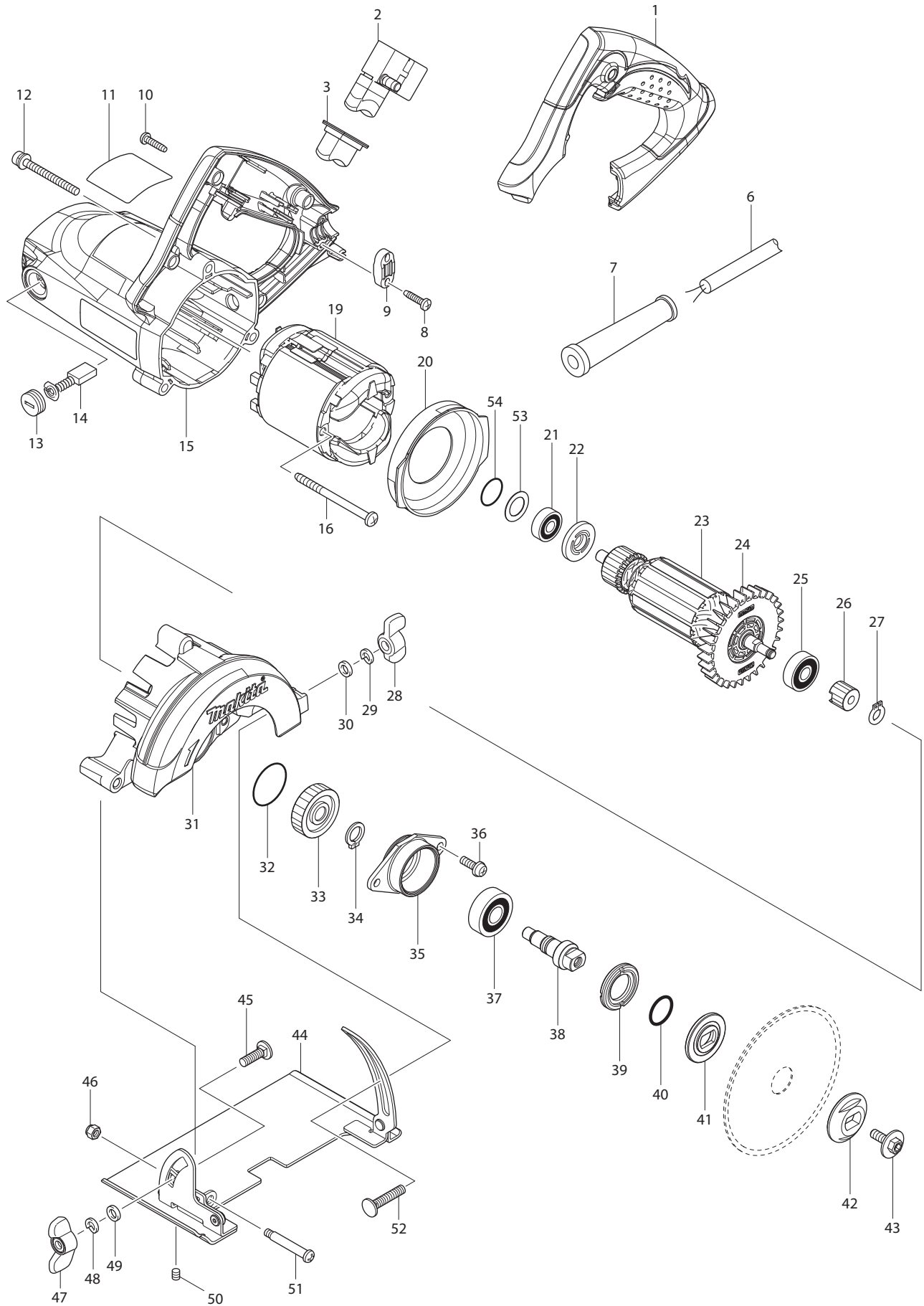




04 - 2012  
4100NH2ZX1  
4" MASONRY SAW



Item No.		Part No.	Description	Qty	Unit
1		450838-7	HANDLE COVER	1	PC.
2	2	650248-0	SWITCH SGES115C-3	1	PC.
3	3	424585-6	DUST COVER	1	PC.
6		664265-4	CORD W/PLUE 2P-16-2.5M, SJ	1	PC.
7		682505-8	CORD GUARD 10-90	1	PC.
8		265995-6	TAPPING SCREW 4X18	2	PC.
9		687063-9	CORD CLAMP	1	PC.
10		265995-6	TAPPING SCREW 4X18	4	PC.
11		897639-6	NAME PLATE F/4100NH2	1	PC.
12		911263-2	PAN HEAD SCREW M5X40	3	PC.
13		643750-0	BRUSH HOLDER CAP	2	PC.
14		194996-6	CARBON BRUSH CB-303 2PC/SET	1	SET
15		141728-2	MOTOR HOUSING COMPLETE	1	PC.
		INC. 643708-9	BRUSH HOLDER 5-11	2	PC.
		INC. 892784-2	CAUTION LABEL, FR/SP	1	PC.
16		266038-7	TAPPING SCREW 5X70	2	PC.
19		594581-9	FIELD ASSY 115V	1	PC.
		INC. 654020-2	RING TERMINAL	2	PC.
		INC. 654501-6	CONNECTOR P-1.25	2	PC.
20		450839-5	BUFFLE PLATE	1	PC.
21		211395-8	BALL BEARING 608LLU	1	PC.
22		681644-1	INSULATION WASHER	1	PC.
23		510220-3	ARMATURE ASS'Y 115V	1	PC.
		INC.	Item No. 21,22,24,25		
24		240109-8	FAN 70	1	PC.
25		211092-6	BALL BEARING 629DDW	1	PC.
26		226695-3	HELICAL GEAR 17	1	PC.
27		961002-0	RETAINING RING S-6	1	PC.
28		252649-4	THUMB NUT M6	1	PC.
29		942151-2	SPRING WASHER 6	1	PC.
30		941151-9	FLAT WASHER 6	1	PC.
31	1	158836-2	BLADE CASE COMPLETE	1	PC.
		INC. 212046-6	NEEDLE BEARING 810	1	PC.
		INC. 213445-5	O-RING 26	1	PC.
	2	142541-1	BLADE CASE COMPLETE	1	PC.
		INC. 212046-6	NEEDLE BEARING 810	1	PC.
		INC. 213445-5	O-RING 26	1	PC.
32		213444-7	O RING 30	1	PC.
33		226696-1	HELICAL GEAR 44	1	PC.
34		961052-5	RETAINING RING S-12	1	PC.
35	1	318346-3	* BEARING BOX	1	PC.
	2	319044-2	* BEARING BOX	1	PC.
36		911223-4	PAN HEAD SCREW M5X16	2	PC.
37		211129-9	BALL BEARING 6201DDW	1	PC.
38		325603-2	SPINDLE	1	PC.
39	1	285834-4	* BEARING RETAINER 19-33	1	PC.
	2	285858-0	* BEARING RETAINER 19-33	1	PC.
40		213279-6	O RING 18	1	PC.
41		224423-0	INNER FLANGE 36	1	PC.
42		224424-8	OUTER FLANGE 36	1	PC.
43		266510-9	HEX. SOCKET HEX. BOLT M6X18	1	PC.
44		165548-0	BASE	1	PC.
45		251919-8	CAP SQUARE NECK BOLT M6X20	1	PC.
46		252103-8	HEX. LOCK NUT M5-8	1	PC.
47		252649-4	THUMB NUT M6	1	PC.
48		942151-2	SPRING WASHER 6	1	PC.
49		941151-9	FLAT WASHER 6	1	PC.

<b>Item No.</b>	<b>Part No.</b>	<b>Description</b>	<b>Qty</b>	<b>Unit</b>
50	266264-8	H.S.SET SCREW(FLAT POINT)M5X6	1	PC.
51	266515-9	+ PAN HEAD SCREW M5	1	PC.
52	251920-3	CAP SQUARE NECK BOLT M6X30	1	PC.
53	253192-6	FLAT WASHER 14	1	PC.
54	213262-3	O RING 18	1	PC.
100	455133-0	* SPONGE (Added)	1	PC.
C01	873698-4	CARTON F/4100NH2X1	1	PC.
D01	652008-6	PAN HEAD SCREW M3.5X7	2	PC.
D02	654037-5	INSULATED TERM. FK1.25-M3	2	PC.
D03	654509-0	CONNECTOR 2-SD	1	PC.

**ACCESSORIES**

- See catalogue or visit [www.makita.ca](http://www.makita.ca) for more optional accessories -

A01	1	781011-1	WRENCH 22	1	PC.
	2	781041-2	WRENCH 22	1	PC.
A02	1	783203-8	HEX. WRENCH 5	1	PC.
	2	783217-7	HEX. WRENCH 5	1	PC.
A03		A-94546	4" TURBO RIM DIAMOND WHEEL, WET/DRY	1	PC.
A04		D-36968	4-3/8" CURVED DIAMOND WHEEL 20MM, DRY	1	PC.

**SERVICE CHANGES**

**1. Changes on Bearing box and Bearing retainer**

(TI#A1058)

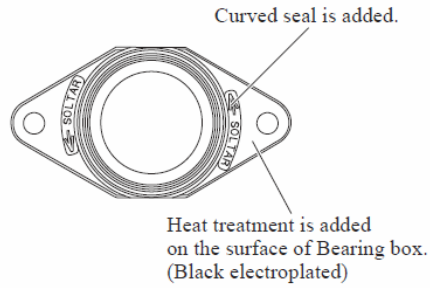
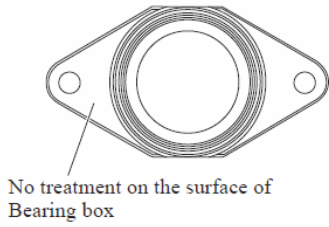
Item No.	Description	Type 1	Type 2
35	Bearing box	318346-3	319044-2
39	Bearing retainer 19-33	285834-4	285858-0

Above parts are completely interchangeable as a set.

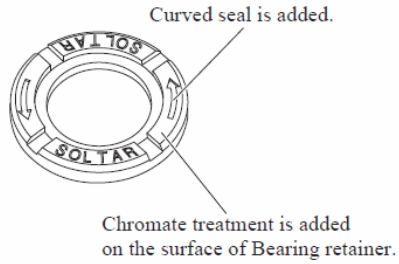
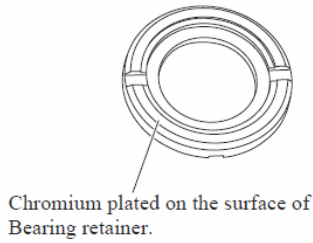
Type 1

Type 2

① Bearing box



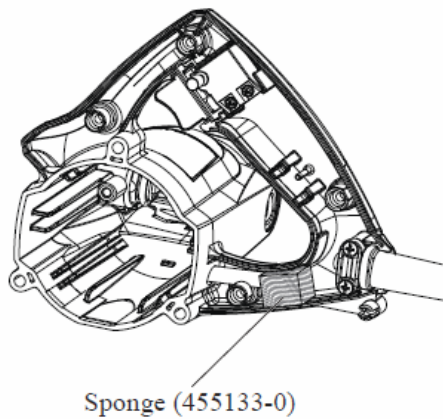
② ③ Bearing retainer 19-33



**2. Addition of Sponge**

(TI#A2622)

Item No.	Description	Type 1
100	Sponge	455133-0



3. Changes on Blade case complete

(TI#A2368)

Item No.	Description	Type 1	Type 2
31	Blade case complete	158836-2	142541-1

Type 1

Type 2

