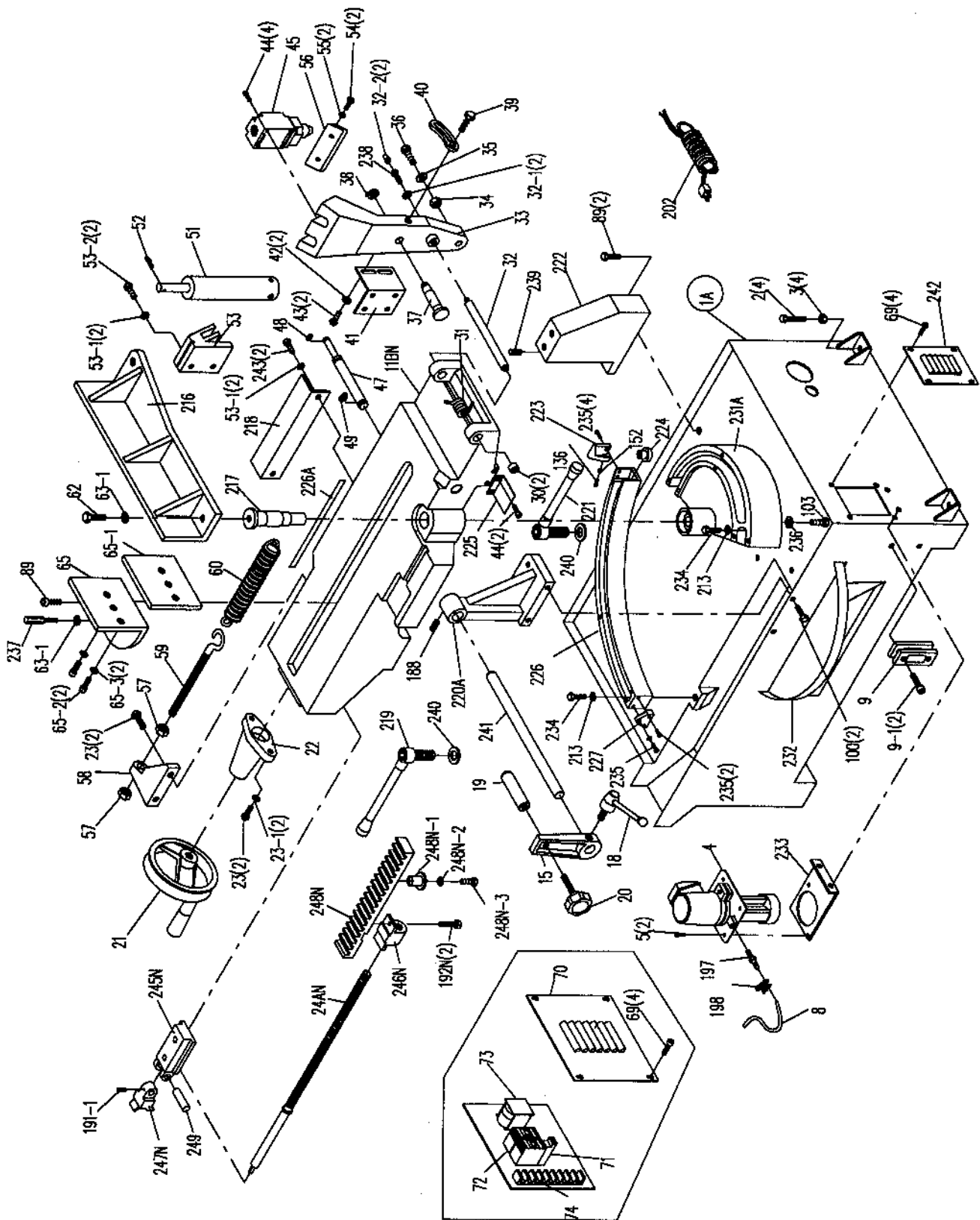
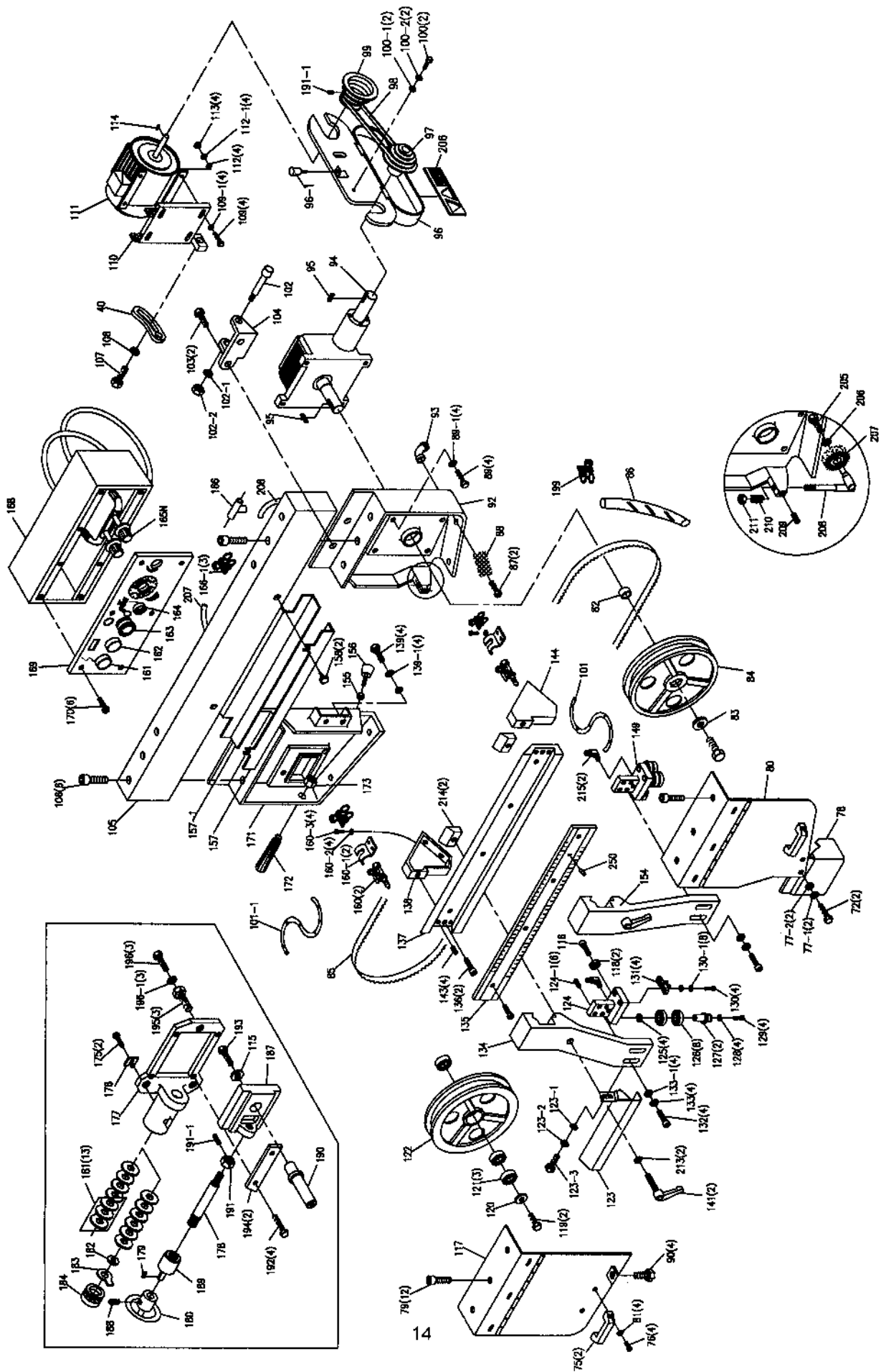


Base and Bed Assembly





Parts List for the MBS-1014W Bandsaw

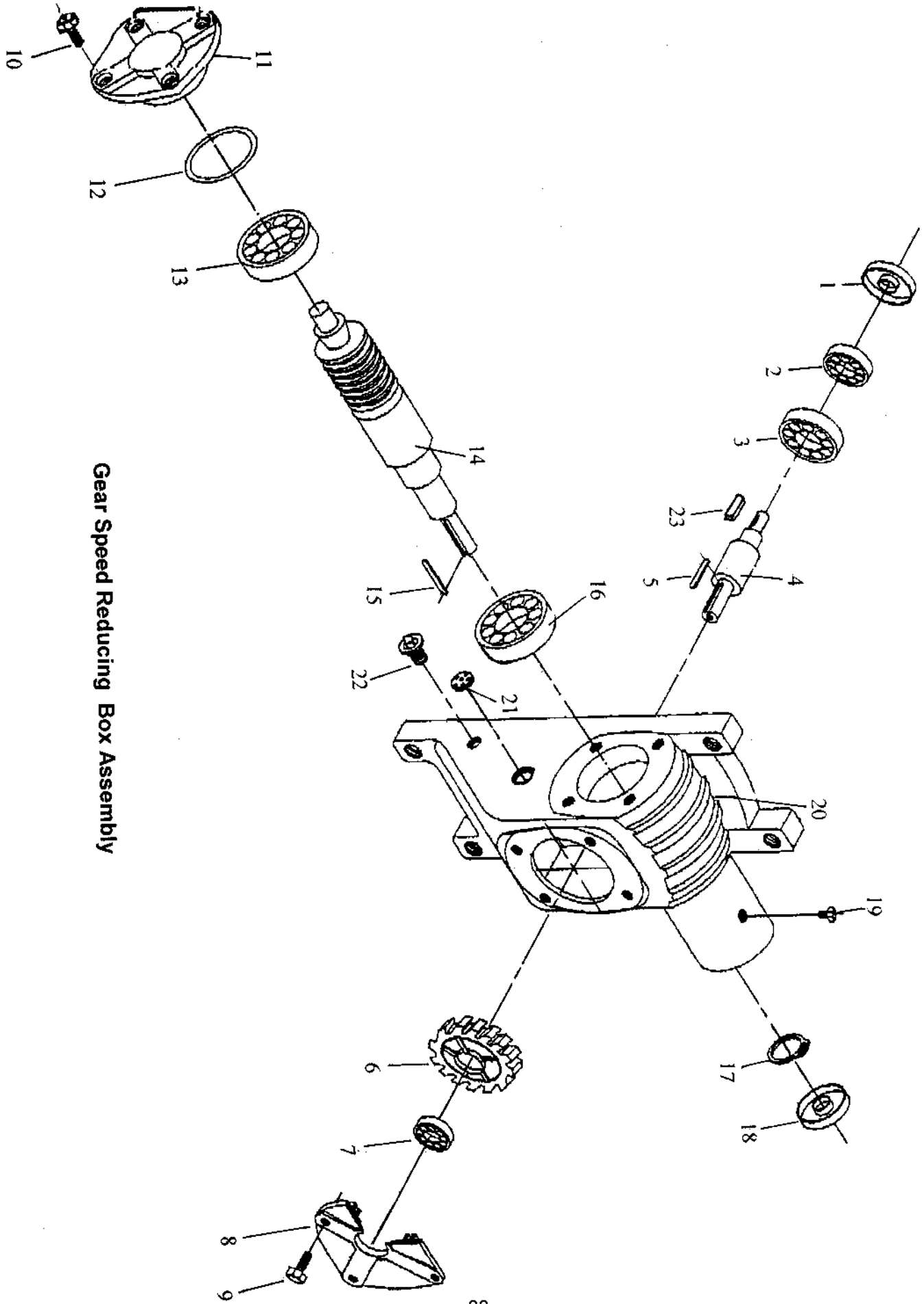
Index No.	Part No.	Description	Size	Qty.
1A	MBS1014W-1A	Base		1
2	TS-1492071	Hex Cap Bolt	M12x70	4
3	TS-1540081	Hex Nut	M12	4
4	HBS916W-CP	Coolant Pump (1Ph)		1
	MBS1014W-CP	Coolant Pump (3Ph)		1
5	TS-15311051	Pan Head Screw	M6x16	2
8	HBS916W-08	Hose		1
9	HBS916W-09	Coolant Gauge		1
9-1	TS-1491041	Hex Cap Bolt	M10x30	2
11A	MBS1014W-11A	Bed		1
11B	MBS1014W-11B	Bed (S/N:01021646 and lower)		1
11BN	MBS1014W-11BN	Bed (S/N:01021647 and higher)		1
15	HBS916W-16	Stop Bracket		1
18	HBS916W-18	Lock Handle		1
19	HBS916W-19	Work Stop		1
20	HBS916W-20	Lock Knob		1
21	HBS1018W-21	Handle Wheel Assembly		1
22	HBS1018W-22	Lead Screw Seat		1
23	TS-1490051	Hex Cap Bolt	M8x30	4
23-1	TS-1551061	Lock Washer	M8	2
24A	MBS1014W-24A	Lead Screw(S/N:01021646 and lower)	780mm	1
24AN	MBS1014W-24AN	Lead Screw (S/N:01021647 and higher)	530mm	1
25	HBS916W-25	Lead Screw Bracket (S/N 903358 and lower)		1
26	HBS916W-26	Acme Nut (re:HBS916W-26A) (S/N 903358 and lower)		1
	HBS916W-26A	Acme Nut Assembly (inc.26, 27, 28, 29) (S/N 903358 and lower)		1
27	HBS916W-27	Button (re:HBS916W-26A) (S/N 903358 and lower)		1
28	HBS916W-28	Retainer (re:HBS916W-26A) (S/N 903358 and lower)		2
29	HBS916W-29	Pan Head Screw (re:HBS916W-26A) (S/N 903358 and lower)		1
30	HK-2516-2RS	Needle Bearing		2
31	HBS1018W-31	Torsion Spring		1
32	HBS916W-32	Pivot Shaft		1
32-1	TS-1550041	Washer	M12	2
32-2	HBS916W-32-2	Bolt w/Zerk fitting		2
33	HBS1018W-33	Pivot Bracket		1
34	TS-1540081	Nut	M12	1
35	TS-1550081	Washer	M12	1
36	TS-1492041	Hex Cap Bolt	M12x40	1
37	HBS916W-37	Torsion Spring Shaft		1
38	HBS916W-38	C-Ring	S-22	1
39	TS-1490041	Hex Cap Bolt	M8x25	1
40	HBS1018W-40	Motor Tilt Plate		1
41	HBS916W-41	Limit Switch Plate		1
42	TS-1550061	Washer	M8	2
43	TS-1490031	Hex Cap Bolt	M8x20	2
44	TS-1482021	Hex Cap Screw	M6x12	6
45	HBS916W-45	Limit Switch		1
47	HBS1018W-47A	Cylinder Pin		1
48	HBS916W-48	C-Ring	S-20	1
49	HBS916W-49	C-Ring	S-25	2
51	HBS1018W-51	Hydraulic Cylinder Assembly		1
52	HBS916W-52	Cylinder Pin		1
53	HBS1018W-53	Hydraulic Mounting plate-Top		1
53-1	TS-1551071	Lock Washer	M10	4
53-2	TS-1491041	Hex Cap Bolt	M10x30	2
54	TS-1492051	Hex Cap Bolt	M12x50	2

Index No.	Part No.	Description	Size	Qty.
55	TS-1550081	Washer	M12	2
56	HBS916W-56	Plate		1
57	TS-0561051	Hex Nut	1/2"	2
58	HBS916W-58	Spring Bracket		1
59	HBS916W-59	Adjustable C- Bolt		1
60	HBS1018W-60	Spring		1
62	TS-1492041	Hex Cap Bolt	M12x40	2
63-1	TS-1551081	Lock Washer (S/N:0202755 and lower)	M12	6
	TS-1551081	Lock Washer (S/N:0202756 and higher)	M12	2
65	HBS916W-64	Vise Jaw-left		1
65-1	MBS1014W-65-1	Extension plate		1
65-2	MBS1014W-65-2	Hex Socket Cap Screw		2
65-3	MBS1014W-65-3	Lock Washer		2
69	TS-15030114	Hex Socket Cap Bolt	M6x8	8
70	HBS916W-70	Electrical Panel Cover		1
71	HBS916W-71	Fuse Block		2
72	HBS1018W-72	Magnetic Switch (1Ph)		1
	MBS1014W-72	Magnetic Switch (3Ph)		1
73	HBS1018W-73	Transformer (1Ph)		1
	MBS1014W-73	Transformer (3Ph)		1
74	HBS916W-74	Transformer Strip		1
75	HBS916W-75	Handle		1
76	TS-1534051	Pan Head Screw	M6x16	4
77	TS-1482021	Hex Cap Bolt	M6x12	2
77-1	TS-1551041	Lock Washer	M6	2
77-2	TS-1550041	Washer	M6	2
78	HBS916W-78	Wire Brush Guard		1
79	TS-1503011	Hex Socket Cap Screw	M6x8	12
	HBS1018W-79A	Adjustable Bracket Mount-rear (not shown)		1
80	HBS1018W-80	Blade wheel Cover-right		1
81	TS-1550041	Washer	M6	4
82	HBS916W-82	Bushing		1
83	HBS916W-83	Washer		1
84	MBS1014W-84	Driver Wheel		1
85		Blade (local purchase)		1
86	HBS916W-86	Hose		1
87	TS-1533031	Pan Head Screw	M5x10	2
88	HBS916W-88	Filter Screen		1
89	TS-1492031	Hex Cap Bolt	M12x35	5
89-1	TS-1551081	Lock Washer	M12	4
90	HBS916W-90	Lock Knob		4
92	HBS1018W-92	Blade Wheel Box -right		1
93	HBS1018W-93	Connector		1
94	HBS1018W-94	Gear Box Assembly		1
95	HBS916W-95	Key	7mm	2
96	HBS1018W-96	Pulley Cover		1
96-1	HBS916W-96-1	Lock Knob		1
97	HBS1018W-97	Gear Box Pulley		1
98	VB-A37	V-Belt		1
99	HBS1018W-99	Motor Pulley		1
100	TS-1482031	Hex Cap Bolt	M8x16	4
100-1	TS-1550061	Washer	M8	2
100-2	TS-1551061	Lock Washer	M8	2
101	HBS916W-101	Hose		1
101-1	HBS916W-101-1	Hose		1
102	HBS916W-102	Support Shaft		1
102-1	TS-1550081	Washer	M12	1
102-2	TS-1540081	Hex Nut	M12	1

Index No.	Part No.	Description	Size	Qty.
103	TS-1492021	Hex Cap Bolt (S/N:0202755 and lower)	M12x20	5
	TS-1492021	Hex Cap Bolt (S/N:0202756 and higher)	M12x20	1
104	HBS916W-104	Motor Mount Bracket		1
105	HBS1018W-105A	Column		1
106	TS-1506011	Hex Socket Cap Screw	M12x20	6
107	HBS916W-107	Locking Hand		1
108	TS-1550061	Washer	8mm	1
109	TS-1490081	Hex Cap Bolt	M8x45	4
109-1	TS-1550061	Washer	M8	4
110	HBS916W-110	Motor Mount Plate		1
111	HBS1018W-111	Motor (2HP, 1Ph, 230V only)		1
	MBS1014W-111	Motor (3HP, 3Ph, 230/460V)		1
	HBS1018W-111A	Capacitor (400 MFD, 125 VAC, not shown)		1
	HBS1018W-111B	Capacitor Cover (not shown)		1
112	TS-1550061	Washer	M8	4
112-1	TS-1551061	Lock Washer	M8	4
113	TS-1540061	Hex Nut	M8	4
114	HBS916W-114	Key	7mm	1
115	TS-1550081	Washer	M12	1
116	TS-1504041	Hex Socket Cap Screw	M8x20	1
117	HBS1018W-117A	Blade Wheel cover-left		1
118	BB-608VV	Ball Bearing		2
119	TS-1492011	Hex Cap Bolt	M12x25	2
120	TS-1550081	Washer	M12	1
121	BB-6205Z	Ball Bearing		3
122	MBS1014W-122	Idler Wheel		1
123	HBS1018W-123A	Blade Guard		1
123-1	TS-1550061	Washer	M8	1
123-2	TS-1551061	Lock Washer	M8	1
123-3	TS-1490021	Hex Cap Bolt	M8x16	1
124	HBS916W-124	Guide Bracket-left		1
	HBS916W-124A	Guide Bracket Assembly-left		1
124-1	TS-1504031	Hex Socket Cap Screw	M8x16	6
125	TS-1540061	Washer	M8	4
126	BB-6201VV	Ball Bearing		8
127	HBS916W-127	Eccentric Sleeve		2
127-1	HBS1018W-127-1	Sleeve (not shown)		2
128	TS-1551061	Lock Washer	M8	4
129	TS-1504091	Hex Socket Cap Screw	M8x45	4
130	TS-1503071	Hex Socket Cap Screw	M6x30	4
130-1	TS-1550041	Washer	M6	8
131	HBS916W-131	Blade Guide		4
132	TS-1504081	Hex Socket Cap Screw	M8x40	4
133	TS-1551081	Lock Washer	M8	4
133-1	TS-1550081	Washer	M8	4
134	HBS1018W-134A	Adjustable Bracket		1
135	HBS1018W-135	Scale		1
136	TS-1505031	Hex Socket Cap Screw	M10x25	2
137	HBS1018W-137	Slide		1
138	HBS1018W-138	Blade Bracket-left		1
139	TS-1492021	Hex Cap Bolt	M12x30	4
139-1	TS-1551081	Lock Washer	M12	4
141	MBS1014W-141	Knob		2
143	TS-1524021	Set Screw	M8x10	4
144	HBS1018W-144	Blade Bracket-right		1
145	TS-1482011	Hex Cap Bolt	M6x10	1
146	TS-1550041	Washer	M6	1
147	HBS916W-147	Wire Brush		1

Index No.	Part No.	Description	Size	Qty.
148	HBS916W-148	Wire Brush Rod		1
149	HBS1018W-149	Guide Bracket-right		1
	HBS1018W-149A	Guide Bracket Assembly-right		1
150	HBS916W-150	Spring		1
152	TS-1540071	Hex Nut	M10	2
154	HBS1018W-154A	Adjustable Bracket-right		1
155	TS-1540081	Hex Nut	M12	1
156	TS-1492061	Hex Cap Bolt	M12x60	1
157	HBS1018W-157A	Blade Guard		1
157-1	HBS1018W-157-1	Blade Guard-down		1
158	HBS916W-158	Lock Knob		2
159	TS-1523021	Set Screw	M6x8	1
160	HBS916W-160	Adjustable Valve		2
160-1	HBS916W-160-1	Clamp		2
160-2	TS-1551041	Lock Washer	M6	4
160-3	TS-1482021	Hex Cap bolt	M6x12	4
161	HBS916W-161	Power Indicator Light		1
162	HBS916W-162	Start Switch		1
163	HBS916W-163	Stop Switch		1
164	HBS916W-164	Pump Switch		1
165	HBS916W-165S	Feed Control-On/off Valve (S/N: 912484& lower 1014W)		1
	HBS916W-165S-1	Speed Control-On/off Valve (S/N: 912484& lower 1014W)		1
	HBS916W-165SP	Plate (not shown) (S/N: 912484& lower 1014W)		1
165N	HBS916W-165N	Feed Control-On/off Valve (S/N: 912485& higher 1014W)		1
	HBS916W-165N-1	Plate (not shown) (S/N: 91248& higher 1014W)		1
166	HBS916W-166	Connecting Tube		1
166-1	HBS916W-166-1	Hose Clamp		3
168	HBS916W-168	Control Box		1
169	HBS916W-169	Control Panel		1
170	TS-1533031	Pan Head Screw	M5x10	6
171	HBS1018W-171	Wheel Box-left		1
172	HBS916W-172	Handle		1
173	TS-1540081	Hex Nut	M12	2
175	TS-1533031	Pan Head Screw	M5x10	2
176	HBS916W-176	Indicator Scale		1
177	HBS916W-177	Slide Bracket		1
178	HBS916W-178	Tension Shaft		1
179	HBS916W-179	Key	5mm	1
180	HBS916W-180	Handwheel		1
181	HBS916W-181	Lock Washer	M22	13
182	HBS916W-182	Flat Steel Washer		1
183	HBS916W-183	Tension Indicator		1
184	BB-51104	Thrust Bearing		1
187	HBS916W-187	Slide		1
188	TS-1524021	Set Screw	M8x10	2
189	HBS916W-189	Extension Bar		1
190	HBS916W-190	Wheel Shaft		1
191	TS-1540081	Hex Nut	M12	1
191-1	TS-1523021	Set Screw	M6x8	3
192	TS-1504051	Hex Socket Cap Screw	M8x25	4
192N	TS-1503021	Hex Socket Cap Screw	M6x12	2
193	TS-1492011	Hex Socket Cap Screw	M12x25	1
194	HBS916W-194	Gib		2
195	HBS916W-195	Hex Cap Screw (re: HBS916W-196)		3
196	HBS916W-196	Screw Assembly		3
196-1	HBS916W-196-1	Lock Washer (re: HBS916W-196)		3
197	HBS916W-197	Hose Fitting		1
198	HBS916W-198	Hose Clamp		1

Index No.	Part No.	Description	Size	Qty.
199	HBS916W-199	Hose Clamp		1
202	HBS916W-202	Power Cord (1Ph)		1
	MBS1014W-202	Power Cord (3Ph)		1
206	HBS916W-206	Speed Chart Label		1
207	HBS916W-207	Hose		1
208	HBS916W-208	Hose		1
213	TS-1550071	Washer	M10	5
214	HBS1018W-214	Clamp		2
215	HBS1018W-215	Connector		2
216	MBS1014W-216	Fixed Vise Jaw		1
217	MBS1014W-217	Cotter Pin		1
218	MBS1014W-218	Spring Cover		1
219	MBS1014W-219	Adjustable Handle		1
220	MBS1014W-220	Support (S/N:0202755 and lower)		1
220A	MBS1014W-220A	Support (S/N:0202756 and higher)		1
221	MBS1014W-221	Adjustable Handle		1
222	MBS1014W-222	Bracket		1
223	MBS1014W-223	Bracket		1
224	MBS1014W-224	Slide		1
225	MBS1014W-225	Guide Plate		1
226	MBS1014W-226	Turning Slide		1
226A	MBS1014W-226A	Scale		1
227	MBS1014W-227	Bracket		1
228	BB-51106	Thrust Bearing (S/N:0202755 and lower)		1
229	MBS1014W-229	Center Fixed Bracket (S/N:0202755 and lower)		1
230	MBS1014W-230	Turning Slide Bracket (S/N:0202755 and lower)		1
231	MBS1014W-231	Turning Slide (S/N:0202755 and lower)		1
231A	MBS1014W-231A	Turning Slide (S/N:0202756 and higher)		1
232	MBS1014W-232	Turn Plate		1
233	MBS1014W-233	Coolant Pump Bracket		1
234	TS-1491061	Hex Cap Bolt	M10x40	3
235	TS-1482041	Hex Socket Cap Screw	M6x20	6
236	MBS1014W-236	Washer		1
237	MBS1014W-237	Lock Knob		1
238	MBS1014W-238	Brass Fitting		2
239	TS-1524041	Set Screw	M8x16	1
240	TS-1550101	Washer	M16	2
241	MBS1014W-241	Stop Rod		1
242	MBS1014W-242	Panel Cover		1
243	TS-1491031	Hex Cap Bolt		2
244	MBS1014W-244	ID Label, Warning Label (not shown)		1
245	MBS1014W-245	Slide Bracket (S/N:01021646 and lower)		1
245N	MBS1014W-245N	Slide Bracket (S/N:01021647 and higher)		1
246	MBS1014W-246	Lead Screw Bracket (S/N:01021646 and lower)		1
246N	MBS1014W-246N	Lead Screw Bracket (S/N:01021647 and higher)		1
247	MBS1014W-247	Rack Block (S/N:01021646 and lower)		1
247N	MBS1014W-247N	Rack Block (S/N:01021647 and higher)		1
248	MBS1014W-248	Rack (S/N:01021646 and lower)		1
248N	MBS1014W-248N	Rack (S/N:01021647 and higher)		1
248N-1	MBS1014W-248N-1	Bushing		1
248N-2	TS-1503041	Hex Socket Cap Screw	M6x25	1
248N-3	TS-1551041	Lock Washer	M6	1
249	MBS1014W-249	Pin		1
250	MBS1014W-250	Pin	4x16	1

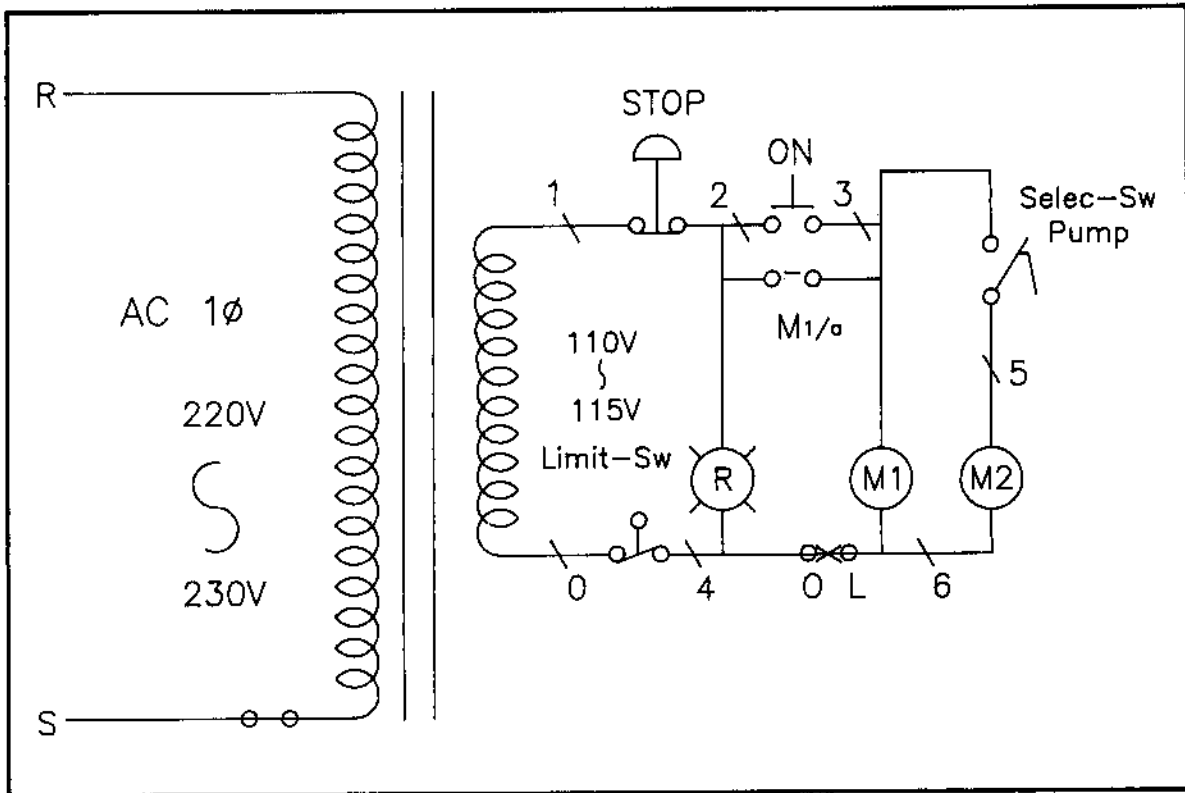


Gear Speed Reducing Box Assembly

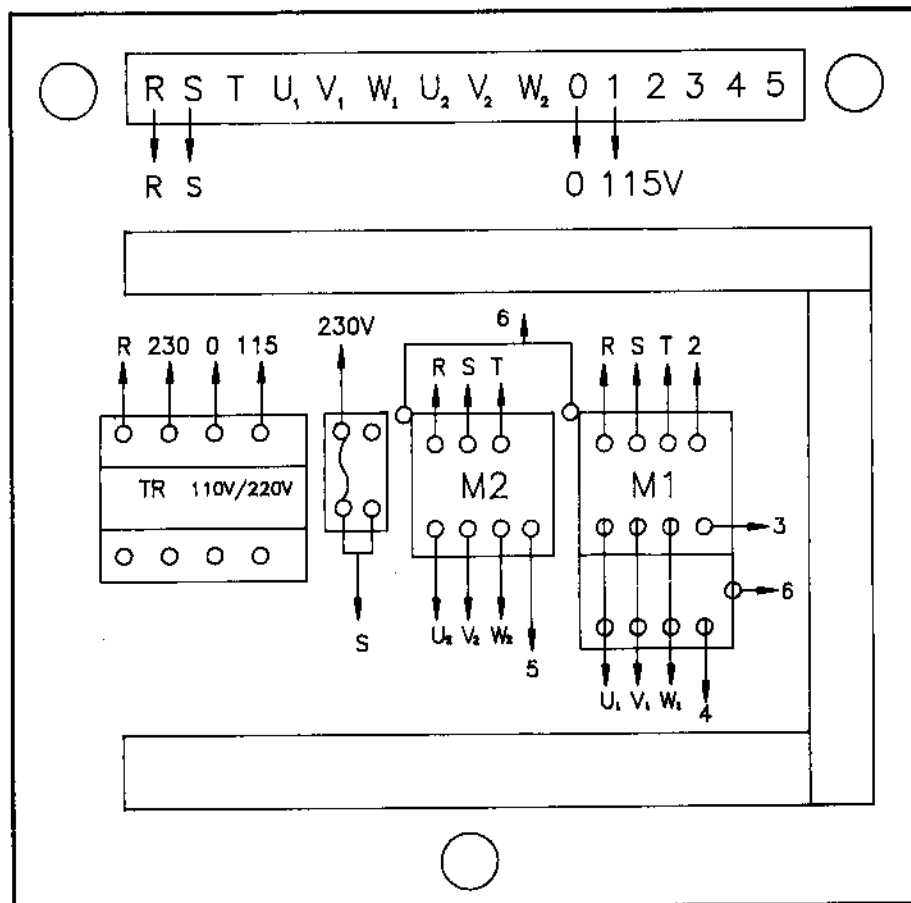
Parts List For The Gear Speed Reducing Box Assembly

Index No.	Part No.	Description	Size	Qty.
1	HBS916W-94-01	OIL SEAL	35x55X8	1
2	HBS916W-94-02	BEARING	30207	1
3	HBS916W-94-03	BEARING	6207	1
4	HBS916W-94-04	SHAFT		1
5	HBS916W-94-05	KEY	8x7x30	1
6	HBS916W-94-06	GEAR WHEEL		1
7	HBS916W-94-07	BEARING	6206	1
8	HBS916W-94-08	OUTPUT SHAFT COVER		1
9	HBS916W-94-09	OUTPUT HEX CAP SCREW	M10x20	4
10	HBS916W-94-10	INPUT HEX CAP SCREW	M8x20	4
11	HBS916W-94-11	INPUT SHAFT COVER		1
12	HBS916W-94-12	WASHER		1
13	HBS916W-94-13	BEARING	6025	1
14	HBS916W-94-14	INPUT SHAFT		1
15	HBS916W-94-15	KEY	7x7x60	1
16	HBS916W-94-16	BEARING	6205	1
17	HBS916W-94-17	C-RING	R52	1
18	HBS916W-94-18	OIL SEAL	25x52x8	1
19	HBS916W-94-19	VENT BOLT		1
20	HBS916W-94-20	GEAR BOX		1
21	HBS916W-94-21	OIL LENS		1
22	HBS916W-94-22	DRAW PLUG		1
23	HBS916W-94-23	KEY	7X7X45	4

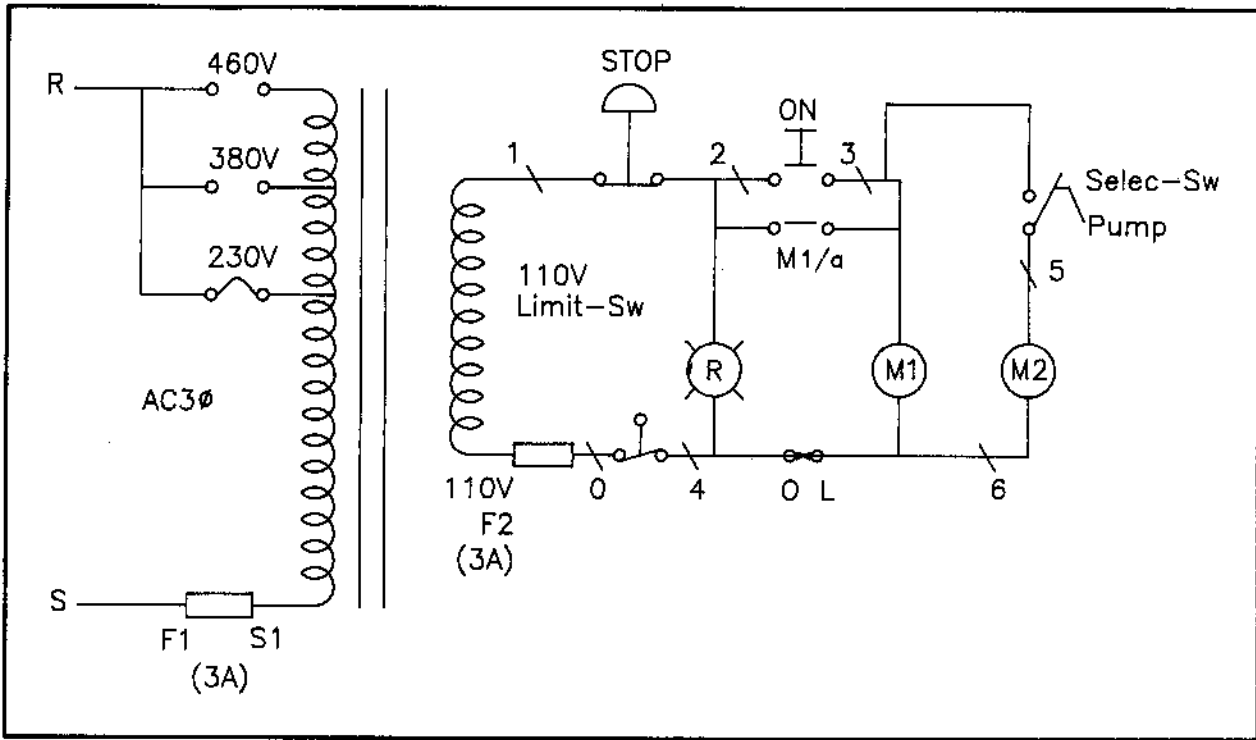
Electrical Schematic - Single Phase



Electrical Panel Layout



Electrical Schematic - Three Phase



Electrical Panel Layout

230V

460V

