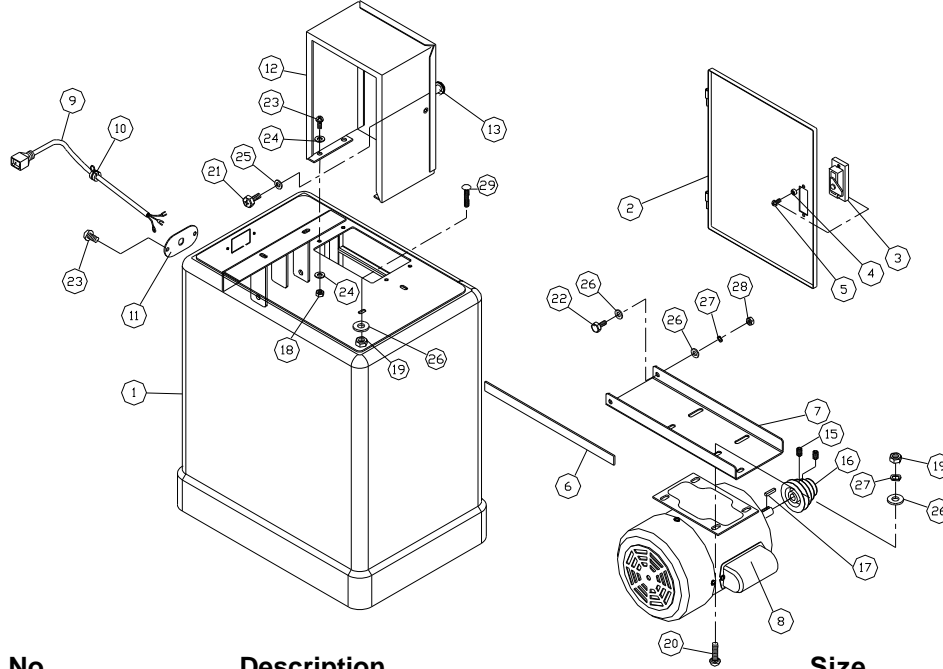
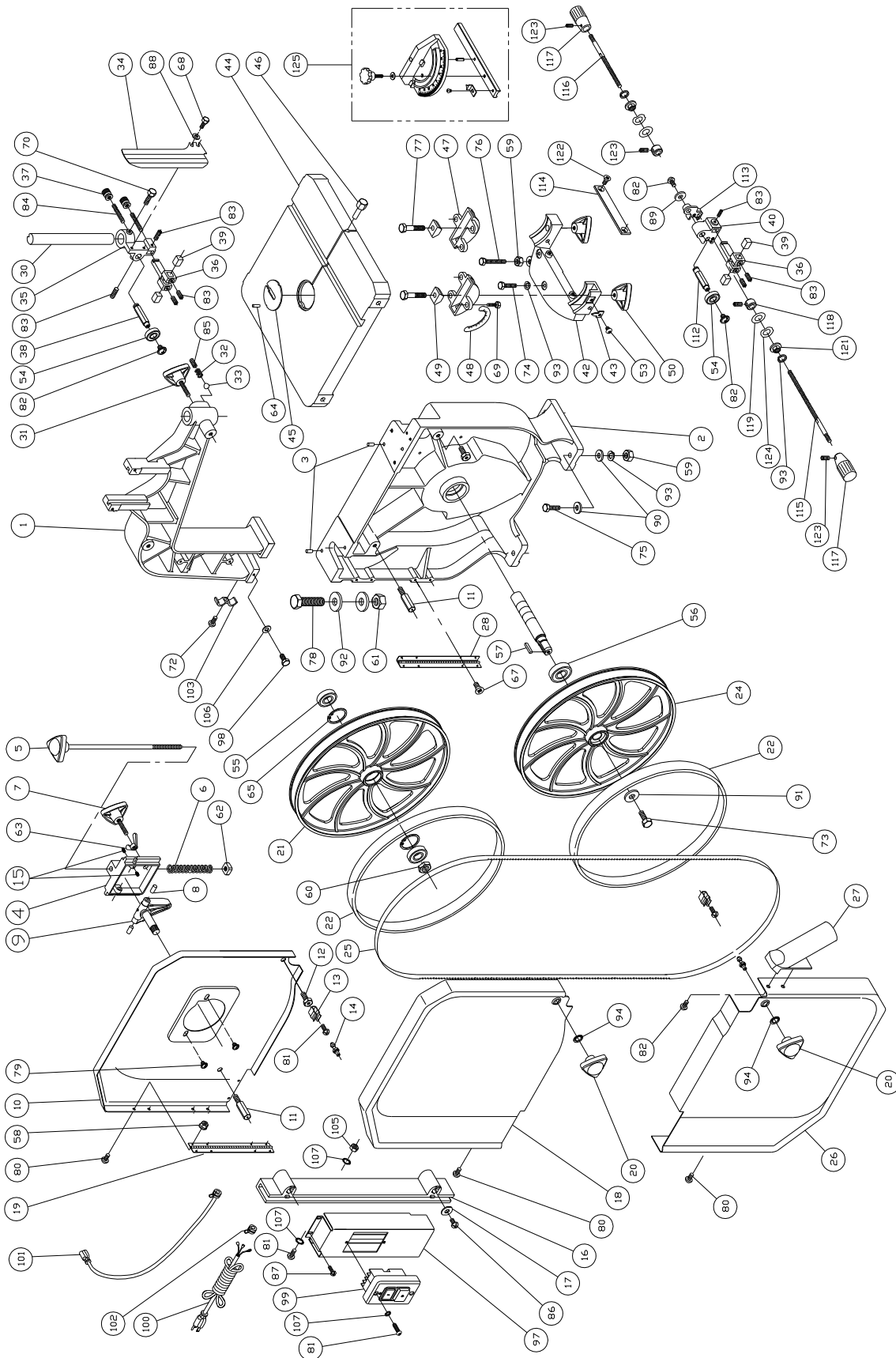


Exploded View and Parts Listing– Base– Models J-8201 and J-8203



In No.	Part No.	Description	Size	Qty.
1	J-5513834	Closed Stand		1
	J-5507565	Closed Stand Assembly w/o Motor		1
2	J-5513835	Door		1
3	5513836	Lock		1
4	5513837	Washer		1
5	5513838	Pan Head Bolt	M4x5	2
	5513858	Lock Assembly (included #3, 4 and 5)		1
6	5513839	Pad		2
7	J-5513861	Motor Bracket		1
8	J-5784391	Motor	115/230V, 1Ph	1
	J-5784411	Motor	230/460V, 3Ph	1
9	5784421	Motor Cord	1Ph	1
	5784431	Motor Cord	3Ph	1
10	5513842	Strain Relief		2
11	5784281	Strain Relief Plate		1
12	J-5513845	Pulley Cover		1
13	5513846	Knob		1
15	TS-1523011	Set Screw	M6x6	2
16	5784682	Pulley		1
17	5513859	Key	5x5x40	1
18	TS-1540031	Hex Nut	M5	4
19	TS-2311081	Hex Nut	M8	5
20	5513849	Carriage Bolt	M8x16	4
21	5784331	Hex Head Bolt	M6x12	1
22	TS-1490041	Hex Head Bolt	M8x25	2
23	5782761	Pan Head Bolt	M5x12	6
24	TS-1550031	Flat Washer	M5	8
25	5511747	Flat Washer	M6	1
26	TS-1550061	Flat Washer	M8	9
27	5511752	Lock Washer	M8	6
28	TS-1541031	Nylon Nut	M8	2
29	5784683	Carriage Bolt	M8x50	1

Exploded View – Saw Head – Models J-8201K, J-8203K, J-8201VS, and J-8203VS



Parts List – Saw Head – Models J-8201K, J-8203K, J-8201VS, and J-8203VS

In No.	Part No.	Description	Size	Qty.
1	J-5782511	Upper Arm, Frame		1
2	J-5783041	Base		1
3	5783241	Dowel Pin		4
4	5782521	Upper Wheel Sliding Bracket		1
5	5782591	Blade Tension Adjustment Knob		1
6	5782611	Tension Spring		1
7	5782571	Blade Track Adjustment Knob	M8x55	1
8	5782541	Pivot Pin		2
9	5782531	Upper Wheel Hinge w/ Shaft		1
10	J-5782631	Inner Upper Wheel Guard		1
11	5782821	Stud		2
12	5782741	Fixed Bolt		2
13	5782751	Catch		2
14	170080	Stud Latch		2
15	TS-1522021	Set Screw	M5x8	2
16	5782831	Blade Guard		1
17	5782841	Retainer		2
18	J-5782891	Outer Upper Wheel Guard		1
19	5782861	Hinge (Upper)		1
20	5782921	Knob	M8	2
21	5782661	Upper Wheel		1
22	5782691	Wheel Protector		2
24	5783161	Lower Wheel		1
25	5782722	Saw Blade for Metal Cutting	92-1/2 x 14T/in	1
	5782732	Saw Blade for Wood Cutting	92-1/2 x 6T/in	1
26	J-5783111	Lower Wheel Guard		1
27	5783121	Dust Chute		1
28	5783081	Hinge (Lower)		1
30	5783351	Guide Post		1
31	5783281	Knob	M10x30	1
32	5783261	Spring		1
33	SB-8MM	Steel Ball	8mm	1
34	5783421	Upper Wheel Blade Guard		1
35	5783341	Upper Support Bracket Post		1
36	5783411	Support Bracket		2
37	5783371	Micro Adjustment Nut		2
38	5783321	Upper Spacing Sleeve		2
39	5783391	Carbide Blade Guide		4
40	5783631	Lower Support Bracket Post		1
42	5783591	Bracket Trunnion Support		1
43	5783611	Point		1
44	J-5783451	Table		1
45	5783471	Table Insert		1
46	5783481	Table Pin		1
47	5783521	Trunnion		2
48	5783531	Scale		1
49	5783491	Trunnion Clamp Shoe		2
50	5783621	Knob	M10	2
53	5782641	Pan Head Screw	M5x6	1
54	5783311	Bearing	6200ZZ	2
55	BB-6202ZZ	Bearing	6202Z	2
56	5783171	Bearing	6204LLU	1
57	5783211	Key	5x5x20	2

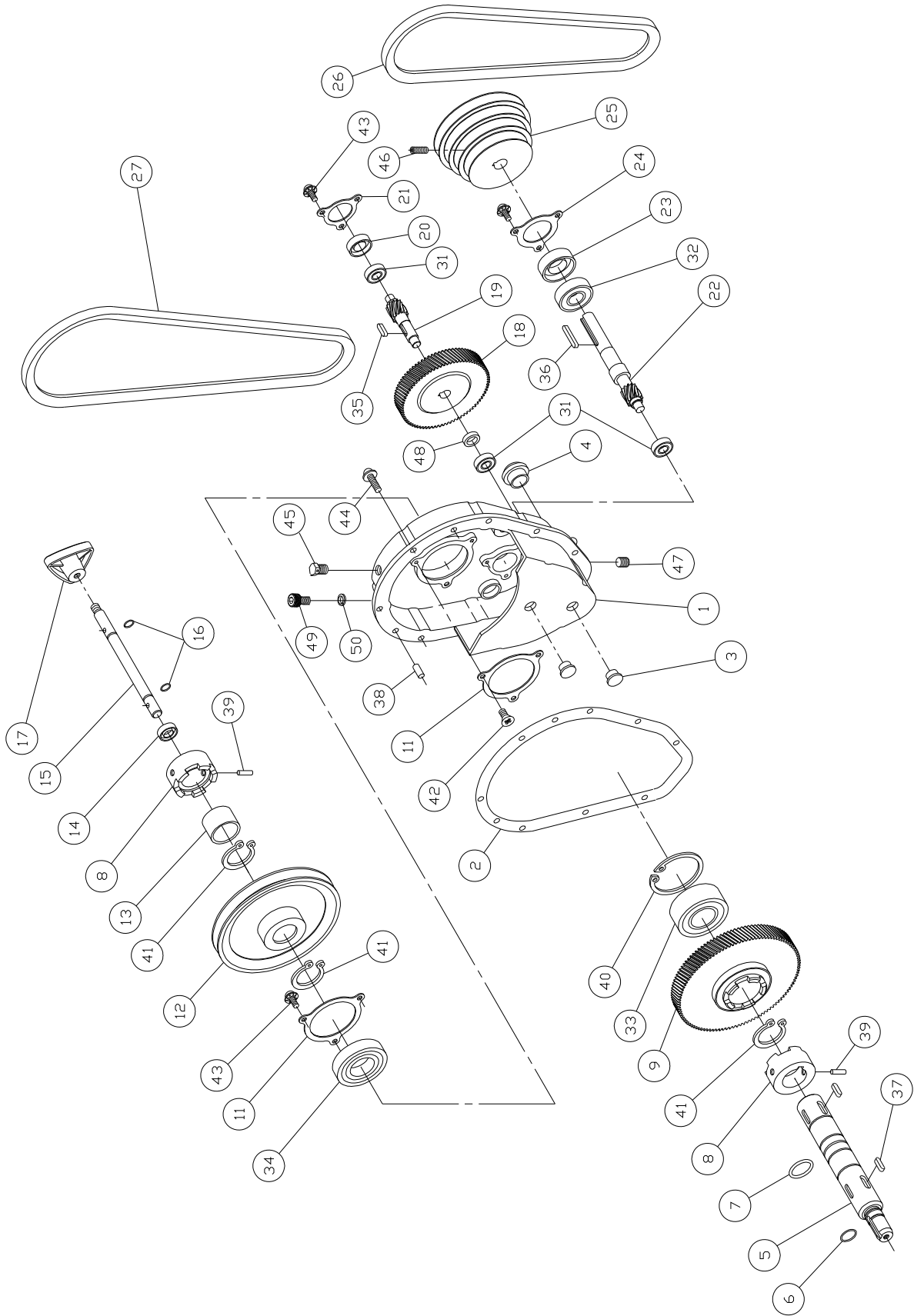
Parts List – Saw Head – Models J-8201K, J-8203K, J-8201VS, and J-8203VS

In No.	Part No.	Description	Size	Qty.
58	5782881	Flange Nut	M5	12
59	5783581	Hex Nut	M8	5
60	5625361	Hex Nut	M12	1
61	5783071	Hex Nut	M16	1
62	5782621	Square Nut		1
63	5782581	Wing Nut	M8	1
64	5783461	Roll Pin	3x8	1
65	5782681	Retaining Ring	R35	2
67	5783091	Flat Head Screw	M5x10	4
68	5625121	Hex Cap Screw	M6x10	2
69	TS-1482021	Hex Cap Screw	M6x12	6
70	TS-1490071	Hex Cap Screw	M6x16	1
72	5782761	Pan Head Screw	M5x8	1
73	5783141	Hex Cap Bolt (Left Hand)	M8x20	1
74	TS-1482061	Hex Cap Screw	M6x30	2
75	TS-1490071	Hex Cap Bolt	M8x40	4
76	5783551	Hex Cap Screw	M8x80	1
77	TS-1491081	Hex Cap Bolt	M10x50	2
78	5783051	Hex Cap Bolt	M16x55	1
79	5782641	Pan Head Screw	M5x6	2
80	5782871	Pan Head Screw	M5x8	12
81	5782961	Pan Head Screw	M5x25	5
82	5783131	Pan Head Screw	M6x8	4
83	5783331	Set Screw	M6x10	7
84	5783361	Micro Adjustment Screw	M8x40	2
85	5783271	Set Screw	M10x10	1
86	5782851	Self Tapping Screw	M3.5x12	2
87	5782941	Self Tapping Screw	M4x8	2
88	TS-1550041	Flat Washer	M6	2
89	TS-1550041	Flat Washer	M6	1
90	5783231	Flat Washer	M8	8
91	5783151	Flat Washer		1
92	5783061	Flat Washer	M16	2
93	5511752	Lock Washer	M8	8
94	5511752	Lock Washer	M8	2
97	J-5782931	Switch Bracket		1
98	TS-1482021	Hex Cap Screw	M6x12	1
99	5782951	Switch	1Ph	1
	5784694	Switch	3 Ph	1
100	5782981	Power Cord	115/230V, 1Ph	1
	5513899	Power Cord	230/460V, 3Ph	1
100	5782991	Power Cord (switch to motor)	115/230V, 1Ph	1
	5513900	Power Cord (switch to motor)	230/460V, 3Ph	1
102	5782971	Strain Relief	6W3-4R	2
103	5783021	Wire Clip		1
105	5782881	Flange Nut	M5	4
106	5783431	Flat Washer	M6x13x1	1
107	TS-0720051	Lock Washer, External Tooth	#10	4
112	5783671	Spacing Sleeve		1
113	5783641	Adjusting Block		1
114	5783651	Guide Plate		1
115	5783731	Adjusting Bar		1
116	5783711	Adjusting Bar		1

Parts List – Saw Head – Models J-8201K, J-8203K, J-8201VS, and J-8203VS

In No.	Part No.	Description	Size	Qty.
117	5783721	Handle		2
118	5783681	Setting Bushing		2
119	5783771	Spacer		2
121	5783751	Flange Nut	M8	2
122	TS-1514021	Flat Head Socket Screw	M6x15	2
123	5640181	Set Screw	M5x5	4
124	5783761	Wave Washer	8x13	2
125	5784695	Miter Gauge Assembly		1

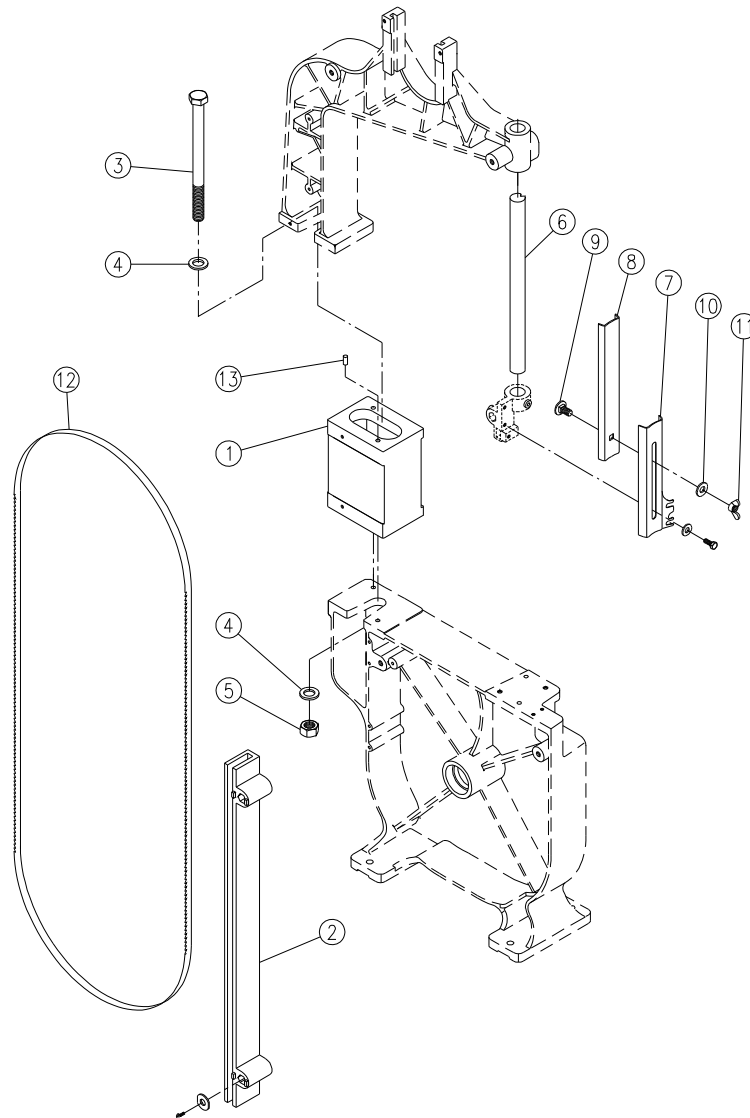
Exploded View – Gearbox – Models J-8201 and J-8203



Parts List – Gearbox – Models J-8201 and J-8203

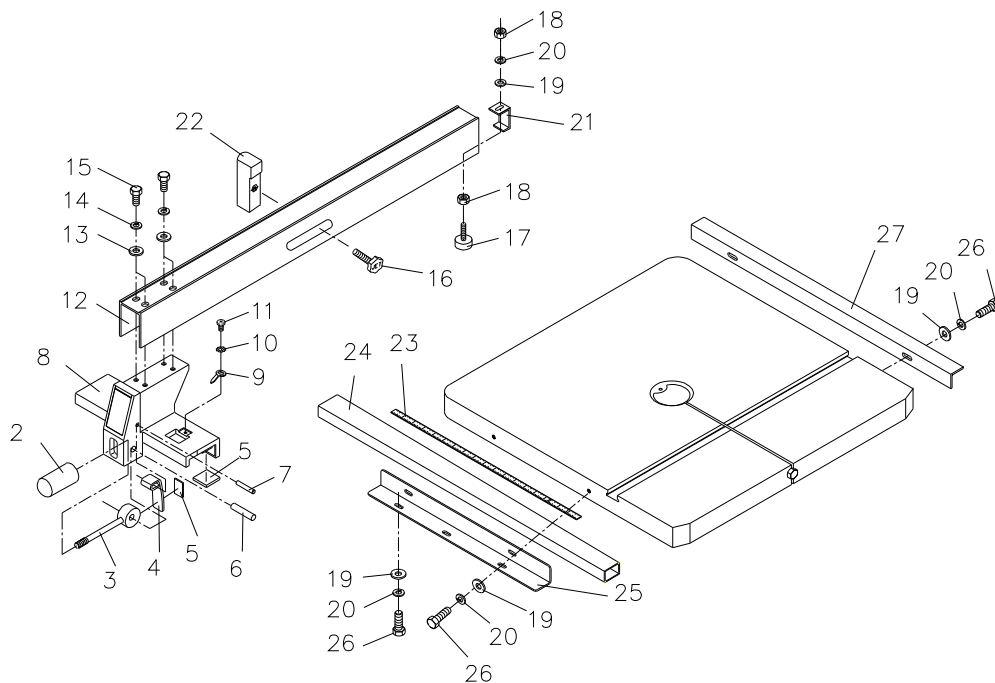
In No.	Part No.	Description	Size	Qty.
	J-8201K	Gearbox Complete (includes all items below, <i>except</i> #26 and 27)		
1	J-5783831	Housing Gearbox		1
2	5513791	Packing		1
3	5783861	Plug		2
4	5783911	Oil Level Glass		1
5	5783181	Shaft		1
6	5784696	O-Ring	P15	1
7	5784697	O-Ring	P24	1
8	5784061	Clutch Dog		2
9	5783921	Gear		1
11	5513800	Bearing Cover		2
12	5784111	Pulley		1
13	5784121	Bushing		1
14	5784051	Oil Seal		1
15	5784081	Clutch Shaft		1
16	5513805	O-Ring,	P9	2
17	5784091	Knob		1
18	5783981	Gear		1
19	5783951	Shaft (with gear)		1
20	5783871	Oil Seal	30x7	1
21	5784141	Bearing Cover		1
22	5783991	Shaft (with gear)		1
23	5783881	Oil Seal	17x40x7	1
24	5784151	Bearing Cover		1
25	5784181	Gear Box Pulley		1
26	5784221	V-Belt	A34	1
27	5784211	V-Belt	A51	1
31	9100441	Ball Bearing	6200LLU	3
32	5783851	Ball Bearing	6203LLU	1
33	5783931	Ball Bearing	3206ZZ	1
34	5629151	Ball Bearing	6206LLU	1
35	5783961	Key	5x5x18	1
36	5784011	Key	5x5x40	1
37	5784031	Key	7x7x20	2
38	5513824	Parallel Pin	5x20	2
39	5784071	Roll Pin	5x30	2
40	5783941	Internal Snap Pin	R62	1
41	5784041	Retaining Ring	S30	3
42	5513828	Countersunk Head Bolt	M5x10	3
43	5511817	Pan Head Screw	M5x8	9
44	5784171	Pan Head Screw	M6x16	8
45	5784698	Hex Cap Screw w/ Air Drain	M8x12	1
46	5783331	Set Screw	M6x10	2
47	5783891	Drain Plug	1/8x28PT	1
48	5784699	Bushing		1
49	5513831	Socket Head Cap Screw	M10x8	1
50	5513805	O-Ring	P9	1

Parts Listing– Optional Riser Block– All Models



In No.	Part No.	Description	Size	Qty.
1	J-5784511	Riser Block		1
2	5784521	Blade Guard		1
3	5784551	Hex Head Screw	5/8x8-1/2	1
4	5784561	Flat Washer	5/16	1
5	5784571	Hex Nut	5/8	1
6	5784581	Guide Post		1
7	5784591	Upper Wheel Blade Guard		1
8	5784611	Extender Blade Guard		1
9	5784621	Carriage Bolt	M8x16l	1
10	5511747	Flat Washer	M8	1
11	5782581	Wing Nut	M8	1
12	5784641	Saw Blade (Metal Cutting)	105"x3/8"x14T/in	1
	5784681	Saw Blade (Wood Cutting)	105"x3/8"x6T/in	1
13	5784651	Pin		2

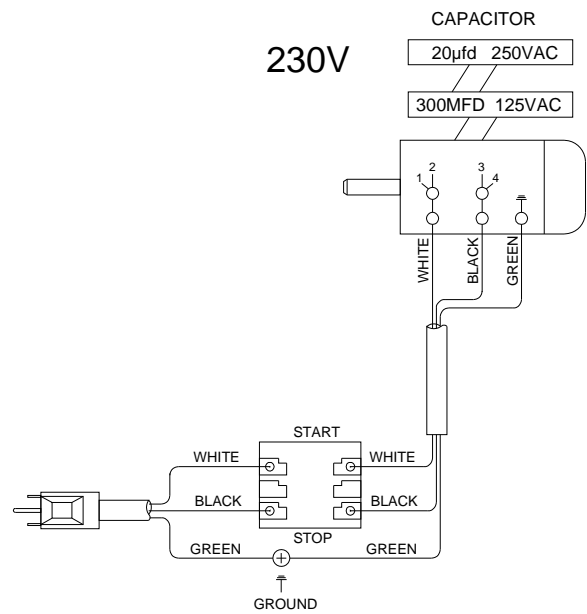
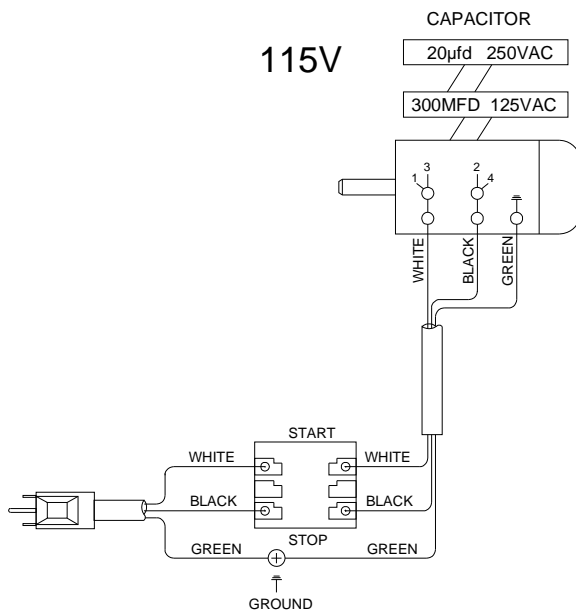
5782171 Rip Fence Assembly (Optional Equipment)



In No.	Part No.	Description	Size	Qty.
2	JWBS18-431	Knob		1
3	JWBS18-432	Lock Handle		1
4	JWBS18-433	Lock Plate		1
5	JWBS18-434	Pad		5
6	JWBS18-435	Pin		1
7	JWBS18-436	Pin		1
8	JWBS18-430	Fence Body		1
9	JWBS18-422	Pointer		1
10	JWBS18-441	Star Washer		1
11	JWBS18-440	Screw	3/16 x 14	1
12	8201-12	Fence		1
13	JWBS18-439	Flat Washer*	5/16	4
14	TS-0720081	Lock Washer*	5/16	4
15	TS-0081031	Hex Cap Bolt*	5/16 x 3/4	4
16	JWBS14-F16	Knob*		1
17	JWBS18-444	Sliding Pad*		1
18	TS-0561011	Hex Nut*	1/4"	2
19	TS-0680021	Flat Washer*	1/4"	8
20	TS-0720071	Lock Washer*	1/4"	8
21	JWBS18-445	Rear Hook*		1
22	JWBS14-F22	Resaw Kit*		1
23	JWBS14-F23	Scale		1
24	8201-24	Guide Rail		1
25	8201-25	Front Rail		1
26	TS-1482041	Hex Cap Bolt*	M6 x 20	7
27	8201-27	Rear Rail		1
	JWBS14-HK	Hardware Kit (Includes items marked with *)		1

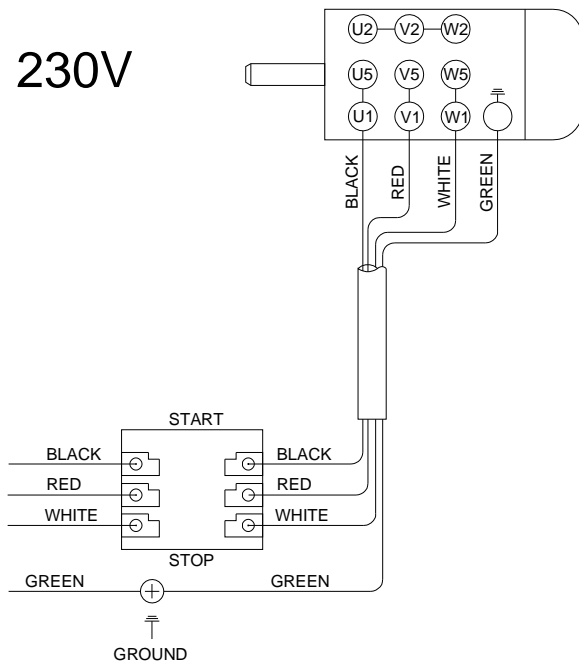
Wiring Diagram

Single Phase



Three Phase

230V



460V

