



SERVICE PARTS LIST

BUL. 54-46-1200

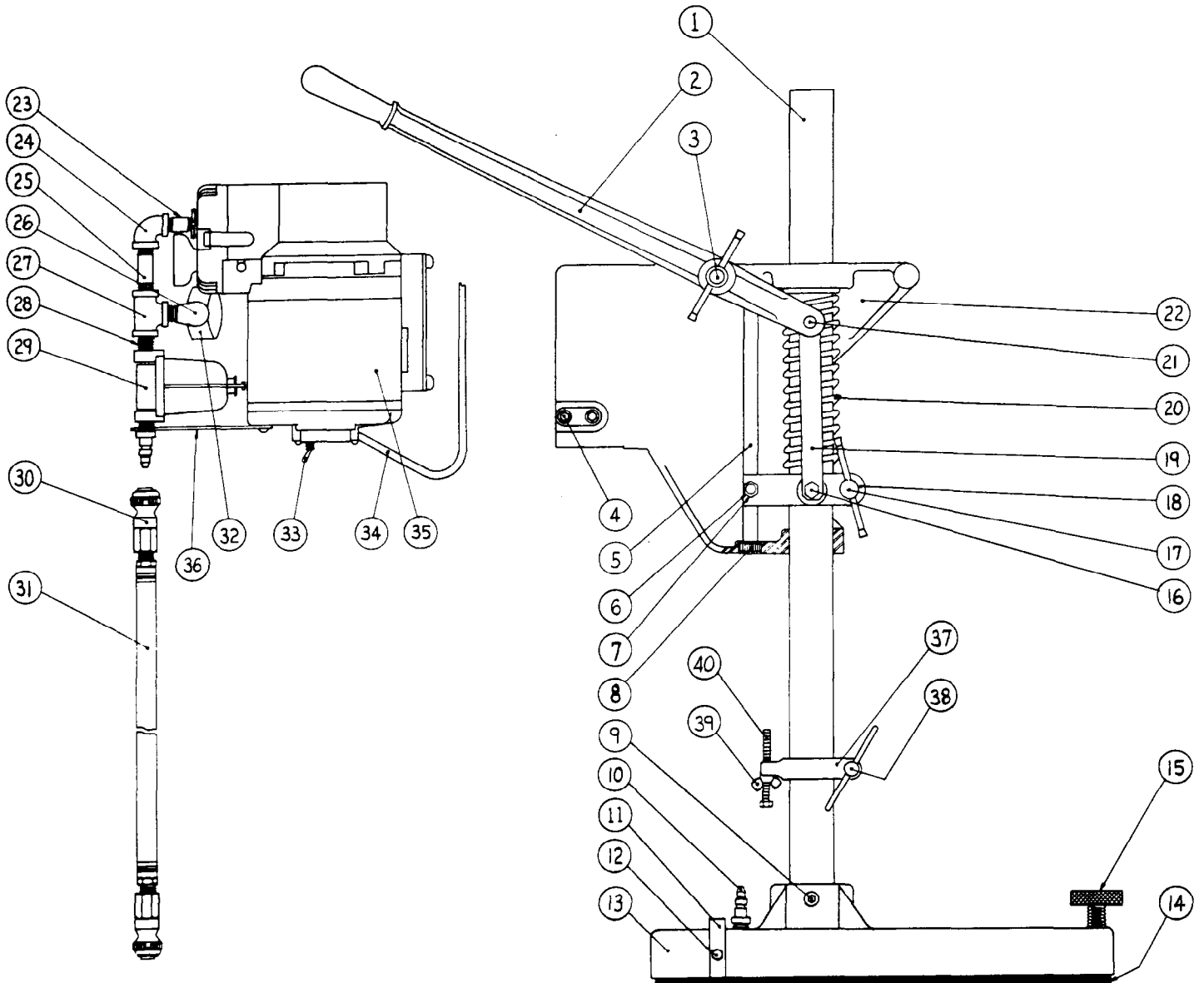
VAC-U-MITE

REVISED BUL 6289-1	DATE Feb. '68
WIRING INSTR.	

Catalog No. 4182

Starting Serial No.

Both Model and Serial No. must be furnished to obtain correct parts.



PARTS LISTS Catalog 4182 VAC-U-MITE

CORRECTS & SUPERCEDES
SERVICE BULLETIN 6289-1
DATED 6/29/61

FIG.	PART NO	DESCRIPTION OF PART			
1	44-74-0091	Post	38	45-04-0150	T-Screw Assembly
2	28-44-1081	Handle	39	06-59-1500	5/16-18 Bar Collar Stop Wing Nut
3	45-04-0240	T-Screw Assembly	40	06-83-4550	5/16-18x3 Sq. Hd. Set Screw
4	45-04-0160	Drill Clamping Screws	(2)		
5	42-18-0100	Guide Bar			
6	06-75-0150	1/4-20x1 Hex Adjusting Screw			
7	06-55-1500	1/4-20 Adj. Screw Locknut			
8	42-40-0150	Guide Bar Lock Bushing			
9	06-75-4850	3/8-16x2 1/2 Socket hd. Cap Screw			
10	42-90-0110	Male Disconnect	(2)		
11	42-28-0110	Block	(2)		
12	06-75-0150	1/4-20x1 hex hd. Cap Screw	(2)		
13	28-06-0301	Base			
14	43-44-0090	Vacuum Disc Gasket			
15	45-04-0260	Thumb Screw Assembly	(2)		
16	06-75-0500	3/8-16x1 hex hd. Cap Screw			
17	45-04-0250	T-Screw Assembly			
18	28-17-0601	Bar Clamp			
19	44-14-0050	Link			
20	40-50-4100	Coil Spring			
21	06-65-2800	7/16 x 1 1/4 Driv-Loc Pin			
22	28-23-3201	Cradle			
23	43-33-0230	1/4" Pipe nipple 1 1/2" Long			
24	43-33-0220	1/4" x 90° Det. Elbow			
25	43-33-0235	1/4" Pipe nipple 2" Long			
26	43-33-0190	1/4" Street L			
27	43-33-0200	1/4" Tee			
28	43-33-0210	1/4" Close Nipple			
29	43-31-0010	Filter			
30	42-90-0120	Female disconnect	(2)		
31	14-37-0150	8' Hose Assembly			
32	43-46-0100	Vacuum Gage			
33	23-66-0360	Switch			
34	22-64-0210	Cord Set			
35	49-50-0120	Vacuum Pump(Complete with cord & switch)			
36	45-56-0080	Pipe Strap			
37	30-86-0101	Bar Collar Stop			
MISCELLANEOUS PARTS NOT SHOWN					
49-96-0070	Allen Wrench for Drill clamping Screw				
44-66-0320	Switch plate				
45-36-0260	Spacer				
12-17-2020	Nameplate				
06-77-0400	#4 x 3/16 nameplate screws		4		
44-98-0050	Guide Bar Runner				

Numbers in brackets indicate number required.