

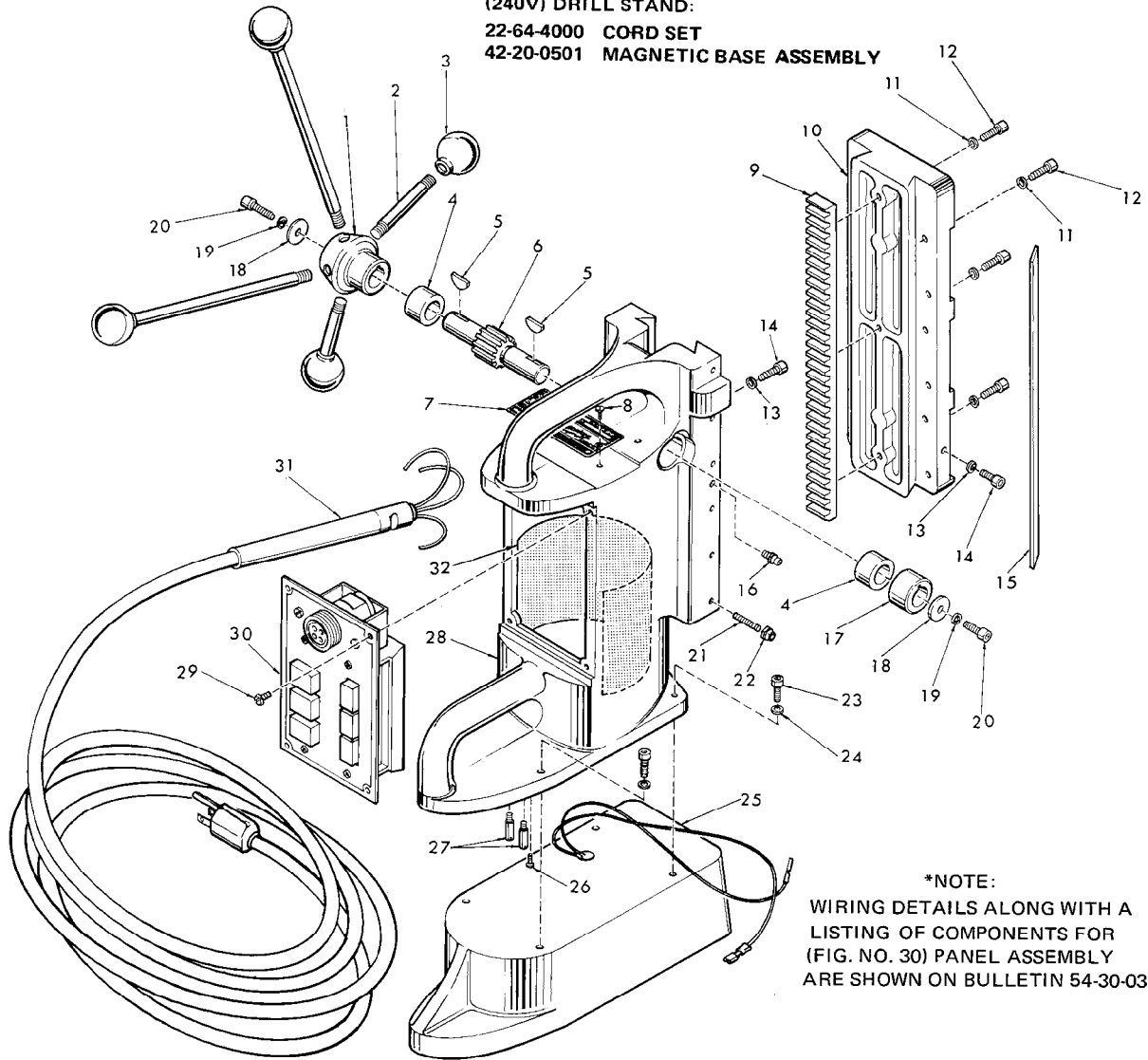


SERVICE PARTS LIST

BULLETIN NO.
54-46-2202

SPECIFY CATALOG NO. AND SERIAL NO. WHEN ORDERING PARTS		REVISED BULLETIN 54-46-2201	DATE Jan. '83
MEDIUM BASE ELECTROMAG DRILL STAND		WIRING INSTRUCTION * SEE NOTE	
CATALOG NO. 4201	STARTING SERIAL NO. 498-5500		
CAT. NO. 4201-6	START SER. NO. 498-5500	BILINGUAL LABEL-SEE NAMEPLATE	

FOR CAT. NO. 4201-2
(240V) DRILL STAND:
22-64-4000 CORD SET
42-20-0501 MAGNETIC BASE ASSEMBLY



*NOTE:
WIRING DETAILS ALONG WITH A LISTING OF COMPONENTS FOR (FIG. NO. 30) PANEL ASSEMBLY ARE SHOWN ON BULLETIN 54-30-0300.

FIG.	PART NO.	DESCRIPTION OF PART	NO. REQ.	FIG.	PART NO.	DESCRIPTION OF PART	NO. REQ.
	1	43-78-0240 Handle Hub	(1)	18	45-88-5247	Hub Washer	(2)
	2	43-62-0055 Handle	(4)	19	06-97-4050	Lock Washer	(2)
	3	43-98-0050 Plastic Knob	(4)	20	06-75-3005	1/4-20x5/8 Socket Hd. Screw	(2)
	4	42-40-0445 Bushing	(2)	21	06-83-2520	10-32x1 Hdl's. Socket Screw	(6)
	5	06-42-2300 Woodruff Key	(2)	22	06-57-4050	Lock Nut	(6)
	6	32-60-2050 Pinion Gear	(1)	23	06-75-3090	1/4-20x7/8 Socket Hd. Screw	(4)
	7	12-99-0060 Nameplate Blank	(1)	24	06-97-4050	Lock Washer	(4)
		12-99-0326 Nameplate Blank (Canada)		25	42-20-0400	Magnetic Base Assembly	(1)
	8	06-85-0200 6x1/4 Rd. Hd. Type Z Screw	(4)	26	06-81-8800	8-32x1/4 Ground Screw	(1)
★	9	44-80-0070 Rack	(1)	27	45-04-0100	Cord Retaining Screw	(2)
★	10	30-84-0190 Slide	(1)	28	28-50-7810	Support Housing	(1)
	11	06-97-4050 Lock Washer	(7)	29	06-81-5400	8-32x5/16 Binder Sems	(4)
	12	06-75-3050 1/4-20x3/4 Socket Hd. Screw	(7)	30	—	Panel Assembly (See Note)	(1)
	13	06-97-4050 Lock Washer	(2)	31	22-64-0075	Cord Set	(1)
	14	06-75-2900 1/4-20x3/8 Socket Hd. Screw	(2)	32	23-16-0760	Panel Insulator	(1)
	15	43-48-0090 Gib	(1)	▶ 33	12-98-7035	Instruction Plate (Not Shown) Located Next To Nameplate	(1)
	16	43-33-0150 Grease Fitting	(2)				
	17	43-78-0230 Hub	(1)				

▶ Omit for Canadian Tools