



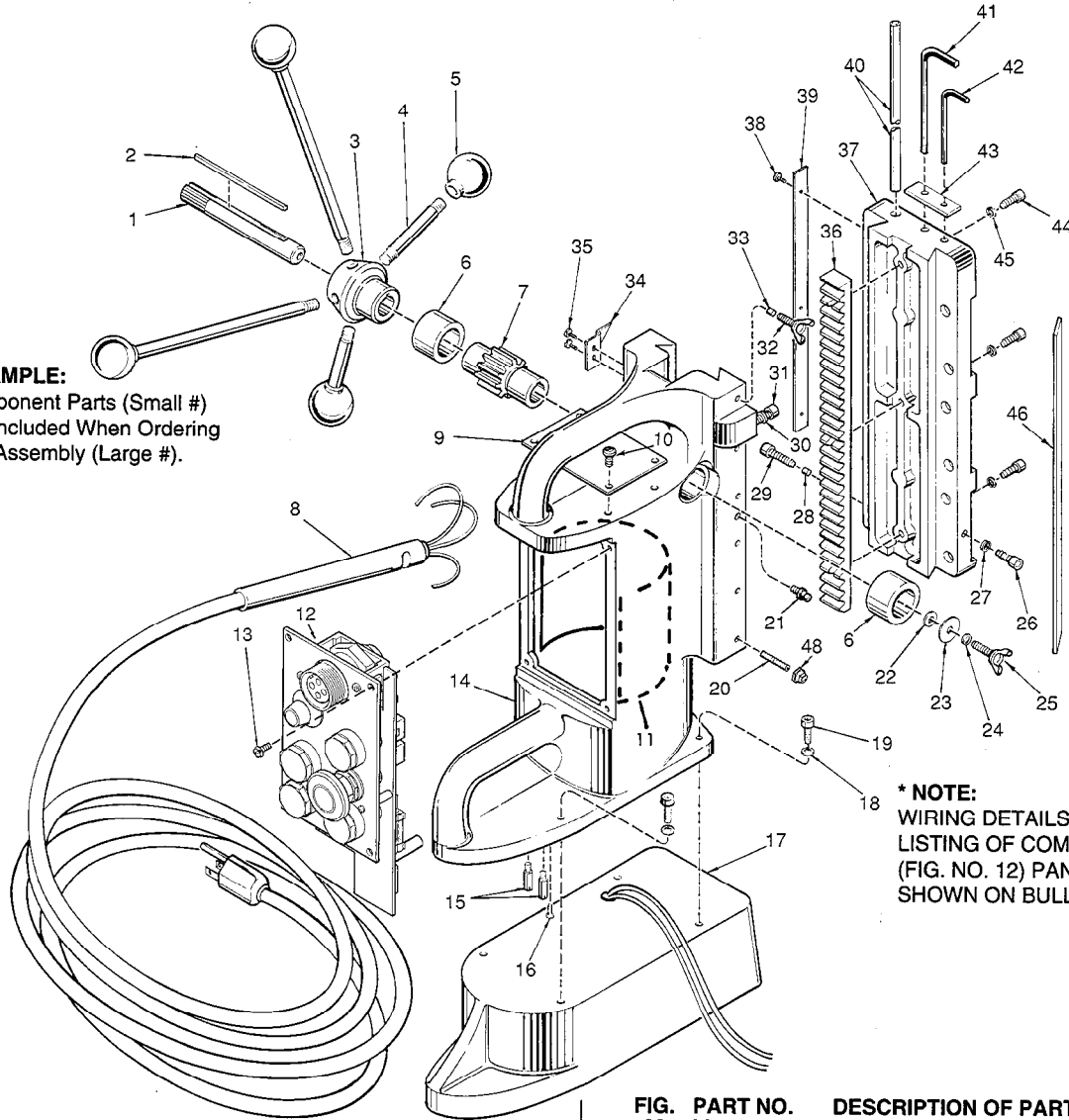
# SERVICE PARTS LIST

**BULLETIN NO.**  
54-46-2228

SPECIFY CATALOG NO. AND SERIAL NO. WHEN ORDERING PARTS		REVISED BULLETIN	DATE
<b>ELECTROMAGNETIC DRILL STAND</b>		54-46-2227	Apr. '96
CATALOG NO. <b>4202</b>	STARTING SERIAL NO. <b>598B</b>	WIRING INSTRUCTION <b>* SEE NOTE</b>	

00 0

**EXAMPLE:**  
Component Parts (Small #)  
Are Included When Ordering  
The Assembly (Large #).



**\* NOTE:**  
WIRING DETAILS ALONG WITH A  
LISTING OF COMPONENTS FOR  
(FIG. NO. 12) PANEL ASSEMBLY ARE  
SHOWN ON BULLETIN 54-30-0151

FIG.	PART NO.	DESCRIPTION OF PART	NO. REQ.
	1	45-08-0160 Shaft	(1)
	2	06-42-3750 1/8 x 3-1/2" Square Key	(1)
	3	43-78-0260 Handle Hub	(1)
	4	43-62-0055 Feed Handle	(4)
	5	43-98-0050 Plastic Knob	(4)
	6	42-40-0060 Bushing	(2)
	7	32-60-2120 Pinion Gear	(1)
	8	22-64-0076 Cord Set	(1)
	9	12-99-1295 Service Nameplate	(1)
★	10	06-95-0075 6-32 x 3/8" Truss Hd. Taptite Screw	(4)
★	11	23-16-0760 Panel Insulator	(1)
★	12	----- Panel Assembly (See Note)	(1)
★	13	06-82-7252 8-32 x 3/8" Pan Hd. Stt. Taptite T-20	(4)
	14	28-50-7815 Support Housing	(1)
	15	45-04-0100 Cord Retaining Screw	(2)
	16	06-81-8820 Ground Screw	(1)
★	17	42-20-0700 Magnetic Base Assembly	(1)
	18	06-97-4050 1/4" Split Ring Lock Washer	(4)
	19	06-75-3090 1/4-20 x 7/8" Socket Hd. Screw	(4)
	20	06-83-2520 10-32 x 1" Headless Socket Screw	(5)
	21	43-33-0150 Grease Fitting	(2)
	22	45-88-7160 Thrust Washer	(1)
	23	45-88-5247 Hub Washer	(1)
	24	06-97-4050 1/4" Split Ring Lock Washer	(1)
	25	06-88-0110 1/4-20 x 3/4" Wing Screw	(1)
	26	06-75-2900 1/4-20 x 3/8" Socket Hd. Screw	(1)
	27	06-97-4050 1/4" Split Ring Lock Washer	(1)
	28	45-30-0160 Brass Slug	(2)

FIG.	PART NO.	DESCRIPTION OF PART	NO. REQ.
	29	06-75-3090 1/4-20 x 7/8" Socket Hd. Screw	(2)
	30	06-97-4050 1/4" Split Ring Lock Washer	(1)
	31	06-75-2900 1/4-20 x 3/8" Socket Hd. Screw	(1)
	32	06-88-0110 1/4-20 x 3/4" Wing Screw	(1)
	33	45-30-0160 Brass Slug	(1)
	34	43-82-0080 Gauge Indicator	(1)
★	35	06-82-7252 8-32 x 3/8" Pan Hd. Stt. Taptite T-20	(2)
	36	44-80-0070 Rack	(1)
	37	30-84-0180 Slide	(1)
	38	06-85-0200 6 x 1/4" Rd. Hd. Type Z Screw	(3)
	39	43-46-0150 Graduated Gauge	(1)
	40	44-94-0165 Depth Gauge Rod	(1)
	41	49-96-0080 3/16" Socket Wrench	(1)
	42	49-96-0050 3/32" Socket Wrench	(1)
	43	43-94-0060 Wrench Keeper	(1)
	44	06-75-3005 1/4-20 x 5/8" Socket Hd. Screw	(3)
	45	06-97-4050 1/4" Split Ring Lock Washer	(3)
	46	43-48-0090 Gib	(1)
	48	06-57-4050 Lock Nut	(5)
		48-58-0080 6' Safety Chain (Incl. 43-74-0080)	(1)
		43-74-0080 Chain Hook	(1)
		10-98-6095 Chain Label	(1)

**FOR MOUNTING DRILL MOTOR TO STAND USE:**

06-97-4050	1/4" Split Ring Lock Washer	(4)
06-75-3050	1/4-20 x 3/4" Socket Hd. Screw	(4)

**MILWAUKEE ELECTRIC TOOL CORPORATION**  
13135 W. LISBON RD., BROOKFIELD, WI 53005