



SERVICE PARTS LIST

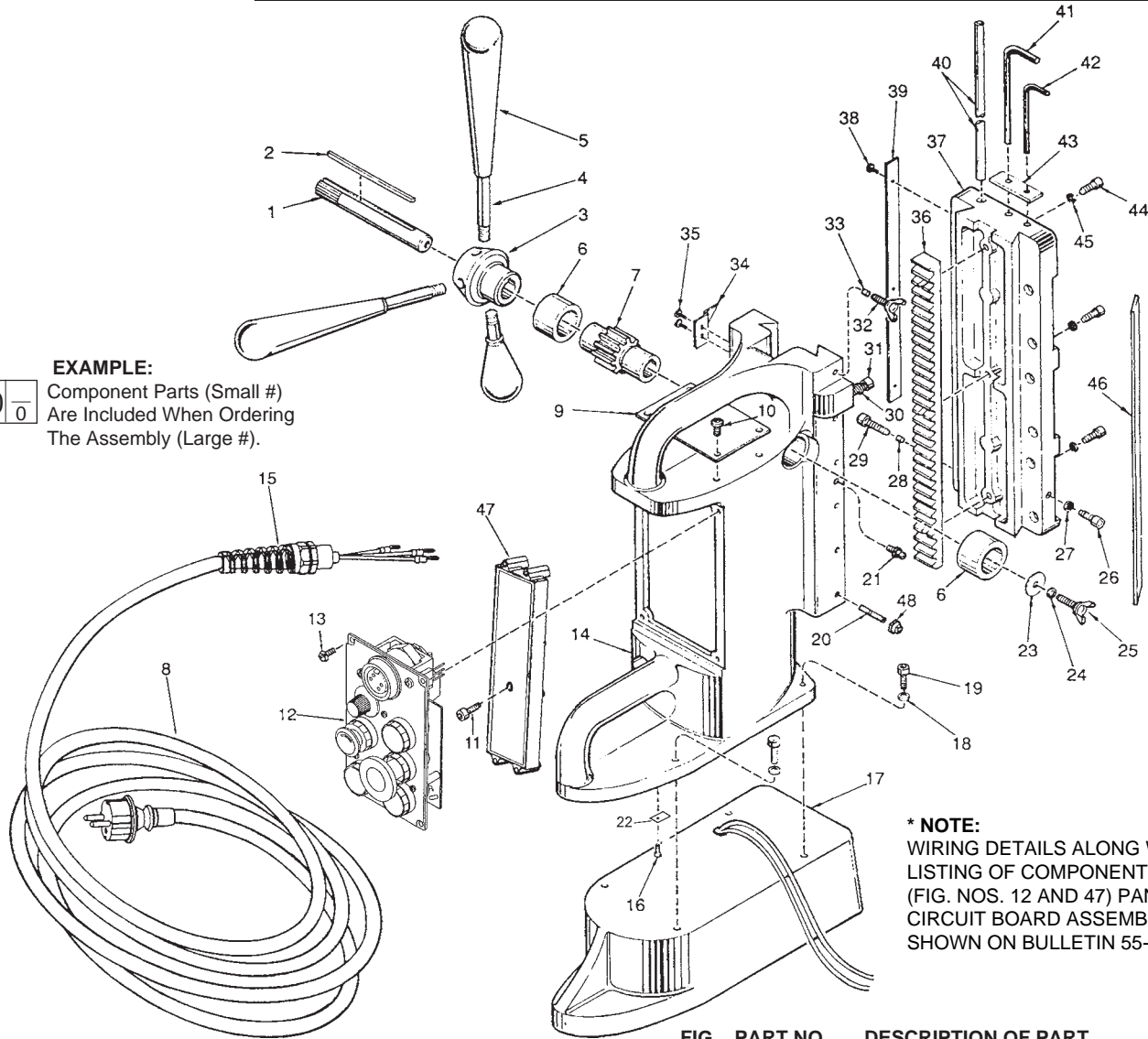
BULLETIN NO.
55-46-2225

SPECIFY CATALOG NO. AND SERIAL NO. WHEN ORDERING PARTS		REVISED BULLETIN	DATE
ELECTROMAGNETIC DRILL STAND			Jan. 2002
CATALOG NO. 4202-50	STARTING SERIAL NO. 598A	WIRING INSTRUCTION * SEE NOTE	

EXAMPLE:

00	0
----	---

 Component Parts (Small #)
 Are Included When Ordering
 The Assembly (Large #).



*** NOTE:**
 WIRING DETAILS ALONG WITH A LISTING OF COMPONENTS FOR (FIG. NOS. 12 AND 47) PANEL AND CIRCUIT BOARD ASSEMBLIES ARE SHOWN ON BULLETIN 55-30-0175

FIG.	PART NO.	DESCRIPTION OF PART	NO. REQ.	FIG.	PART NO.	DESCRIPTION OF PART	NO. REQ.
	1	45-08-0160 Shaft	(1)	29	06-75-3090	1/4-20 x 7/8" Socket Hd. Screw	(2)
	2	06-42-3750 1/8 x 3-1/2" Square Key	(1)	30	06-97-4050	1/4" Split Ring Lock Washer	(1)
	3	43-78-0265 Handle Hub	(1)	31	06-75-2900	1/4-20 x 3/8" Socket Hd. Screw	(1)
	4	43-62-0060 Feed Handle	(1)	32	06-88-0110	1/4-20 x 3/4" Wing Screw	(1)
	5	43-98-0095 Plastic Knob	(3)	33	45-30-0160	Brass Slug	(1)
	6	42-40-0060 Bushing	(2)	34	43-82-0080	Gauge Indicator	(1)
	7	32-60-2120 Pinion Gear	(1)	35	06-82-7252	8-32 x 3/8" Pan Hd. Slit. Taptite T-20	(2)
	8	22-64-4010 Cord Set	(1)	36	44-80-0070	Rack	(1)
	9	12-99-3276 Service Nameplate	(1)	37	30-84-0180	Slide	(1)
	10	06-95-0075 6-32 x 3/8" Truss Hd. Taptite Screw	(4)	38	06-82-5270	6-32 x 1/4" Pan Hd. Slit. T-15	(3)
	11	06-81-0095 8-32 x 1-1/4" Nylon Screw	(3)	39	43-46-0150	Graduated Gauge	(1)
	12	Panel Assembly (See Note)	(1)	40	44-94-0165	Depth Gauge Rod	(1)
	13	06-82-7252 8-32 x 3/8" Pan Hd. Slit. Taptite T-20	(4)	41	49-96-0080	3/16" Socket Wrench	(1)
	14	28-50-7800 Support Housing	(1)	42	49-96-0050	3/32" Socket Wrench	(1)
	15	44-76-0085 Strain Relief/Cord Clamp	(1)	43	43-94-0060	Wrench Keeper	(1)
	16	06-81-8820 Ground Screw	(2)	44	06-75-3005	1/4-20 x 5/8" Socket Hd. Screw	(3)
	17	42-20-0525 Magnetic Base Assembly	(1)	45	06-97-4050	1/4" Split Ring Lock Washer	(3)
	18	06-97-4050 1/4" Split Ring Lock Washer	(4)	46	43-48-0090	Gib	(1)
	19	06-75-3090 1/4-20 x 7/8" Socket Hd. Screw	(4)	47	Circuit Board Assembly (See Note)		(1)
	20	06-83-2520 10-32 x 1" Headless Socket Screw	(5)	48	06-57-4050	Lock Nut	(5)
	21	43-33-0150 Grease Fitting	(2)		48-58-0080	6' Safety Chain	(1)
	22	23-74-1035 Ground Terminal	(1)		43-74-0080	Chain Hook	(1)
	23	45-88-5247 Hub Washer	(1)				
	24	06-97-4050 1/4" Split Ring Lock Washer	(1)				
	25	06-88-0110 1/4-20 x 3/4" Wing Screw	(1)				
	26	06-75-2900 1/4-20 x 3/8" Socket Hd. Screw	(1)				
	27	06-97-4050 1/4" Split Ring Lock Washer	(1)				
	28	45-30-0160 Brass Slug	(2)				

FOR MOUNTING DRILL MOTOR TO STAND USE:
 06-97-4050 1/4" Split Ring Lock Washer (4)
 06-75-3050 1/4-20 x 3/4" Socket Hd. Screw (4)

MILWAUKEE ELECTRIC TOOL CORPORATION
 13135 W. LISBON RD., BROOKFIELD, WI 53005
 Drwg. 3