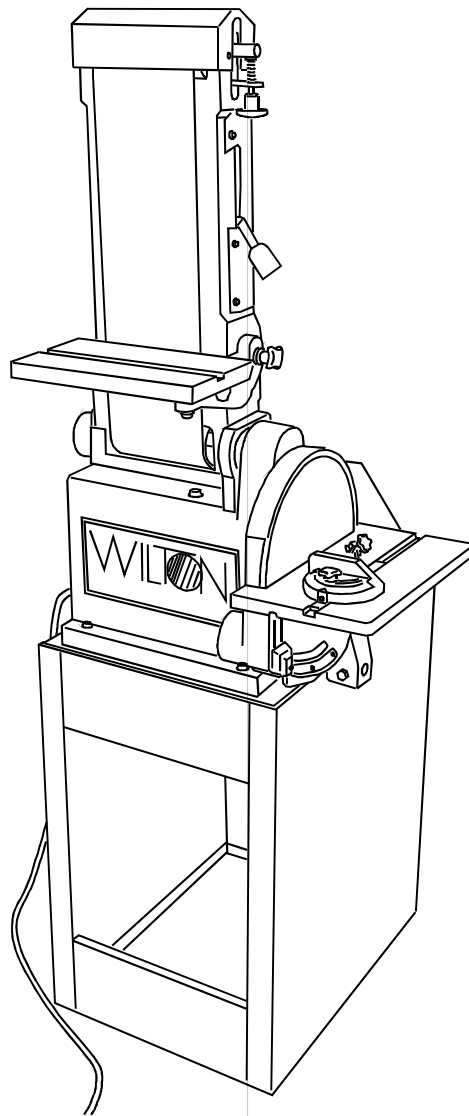




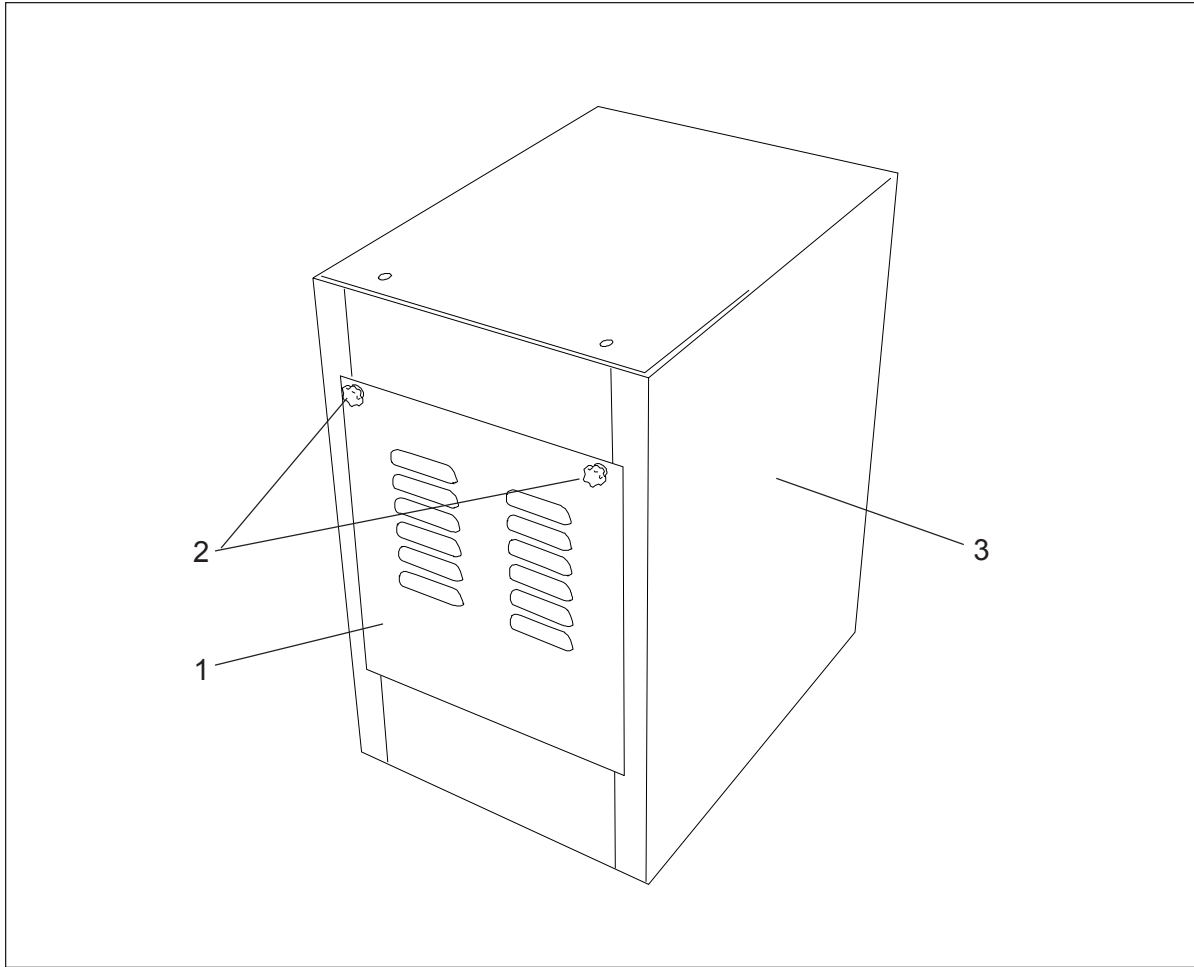
Operating Instructions — Parts Manual  
Wilton Belt and Disc Sanding Machine  
Model: 4210



**WMH TOOL GROUP**  
2420 Vantage Drive  
Elgin, Illinois 60123  
Ph.: 800-274-6848  
[www.wmhtoolgroup.com](http://www.wmhtoolgroup.com)

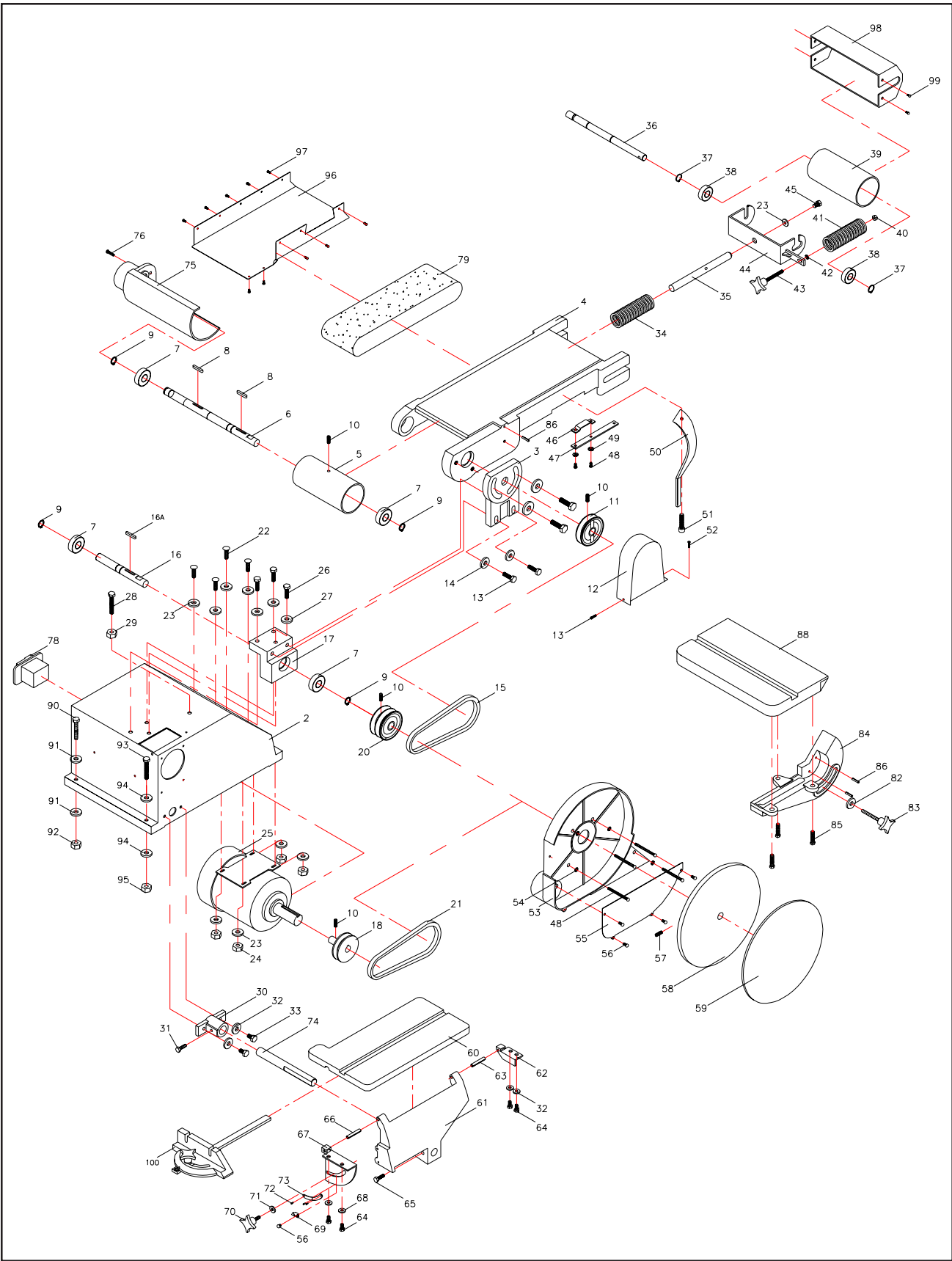
**Part No. 5511717**  
Revision A8 02/05  
Copyright © WMH Tool Group

# Assembled View and Parts Listing of Stand – Model 4210 Belt and Disc Sander



Ref. No.	Part Number	Description	Qty.
1	5513476	Panel, Access	1
2	5513477	Knob	2
3	5515307	Stand, Complete	1

# Exploded View – Wilton Model 4210 Belt & Disc Sander



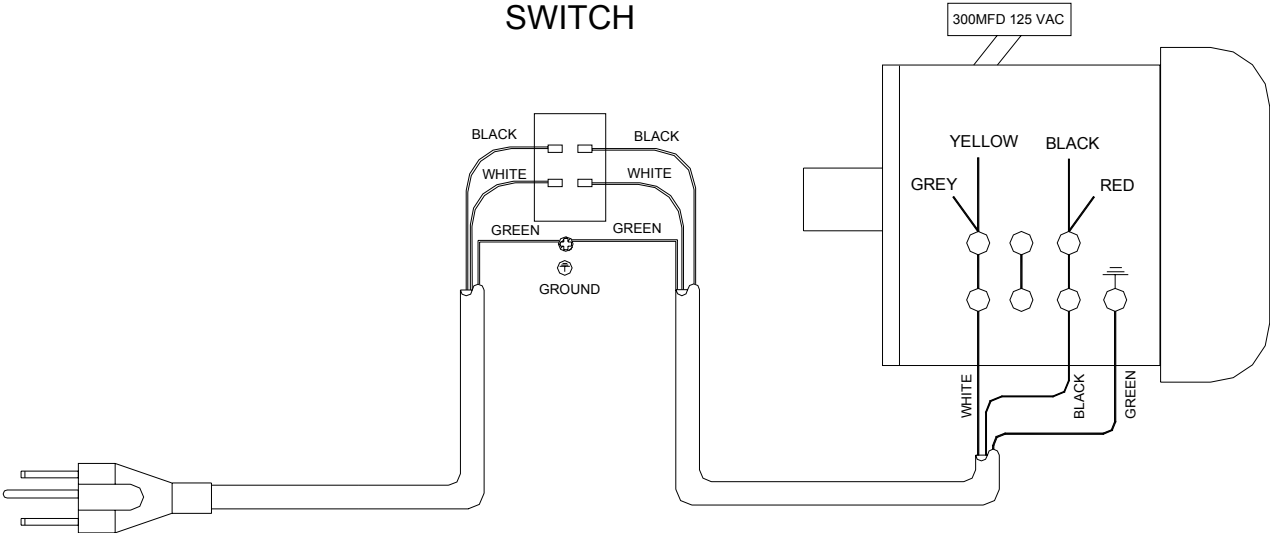
# Parts Listing – Wilton Model 4210 Belt & Disc Sander

Ref. No.	Part Number	Description	Qty	Ref. No.	Part Number	Description	Qty
2	5513011	Base	1	57	5513067	Screw, Set (6 X 10 MM)	1
3	5513012	Bracket	1	58	5512765	Disk, Aluminum	1
4	5513013	Platen	1	59	5513071	Garnet Disk 10": 80 Grit (Standard)	1
5	5513014	Drum, Drive	1			Also available:	
6	5513015	Shaft, Drum Drive	1		5513073	100 Grit	1
7	5513016	Bearing (6203ZZ)	2		5513075	120 Grit	1
8	5513017	Key	1	60	5513077	Table, Side	1
8A	5513028	Key	1	61	5513078	Support, Table	1
9	5513018	Ring, Retaining (S-17)	2	62	5513079	Bracket, Table Support	1
10	5513019	Screw, Set (1/4 X 3/8)	1	63	5513080	Pin, Spring	1
11	5513020	Pulley	1	64	5513081	Screw (1/4 X 3/8)	4
12	5513021	Cover, Pulley	1	65	5513082	Screw, Hex (5/16 X 1)	1
13	5513022	Screw (5/16 X 1-1/2)	4	66	5513083	Pin, Spring	1
14	5513023	Washer, Plain (5/16)	4	67	5513084	Bracket, Table Support	1
15	5513024	V-Belt (A-18)	1	68	5513085	Washer, Flat	2
16	5513025	Shaft, Drive Pulley	1	69	5513086	Pointer	1
17	5513026	Bracket	1	70	5513087	Knob	1
18	5513027	Pulley, Motor	1	71	5513088	Washer	1
20	5513029	Pulley, Idler	1	72	5513089	Rivet	3
21	5513030	V-Belt (A-25)	1	73	5513090	Scale	1
22	5513031	Screw (5/16 X 3/4)	4	73A	5513091	Pointer	1
23	5513032	Washer, Flat (5/16)	8	74	5513092	Rod, Table Support	1
24	5513033	Nut, Hex (5/16)	4	75	5513093	Guard, Belt	1
25	5512767	Motor, 1-HP	1	76	5513094	Screw (3/16 X 5/8)	1
26	5513035	Screw, Hex (3/8 X 1)	3	77	5513095	Cover, Sanding Belt*	1
27	5513036	Washer, Flat (3/8)	3	77A	5513096	Screw, Cap*	8
28	5513037	Screw (3/8 X 1-1/2)	1	78	5512766	Switch	1
29	5513038	Nut, Jam	1	79	5051841	Belt, Abrasive(6 x 48) 80 Grit (Standard)	1
30	5513039	Bracket, Mounting	1			Also available:	
31	5513040	Screw (5/16 X 1)	1		5512764	100 Grit	1
32	5513041	Washer (1/4)	6		5513103	150 Grit	1
33	5513042	Screw, Hex (1/4 X 3/4)	2	82	5513107	Washer	1
34	5513043	Spring (1/4)	1	83	5513108	Knob (1/4 X 1-1/2)	1
35	5513044	Shaft	1	84	5512763	Bracket, Table	1
36	5513045	Shaft, Driven Drum	1	85	5513110	Screw (5/16 X 1-1/2)	3
37	5513046	Ring, Retaining (S-15)	2	86	5513111	Pin (4 X 15)	1
38	5513047	Bearing (6202ZZ)	2	88	5513113	Table, Sanding Belt	1
39	5513048	Drum, Driven	1	89	5513114	Wrench*	1
40	5513049	Nut (1/4)	1	90	5513115	Screw, Socket Head	2
41	5513050	Spring	1	91	5513116	Washer, Flat	2
42	5513051	Washer, Flat	1	92	5513117	Nut, Hex	2
43	5513052	Rod, Threaded, Belt Tracking Adjustment	1	93	5513118	Screw, Hex Head	2
44	5513054	Support, Driven Drum	1	94	5513119	Washer, Flat	2
45	5513055	Screw (5/16 X 1/2)	1	95	5513120	Nut, Hex	2
46	5513056	Bracket	1	96	5513479	Cover, Belt	1
47	5513057	Bar	1	97	5513480	Screw, Socket Head	8
48	5513058	Screw (3/16 X 1/2)	6	98	5514639	Guard, Belt	1
49	5513059	Washer (3/16)	2	99	5514640	Screw	4
50	5513060	Lever, Belt Tension	1	100	5517426	Gauge, Miter	1
51	5513061	Screw (5/16 X 1-1/4)	1		5515308	Head, Complete	1
52	5513062	Screw (3/16 X 3/8)	2				
53	5513063	Guard, Disk	1				
54	5513064	Washer, Lock (3/16)	4				
55	5513065	Plate, Cover	1				
56	5513066	Screw (3/16 X 1/4)	5				

\* Part not shown.

# Wiring Diagram

## 4210 ELECTRICAL SCHEMATIC - 115V



## 4210 ELECTRICAL SCHEMATIC - 230V

