



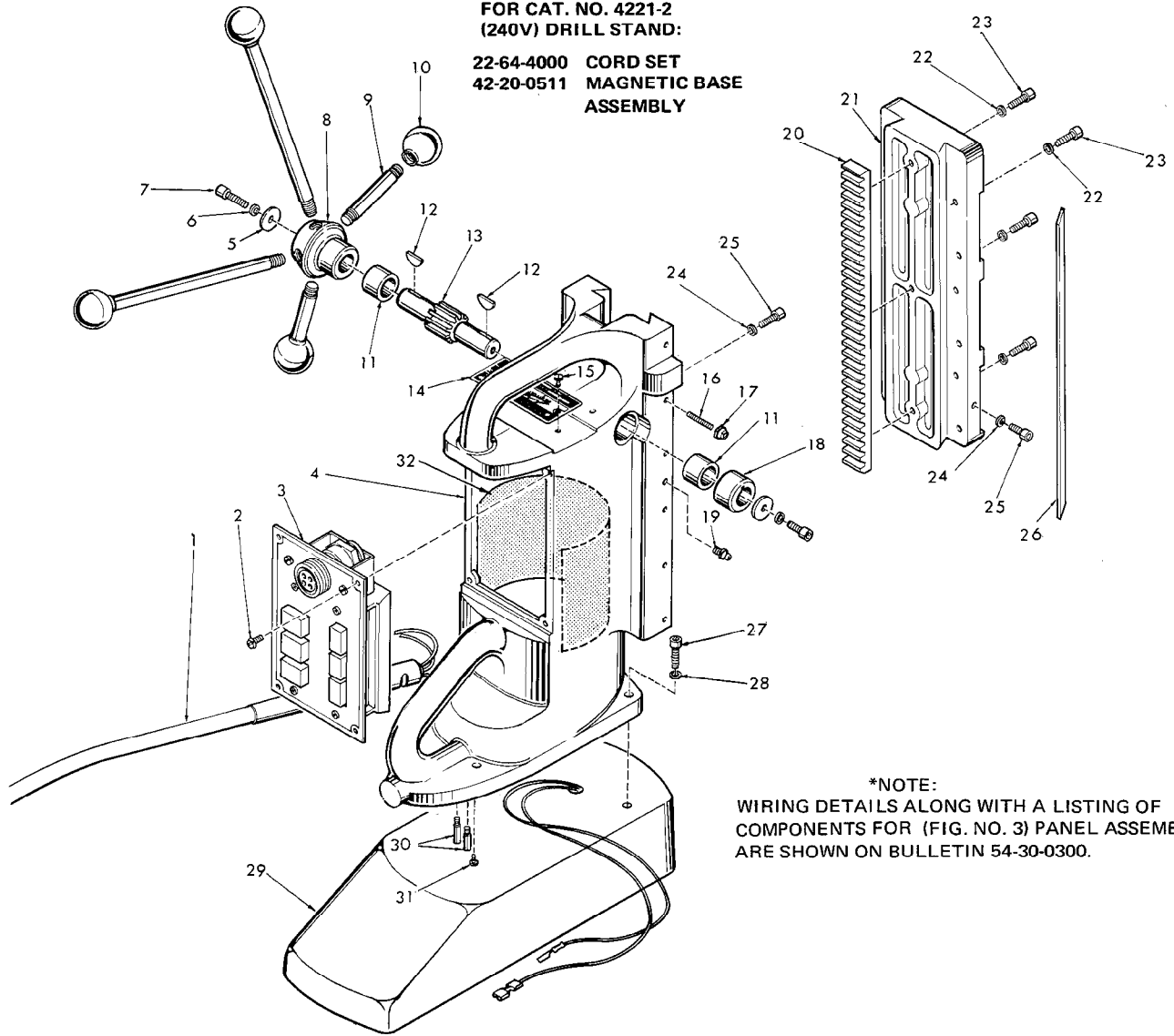
# SERVICE PARTS LIST

**BULLETIN NO.**  
54-46-2302

SPECIFY CATALOG NO. AND SERIAL NO. WHEN ORDERING PARTS		REVISED BULLETIN	DATE
<b>LARGE BASE ELECTROMAG DRILL STAND</b>			Jan. '83
<b>CATALOG NO. 4221</b>	<b>STARTING SERIAL NO. 499-3700</b>	<b>WIRING INSTRUCTION</b> * SEE NOTE	
<b>CAT. NO. 4221-6</b>	<b>START SER. NO. 499-3700</b>	<b>BILINGUAL LABEL - SEE NAMEPLATE</b>	

**FOR CAT. NO. 4221-2  
(240V) DRILL STAND:**

**22-64-4000 CORD SET**  
**42-20-0511 MAGNETIC BASE ASSEMBLY**



**\*NOTE:**  
WIRING DETAILS ALONG WITH A LISTING OF COMPONENTS FOR (FIG. NO. 3) PANEL ASSEMBLY ARE SHOWN ON BULLETIN 54-30-0300.

FIG.	PART NO.	DESCRIPTION OF PART	NO. REQ.	FIG.	PART NO.	DESCRIPTION OF PART	NO. REQ.
1	22-64-0075	Cord Set	(1)	18	43-78-0230	Hub	(1)
2	06-81-5400	8-32x5/16 Binder Sems	(4)	19	43-33-0150	Grease Fitting	(2)
3	—	Panel Assembly (See Note)	(1)	20	44-80-0070	Rack	(1)
4	28-50-7820	Support Housing	(1)	★ 21	30-84-0190	Slide	(1)
5	45-88-5247	Hub Washer	(2)	22	06-97-4050	Lock Washer	(7)
6	06-97-4050	Lock Washer	(2)	23	06-75-3050	1/4-20x3/4 Socket Hd. Screw	(7)
7	06-75-3005	1/4-20x5/8 Socket Hd. Screw	(2)	24	06-97-4050	Lock Washer	(2)
8	43-78-0240	Handle Hub	(1)	25	06-75-2900	1/4-20x3/8 Socket Hd. Screw	(2)
9	43-62-0055	Handle	(4)	26	43-48-0100	Gib	(1)
10	43-98-0050	Plastic Knob	(4)	27	06-75-3250	1/4-20x1/2 Socket Hd. Screw	(4)
11	42-40-0445	Bushing	(2)	28	06-97-4050	Lock Washer	(4)
12	06-42-2300	Woodruff Key	(2)	29	42-20-0410	Magnetic Base Assembly	(1)
13	32-60-2050	Pinion Gear	(1)	30	45-04-0100	Cord Retaining Screw	(2)
14	12-99-0060	Nameplate	(1)	31	06-81-8800	8-32x1/4 Ground Screw	(1)
	12-99-0326	Nameplate Blank (Canada)		32	23-16-0760	Panel Insulator	(1)
15	06-85-0200	6x1/4 Rd. Hd. Type Z Screw	(4)	▶ 33	12-98-7035	Instruction Plate (Not Shown) Located Next To Nameplate	(1)
16	06-83-2520	10-32x1 Hdls. Socket Screw	(6)				
17	06-57-4050	Lock Nut	(6)				

▶ Omit for Canadian Tools

**MILWAUKEE ELECTRIC TOOL CORPORATION**  
13135 W. LISBON RD., BROOKFIELD, WIS. 53005