



SERVICE PARTS LIST

BUL. 54-46-2151

ELECTROMAGNETIC DRILL STAND

REVISED BUL
6297-2

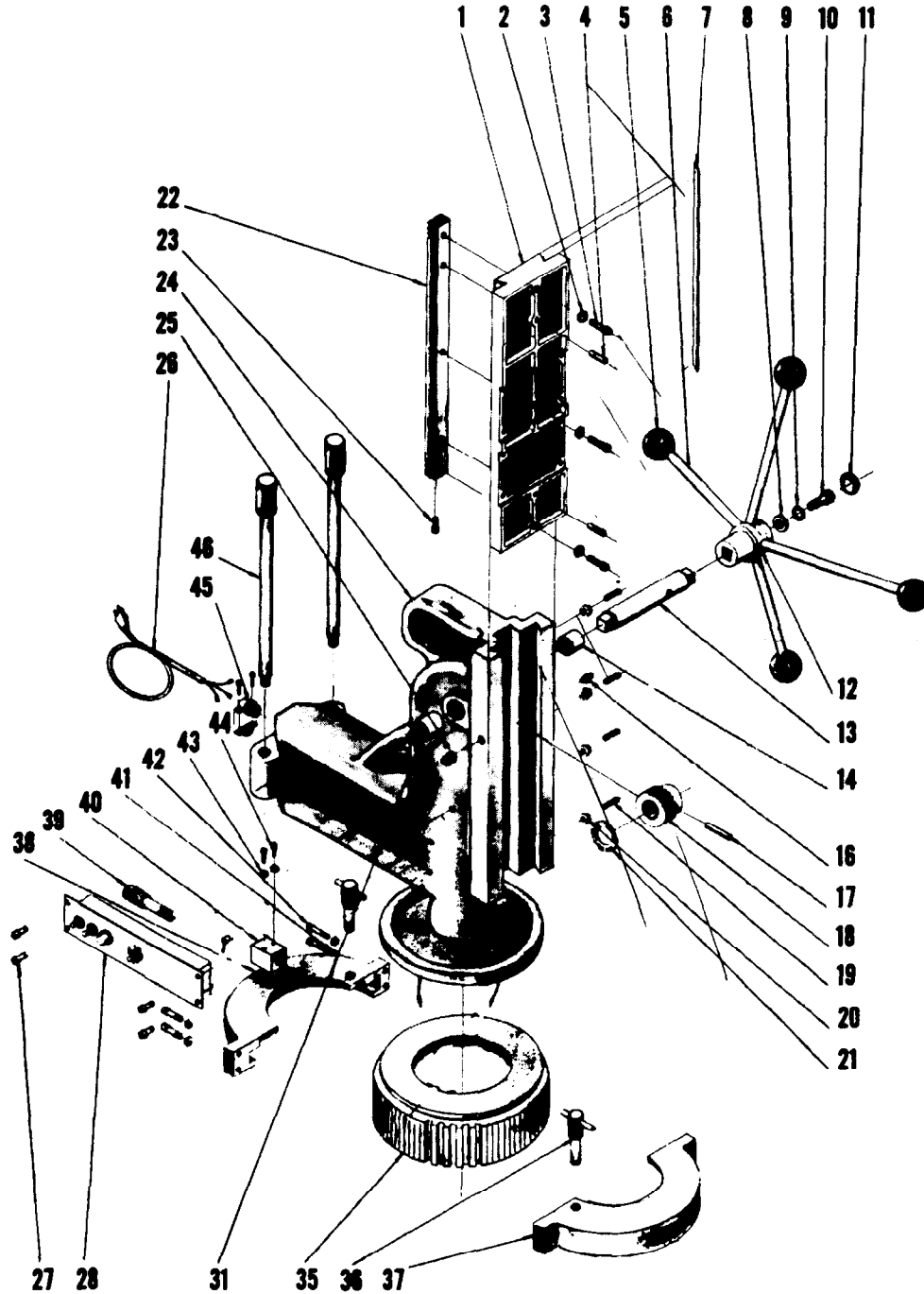
DATE
Feb. '68

Catalog No. **4230**

Starting
Serial No. **297-1275**

WIRING INSTR.

Both Model and Serial No. must be furnished to obtain correct parts.



PARTS LIST

CATALOG NO. 4230
ELECTROMAGNETIC STAND
Starting with Serial No. 297-1275

ILLUSTRATED PARTS

FIG.	PART NO.	DESCRIPTION OF PART	FIG.	PART NO.	DESCRIPTION OF PART
1	30-84-0141	Slide	22	44-80-0120	Rack
2	06-97-4050	1/4 Lock Washer (3)	23	06-75-3150	1/4-20x1 Socket Hd. Screw
3	06-75-3050	1/4-20x3/4 Socket Hd. Screw (3)	24	28-50-7901	Support Housing
4	06-65-1650	1/4x1-1/4 Roll Pin (2)	25	43-33-0150	Grease Fitting
5	43-98-0050	Plastic Knob (4)	* 26	22-64-0330	Cord Set
6	43-62-0280	Feed Handle (4)	27	06-81-5790	6-32x1/4 Fil. Hd. Screw (4)
7	43-48-0060	Gib	28	23-35-0050	Power Panel Assembly
8	45-88-0420	3/4 O.D.x9/32 I.D.x1/8 Washer	31	42-40-0360	Bushing
9	06-97-4050	1/4 Lock Washer	35	42-20-0220	Magnetic Base
10	06-75-3150	1/4-20x1 Socket Hd. Screw	36	45-04-0320	Swivel Lock Screw (2)
11	44-68-0110	Plug	37	28-82-0111	Split Ring Half
12	43-78-0100	Hub	38	28-82-0110	Split Ring Half
13	45-08-0050	Shaft	39	45-04-0310	Micro Screw
14	42-40-0340	Bushing	40	42-28-0120	Micro Screw Support Block (4)
16	43-33-0150	Grease Fitting	41	06-97-4050	1/4 Lock Washer (4)
17	06-65-1650	1/4x1-1/4 Roll Pin	42	06-75-2950	1/4-20x1/2 Soc. Hd. Screw (4)
18	32-60-1001	Pinion Gear	43	06-97-4050	1/4 Lock Washer (2)
19	06-55-1100	10-32 Hex Nut (4)	44	06-75-2950	1/4-20x1/2 Soc. Hd. Screw (2)
20	06-83-2520	10-32x1 Set Screw (4)	45	22-38-0080	Cord Clamp
21	45-88-0410	Spring Washer	46	45-04-0300	Balance Screw (2)

MISCELLANEOUS PARTS NOT SHOWN

PART NO.	DESCRIPTION OF PART	PART NO.	DESCRIPTION OF PART
22-38-0100	Cable Clamp	06-81-2400	10-32x5/8 Fil. Hd. Cable Clamp Sems
12-98-5500	Name Plate	06-81-8400	4-40x1/4 Fil.Hd. Name Plate Sems (2)