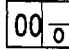


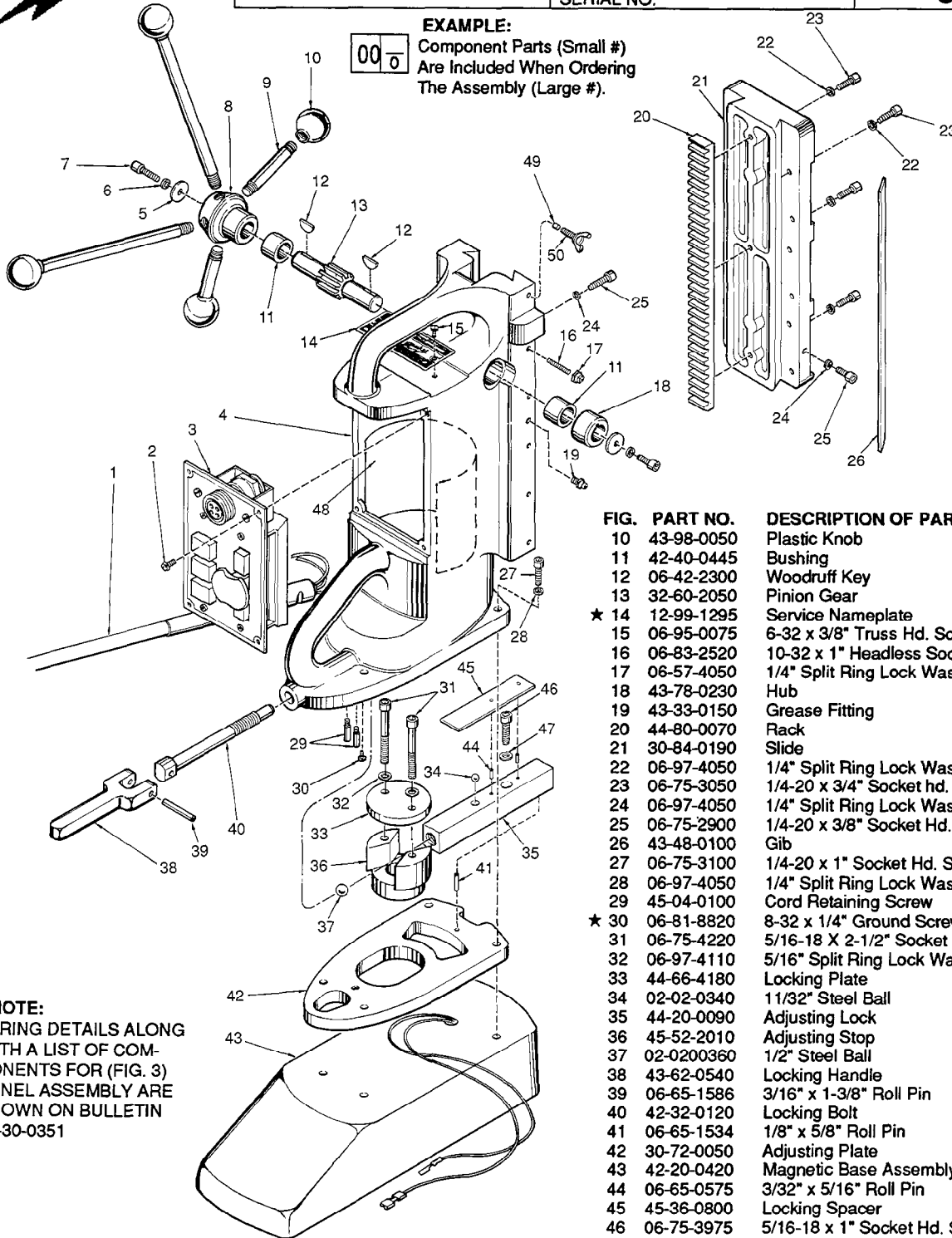


SERVICE PARTS LIST

BULLETIN NO.
54-46-2405

SPECIFY CATALOG NO. AND SERIAL NO. WHEN ORDERING PARTS		REVISED BULLETIN	DATE
ADJUSTABLE BASE ELECTROMAG DRILL STAND		54-46-2404	Sept. '93
CATALOG NO. 4231	STARTING SERIAL NO. 500A	WIRING INSTRUCTION * SEE NOTE	

EXAMPLE:

 Component Parts (Small #)
 Are Included When Ordering
 The Assembly (Large #).



*** NOTE:**
 WIRING DETAILS ALONG
 WITH A LIST OF COM-
 PONENTS FOR (FIG. 3)
 PANEL ASSEMBLY ARE
 SHOWN ON BULLETIN
 54-30-0351

FIG.	PART NO.	DESCRIPTION OF PART	NO. REQ.
	10	43-98-0050 Plastic Knob	(4)
	11	42-40-0445 Bushing	(2)
	12	06-42-2300 Woodruff Key	(2)
	13	32-60-2050 Pinion Gear	(1)
★	14	12-99-1295 Service Nameplate	(1)
	15	06-95-0075 6-32 x 3/8" Truss Hd. Screw	(2)
	16	06-83-2520 10-32 x 1" Headless Socket Screw	(5)
	17	06-57-4050 1/4" Split Ring Lock Washer	(5)
	18	43-78-0230 Hub	(1)
	19	43-33-0150 Grease Fitting	(2)
	20	44-80-0070 Rack	(1)
	21	30-84-0190 Slide	(1)
	22	06-97-4050 1/4" Split Ring Lock Washer	(7)
	23	06-75-3050 1/4-20 x 3/4" Socket Hd. Screw	(7)
	24	06-97-4050 1/4" Split Ring Lock Washer	(2)
	25	06-75-2900 1/4-20 x 3/8" Socket Hd. Screw	(2)
	26	43-48-0100 Gib	(1)
	27	06-75-3100 1/4-20 x 1" Socket Hd. Screw	(4)
	28	06-97-4050 1/4" Split Ring Lock Washer	(4)
	29	45-04-0100 Cord Retaining Screw	(2)
★	30	06-81-8820 8-32 x 1/4" Ground Screw	(1)
	31	06-75-4220 5/16-18 X 2-1/2" Socket Hd. Screw	(2)
	32	06-97-4110 5/16" Split Ring Lock Washer	(2)
	33	44-66-4180 Locking Plate	(1)
	34	02-02-0340 11/32" Steel Ball	(1)
	35	44-20-0090 Adjusting Lock	(1)
	36	45-52-2010 Adjusting Stop	(1)
	37	02-0200360 1/2" Steel Ball	(1)
	38	43-62-0540 Locking Handle	(1)
	39	06-65-1586 3/16" x 1-3/8" Roll Pin	(1)
	40	42-32-0120 Locking Bolt	(1)
	41	06-65-1534 1/8" x 5/8" Roll Pin	(1)
	42	30-72-0050 Adjusting Plate	(1)
	43	42-20-0420 Magnetic Base Assembly	(1)
	44	06-65-0575 3/32" x 5/16" Roll Pin	(2)
	45	45-36-0800 Locking Spacer	(1)
	46	06-75-3975 5/16-18 x 1" Socket Hd. Screw	(1)
	47	06-97-4110 5/16" Split Ring Lock Washer	(1)
	48	23-16-0760 Panel Insulator	(1)
	49	45-30-0160 Brass Slug	(1)
	50	06-88-0110 1/4-20 x 3/4" Wing Screw	(1)
		48-58-0080 6' Safety Chain (incl. 43-74-0080)	(1)
		43-74-0080 Chain Hook	(1)
		49-96-0050 3/32" Socket Wrench	(1)
		49-96-0080 3/16" Socket Wrench	(1)

FIG.	PART NO.	DESCRIPTION OF PART	NO. REQ.
★	1	22-64-0076 Cord Set	(1)
	2	06-81-5400 8-32 x 5/16" Binder Sems	(4)
	3	23-35-0301 Panel Assembly (See Note)	(1)
★	4	28-50-7826 Support Housing	(1)
	5	45-88-5247 Hub Washer	(2)
	6	06-97-4050 1/4" Split Ring Lock Washer	(2)
	7	06-75-3005 1/4-20 x 5/8" Socket Hd. Screw	(2)
	8	43-78-0240 Handle Hub	(1)
	9	43-62-0055 Handle	(4)

MILWAUKEE ELECTRIC TOOL CORPORATION
 13135 W. LISBON RD., BROOKFIELD, WI 53005