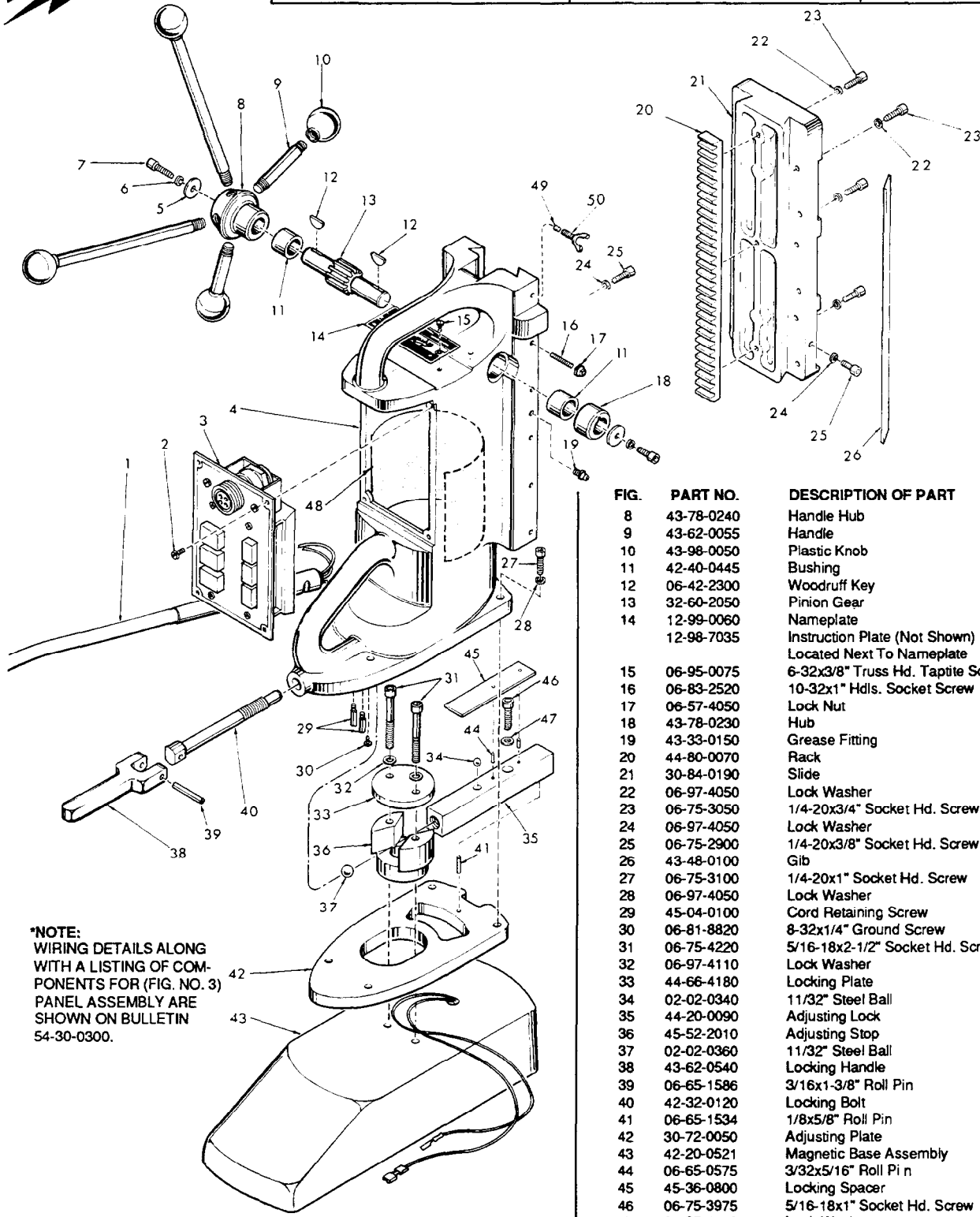




SERVICE PARTS LIST

BULLETIN NO.
55-46-0041

SPECIFY CATALOG NO. AND SERIAL NO. WHEN ORDERING PARTS		REVISED BULLETIN	DATE
ADJ. BASE ELECTROMAGNETIC DRILL STAND			March '88
CATALOG NO. 4231-4	STARTING SERIAL NO. 500-1100	WIRING INSTRUCTION *SEE NOTE	



***NOTE:**
WIRING DETAILS ALONG WITH A LISTING OF COMPONENTS FOR (FIG. NO. 3) PANEL ASSEMBLY ARE SHOWN ON BULLETIN 54-30-0300.

FIG.	PART NO.	DESCRIPTION OF PART	NO. REQ.
1	22-64-4445	Cord Set	(1)
2	06-81-5400	8-32 x 5/16" Binder Sems	(4)
3	23-35-0241	Panel Assembly (See Note)	(1)
4	28-50-7826	Support Housing	(1)
5	45-88-5247	Hub Washer	(2)
6	06-97-4050	Lock Washer	(2)
7	06-75-3005	1/4-20x5/8" Socket Hd. Screw	(2)

FIG.	PART NO.	DESCRIPTION OF PART	NO. REQ.
8	43-78-0240	Handle Hub	(1)
9	43-62-0055	Handle	(4)
10	43-98-0050	Plastic Knob	(4)
11	42-40-0445	Bushing	(2)
12	06-42-2300	Woodruff Key	(2)
13	32-60-2050	Pinion Gear	(1)
14	12-99-0060	Nameplate	(1)
	12-98-7035	Instruction Plate (Not Shown) Located Next To Nameplate	(1)
15	06-95-0075	6-32x3/8" Truss Hd. Taprite Screw	(4)
16	06-83-2520	10-32x1" Hdis. Socket Screw	(5)
17	06-57-4050	Lock Nut	(5)
18	43-78-0230	Hub	(1)
19	43-33-0150	Grease Fitting	(2)
20	44-80-0070	Rack	(1)
21	30-84-0190	Slide	(1)
22	06-97-4050	Lock Washer	(7)
23	06-75-3050	1/4-20x3/4" Socket Hd. Screw	(7)
24	06-97-4050	Lock Washer	(2)
25	06-75-2900	1/4-20x3/8" Socket Hd. Screw	(2)
26	43-48-0100	Gib	(1)
27	06-75-3100	1/4-20x1" Socket Hd. Screw	(4)
28	06-97-4050	Lock Washer	(4)
29	45-04-0100	Cord Retaining Screw	(2)
30	06-81-8820	8-32x1/4" Ground Screw	(1)
31	06-75-4220	5/16-18x2-1/2" Socket Hd. Screw	(2)
32	06-97-4110	Lock Washer	(2)
33	44-66-4180	Locking Plate	(1)
34	02-02-0340	11/32" Steel Ball	(1)
35	44-20-0090	Adjusting Lock	(1)
36	45-52-2010	Adjusting Stop	(1)
37	02-02-0360	11/32" Steel Ball	(1)
38	43-62-0540	Locking Handle	(1)
39	06-65-1586	3/16x1-3/8" Roll Pin	(1)
40	42-32-0120	Locking Bolt	(1)
41	06-65-1534	1/8x5/8" Roll Pin	(1)
42	30-72-0050	Adjusting Plate	(1)
43	42-20-0521	Magnetic Base Assembly	(1)
44	06-65-0575	3/32x5/16" Roll Pin	(2)
45	45-36-0800	Locking Spacer	(1)
46	06-75-3975	5/16-18x1" Socket Hd. Screw	(1)
47	06-97-4110	Lock Washer	(1)
48	23-16-0760	Panel Insulator	(1)
49	45-30-0160	Brass Slug	(1)
50	06-88-0110	1/4-20x3/4" Wing Screw	(1)
	43-74-0080	Chain Hook	(1)
	42-60-0120	Chain	(1)

MILWAUKEE ELECTRIC TOOL CORPORATION
13135 W. LISBON RD., BROOKFIELD, WI 53005