



# SERVICE PARTS LIST

## 1/2" ELECTRIC DRILL

**Catalog No. 4252-1**

Starting  
Serial No. **501-1001**

Specify Catalog and Serial No. when ordering parts

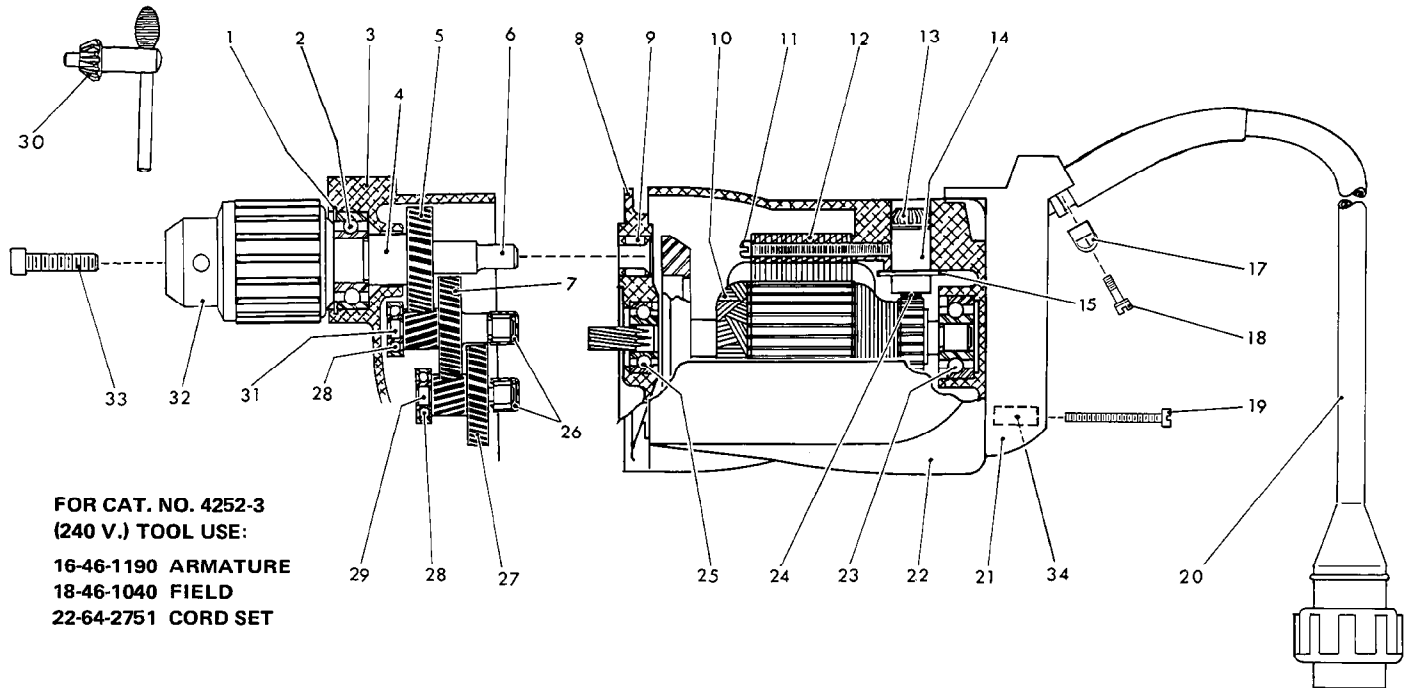
**BUL. 54-14-1100**

REVISED BUL.

DATE  
OCT. '77

WIRING INSTRUCTIONS  
**58-01-0401**

450 R.P.M.



**FOR CAT. NO. 4252-3  
(240 V.) TOOL USE:**

**16-46-1190 ARMATURE**  
**18-46-1040 FIELD**  
**22-64-2751 CORD SET**

FIG.	PART NO.	DESCRIPTION OF PART	NO. REQ.	FIG.	PART NO.	DESCRIPTION OF PART	NO. REQ.
1	34-80-2500	Retaining Ring	(1)	18	06-81-6150	8-32x1/2 Fil. Hd. Sem	(2)
2	02-04-1560	Ball Bearing	(1)	19	06-81-7150	10-24x1-3/8 Fil. Hd. Sem	(2)
3	28-14-0761	Gear Case	(1)	20	22-64-0751	Cord Set	(1)
4	45-36-0210	Spindle Gear Spacer	(1)	21	28-50-1381	Cord Clamp Housing	(1)
5	32-75-2061	Spindle Gear	(1)	22	28-50-4642	Motor Housing	(1)
6	38-50-3651	Spindle	(1)	23	02-04-0970	Ball Bearing	(1)
7	32-75-2041	Spindle Gear	(1)	24	22-18-0100	Carbon Brush	(2)
8	28-28-0662	Diaphragm	(1)	25	02-04-0940	Ball Bearing	(1)
9	02-50-2110	Needle Bearing	(1)	26	02-50-1640	Needle Bearing	(2)
10	16-42-1210	120 V. Armature	(1)	27	32-40-1241	Intermediate Gear	(1)
11	06-81-6600	8-32x1-3/4 Fil. Hd. Sem	(2)	28	02-04-0640	Ball Bearing	(2)
12	18-42-1040	120 V. Field	(1)	29	36-66-2801	Intermediate Shaft	(1)
13	23-44-0060	Brush Retaining Screw	(2)	30	48-66-3280	Chuck Key	(1)
14	22-22-0080	Brush Holder	(2)	31	36-66-2901	Intermediate Shaft	(1)
15	23-86-0110	Brush Holder Washer	(2)	32	48-66-1360	Chuck	(1)
17	28-17-0400	Clamp Strap	(1)	33	06-75-3150	1/4-20x1 L.H. Socket Hd. Cap Screw	(1)
				34	23-48-7376	Sleeving 7/8" Long	(2)

### MISCELLANEOUS PARTS NOT SHOWN

06-42-0800	Woodruff Keys (For Fig. No. 7 & 27)	(2)
06-81-6350	8-32x1 Fil. Hd. Sem (For Fig. 3)	(1)
06-81-6650	8-32x1-3/4 Fil. Hd. Sem (For Fig. 3)	(2)
06-83-2670	1/4-20x1/2 Knrl. Set Screw (For Brush Holder)	(2)
06-85-0200	6x1/4 Rd. Hd. T type Z (Nameplate Screw)	(2)
12-99-0030	Nameplate	(1)
48-66-4040	Rubber Key Holder	(1)
06-42-1600	Woodruff Key (For Fig.No.5)	(1)
12-98-7081	Caution Plate	(1)