

## Table Saw - 0 601 475 061 - 4405

www.powertools-aftersaleservice.com



**BOSCH**

Item	Part Number	Description	Illustration	Price	Quantity	Price Group
1	2 610 950 334	Motor Housing	3	-,-	1	-
2	2 610 950 335	Field	3	-,-	1	-
3	2 610 911 857	Rotor 120V	3	-,-	1	51
4	2 610 950 336	Switch	3	-,-	1	28
5	2 610 950 337	Cord	3	-,-	1	-
6	2 610 950 338	Grommet	3	-,-	1	-
7	2 610 950 339	Clamp	3	-,-	1	-
8	2 610 950 340	Nameplate	3	-,-	1	-
10	2 610 997 207	Carbon-Brush Set	3	-,-	1	26
13	2 610 950 341	groove ball bearing	3	-,-	1	-
14	2 610 997 210	Ball Bearing	3	-,-	1	26
15	2 610 358 932	Connector	3	-,-	1	11
20	2 610 950 342	Warning Label	2	-,-	1	-
22	2 610 950 343	Extension Stand	2	-,-	1	-
23	2 610 950 344	Extension Stand	2	-,-	1	-
24	2 610 950 345	Extension Stand	2	-,-	1	-
25	2 610 950 346	Table	1	-,-	1	-
26	2 610 950 347	Sliding Support	2	-,-	1	-
27	2 610 950 348	Sliding Support	2	-,-	1	-
28	2 610 950 349	Chip Deflector	4	-,-	1	-
29	2 610 950 350	Pivot housing	1	-,-	1	-
30	2 610 950 351	End cap	1	-,-	1	-
31	2 610 950 352	Carrying Handle	3	-,-	1	-
32	2 610 950 353	Clip	1	-,-	1	-
33	2 610 950 354	Support bracket	1	-,-	1	-
34	2 610 950 355	Housing	3	-,-	1	-
35	2 610 950 356	Guard Profile	4	-,-	1	-
36	2 610 950 357	Chip Deflector	4	-,-	1	-
37	2 610 950 358	End cap	3	-,-	1	-
38	2 610 950 359	Cover	3	-,-	1	-
39	2 610 950 360	Contact strap	2	-,-	1	-
40	2 610 950 361	Shoulder Screw	2	-,-	1	-
42	2 610 950 362	Handle	3	-,-	1	-

Item	Part Number	Description	Illustration	Price	Quantity	Price Group
43	2 610 950 363	Handle	3	-,-	1	-
44	2 610 950 364	Lever	3	-,-	1	-
45	2 610 950 365	Button	3	-,-	1	-
46	2 610 950 366	Button	3	-,-	1	-
47	2 610 950 367	Linkage part	3	-,-	1	-
48	2 610 950 368	Pointer	1	-,-	1	-
49	2 610 950 369	Lever	2	-,-	1	-
50	2 610 950 370	Contact strap	2	-,-	1	-
51	2 610 950 371	Clamping Sleeve	2	-,-	1	-
52	2 610 950 372	Clamping Bolt	2	-,-	1	-
53	2 610 950 373	Clamping Plate	2	-,-	1	-
54	2 610 950 374	Torsion Spring	4	-,-	1	-
56	2 610 950 375	Support Plate	1	-,-	2	-
57	2 610 950 376	Knob	1	-,-	1	-
58	2 610 992 381	Bolt	2	-,-	2	-
59	2 610 950 377	Holding Fixture	1	-,-	1	-
60	2 610 911 923	Screw	3	-,-	1	12
61	2 610 950 378	Foam Rubber	3	-,-	1	-
62	2 610 950 379	Lever	1	-,-	1	-
63	2 610 919 291	Bracket	1	-,-	1	27
64	2 610 919 270	Cam	1	-,-	1	11
65	2 610 950 380	Rotary Knob	1	-,-	1	-
66	2 610 950 381	Set screw	3	-,-	1	-
67	2 610 950 382	Set screw	3	-,-	1	-
69	2 610 950 383	Pivoting Blade Guard	4	-,-	1	31
70	2 610 950 384	Plate	4	-,-	1	-
71	2 610 950 385	Connecting link	4	-,-	1	-
72	2 610 950 386	Locking Lever	1	-,-	1	-
73	2 610 950 387	Baffle	3	-,-	1	-
74	2 610 919 290	Rod	1	-,-	1	27
75	2 610 950 388	Roller	4	-,-	1	-
76	2 610 919 271	Cam Ring	1	-,-	1	21
77	2 610 950 389	Washer	3	-,-	2	10
78	2 610 950 390	Screw	3	-,-	2	-
79	2 610 911 870	Plain Washer	4	-,-	1	13
80	2 610 950 391	Locking Lever	2	-,-	1	-
81	2 610 950 392	Locking Lever	2	-,-	1	-
82	2 610 950 393	Retaining Plate	1	-,-	1	-
83	2 610 950 394	Cap-Handle	1	-,-	1	-
84	2 610 950 395	Retaining Plate	1	-,-	1	-
85	2 610 950 396	Pointer	1	-,-	1	-
86	2 610 950 397	Cable Cleat	1	-,-	2	-
88	2 610 950 398	Scale Plate	1	-,-	1	-
89	2 610 950 399	Nut	1	-,-	1	-
90	2 610 915 698	Wrench Socket	1	-,-	1	20
91	2 610 911 899	Screw	1	-,-	5	10
92	2 610 950 400	Bearing Cover Plate	3	-,-	1	-
93	2 610 950 401	Retaining Plate	1	-,-	1	-
95	2 610 950 402	Sliding Plate	2	-,-	2	-
98	2 610 916 460	Bushing	1	-,-	1	10
99	2 610 911 914	Set screw	1	-,-	4	12
101	2 610 953 700	Rivet	1	-,-	2	-
102	2 610 950 403	Shaft	1	-,-	1	-

Item	Part Number	Description	Illustration	Price	Quantity	Price Group
104	2 610 915 760	Sliding Bearing	1	-,-	2	44
105	2 610 950 404	Sliding Rail	1	-,-	2	-
107	2 610 950 405	Torsion Spring	1	-,-	1	-
108	2 610 950 406	Sleeve	1	-,-	1	-
109	2 610 950 407	Shaft	1	-,-	1	-
110	2 610 950 408	Locking Pin	3	-,-	1	-
111	2 610 992 360	Toothed Gear	3	-,-	1	-
112	2 610 992 359	Grinding Spindle	3	-,-	1	-
113	2 610 950 409	Warning Label	2	-,-	1	-
115	2 610 955 233	Brush-Cover	3	-,-	2	11
120	2 610 992 356	Spring retaining ring	3	-,-	1	10
121	2 610 950 410	Warning Label	3	-,-	1	-
122	2 610 993 105	Ball Bearing	3	-,-	1	32
123	2 610 953 701	Label	3	-,-	1	-
124	1 609 902 678	Lever Shaft	1	-,-	1	20
125	2 610 950 413	Label	1	-,-	1	-
126	2 610 911 886	Self-locking nut	1	-,-	1	10
127	2 610 950 414	Washer	1	-,-	2	-
129	2 610 911 907	Screw and washer assembly	1	-,-	2	10
130	2 610 911 908	Set screw	3	-,-	2	11
131	2 610 911 937	Shim	3	-,-	2	15
132	2 610 911 909	Flange	4	-,-	2	19
134	2 610 911 871	Screw	4	-,-	1	12
135	2 610 913 099	Plain Washer	4	-,-	1	10
136	2 610 950 416	Shoulder Screw	4	-,-	1	-
137	2 610 911 599	Plain Washer	4	-,-	2	10
138	2 610 955 237	Bushing	4	-,-	1	-
139	2 610 955 551	Clamp	1	-,-	1	-
140	2 610 993 108	Spring retaining ring	3	-,-	1	10
141	2 610 998 572	Screw	1	-,-	3	10
142	2 610 950 117	Screw	3	-,-	4	10
145	2 610 950 417	Hexagon Bolt	2	-,-	1	-
147	2 610 950 418	Screw	1	-,-	6	10
148	2 610 358 846	Rubber Bushing	2	-,-	4	11
149	2 610 911 918	Screw	1	-,-	1	13
150	2 610 911 901	Self-locking nut	1	-,-	3	11
151	2 610 347 092	Plain Washer	1	-,-	2	10
152	2 610 911 897	Screw	1	-,-	3	10
153	2 610 950 419	Wear Plate	1	-,-	1	-
154	2 610 911 900	Screw	1	-,-	2	10
158	2 610 921 458	Washer	1	-,-	1	10
159	2 610 911 589	Felt Washer	1	-,-	4	21
160	2 610 919 102	Clamping Block	1	-,-	4	18
162	2 610 358 149	Nut	1	-,-	7	10
163	2 610 911 584	Rubber Pad	1	-,-	2	10
164	2 610 911 583	Knob	1	-,-	1	20
165	2 610 911 582	Spring	1	-,-	1	10
166	2 610 950 420	Locking Pin	1	-,-	1	-
167	2 610 911 576	Compression Spring	1	-,-	1	11
168	2 610 911 577	Retaining Pin	1	-,-	1	11
169	2 610 358 848	Screw	1	-,-	3	11
171	2 610 911 911	Shoulder Screw	4	-,-	1	10
172	2 610 911 921	Round Rubber	4	-,-	1	10

Item	Part Number	Description	Illustration	Price	Quantity	Price Group
176	2 610 911 570	Hex Nut	4	-,-	1	10
178	2 610 950 421	Spring retaining ring	4	-,-	1	-
179	2 610 004 925	Screw	4	-,-	2	14
186	2 610 993 102	Woodruff Key	3	-,-	1	12
189	2 610 996 948	Rubber Ring	3	-,-	1	11
190	2 610 993 106	Needle bearing	3	-,-	1	22
191	2 610 950 422	Screw	2	-,-	3	-
192	2 610 015 011	Washer	2	-,-	3	10
193	2 610 950 423	Washer	2	-,-	3	-
194	2 610 950 424	Retaining Pin	1	-,-	4	-
195	2 610 919 060	Shoulder Screw	2	-,-	1	11
196	2 610 919 061	Compression Spring	2	-,-	2	10
197	2 610 950 425	Screw	2	-,-	1	-
198	2 610 950 426	Screw	2	-,-	1	-
201	2 610 919 065	Screwdriver Bit	1	-,-	1	14
203	2 610 950 427	Set screw	1	-,-	1	10
204	2 610 908 268	Screw	3	-,-	4	11
207	2 610 950 428	Screw	1	-,-	1	-
208	2 610 919 070	Shoulder Screw	2	-,-	1	11
209	2 610 950 453	Washer	1	-,-	1	10
210	2 610 950 429	Screw	3	-,-	4	-
211	2 610 919 072	Brake Plate	1	-,-	1	13
212	2 610 919 073	Brake Plate	1	-,-	1	21
214	2 615 297 331	Nut	1	-,-	1	11
216	2 610 950 430	Shoulder Screw	4	-,-	1	-
217	2 610 950 431	Shoulder Screw	4	-,-	1	-
218	2 610 327 867	Screw	4	-,-	3	10
219	2 610 953 064	Shoulder Screw	1	-,-	4	-
220	2 610 950 432	Screw	1	-,-	1	-
221	2 610 953 065	Shoulder Screw	3	-,-	6	-
222	2 610 953 703	Set screw	1	-,-	1	-
224	2 610 911 564	Spring	3	-,-	1	10
225	2 610 911 902	Clip	3	-,-	1	10
227	2 610 934 688	Nut	1	-,-	4	13
228	2 610 953 066	Shoulder Screw	3	-,-	4	-
229	2 610 911 569	Insert	3	-,-	2	13
232	2 610 911 929	Screw	3	-,-	2	10
233	2 610 911 450	Washer	1	-,-	2	11
234	2 610 955 552	Axial Retainer	3	-,-	1	-
235	2 610 950 433	Screw	3	-,-	2	-
236	2 610 953 067	Flange Bushing	4	-,-	1	-
237	2 610 953 068	Plain Washer	4	-,-	1	10
239	2 610 919 085	Compression Spring	3	-,-	1	10
242	2 610 956 458	Screw	3	-,-	3	-
245	2 610 950 434	Screw	1	-,-	2	-
254	2 610 911 658	Warning Plate	2	-,-	2	15
266	2 610 910 791	Nut	1	-,-	1	15
267	2 610 910 792	Washer	1	-,-	2	10
268	2 610 004 578	Plain Washer	1	-,-	1	-
269	2 610 950 436	Clamping Jaw	1	-,-	1	-
270	2 610 950 437	Clamping Jaw	1	-,-	1	-
271	2 610 950 438	Compression Spring	1	-,-	1	-
272	2 610 950 439	Screw	1	-,-	4	10

Item	Part Number	Description	Illustration	Price	Quantity	Price Group
273	2 610 950 440	Screw	1	-,-	2	-
274	2 610 950 441	Cover Plate	1	-,-	1	-
275	2 610 950 442	Supporting Bar	1	-,-	1	-
276	2 610 950 443	Set screw	1	-,-	1	-
277	2 610 950 444	Wear Plate	1	-,-	1	-
278	2 610 950 445	Compression Spring	1	-,-	1	-
279	2 610 950 446	Locking Lever	1	-,-	1	-
280	2 610 950 447	Spring Plate	1	-,-	1	-
281	2 610 950 448	Conical helical spring	1	-,-	1	-
282	2 610 950 449	Detent screw	1	-,-	1	-
283	2 610 950 450	Bolt	1	-,-	1	-
284	2 610 950 451	Bolt	1	-,-	2	-
287	2 610 950 452	Shoulder Screw	1	-,-	1	-
291	2 610 919 282	Plain Washer	1	-,-	1	10
292	2 610 919 281	Washer	1	-,-	4	15
296	2 610 921 459	Nut	1	-,-	1	10
298	2 610 919 572	Bushing	1	-,-	2	10
302	2 610 921 467	Spacer	1	-,-	3	10
303	2 610 910 013	Washer	1	-,-	1	12
304	2 610 950 454	Screw and washer assembly	3	-,-	2	-
305	2 610 953 704	Label	1	-,-	1	-
306	2 610 953 705	Label	1	-,-	1	-
307	2 610 950 411	Wire	3	-,-	1	-
308	2 610 955 555	Rubber Collar	3	-,-	1	-
309	2 610 955 232	Clamp	1	-,-	1	-
310	2 610 924 959	Washer	3	-,-	2	-
311	2 610 956 459	Foam Rubber	3	-,-	2	-
650	2 610 950 455	Adjustable screw clamp	2	-,-	1	-
651	2 610 006 436	Dust Bag	4	-,-	1	-
652	2 610 919 280	Suction Tube	4	-,-	1	17

Illustration - Type E

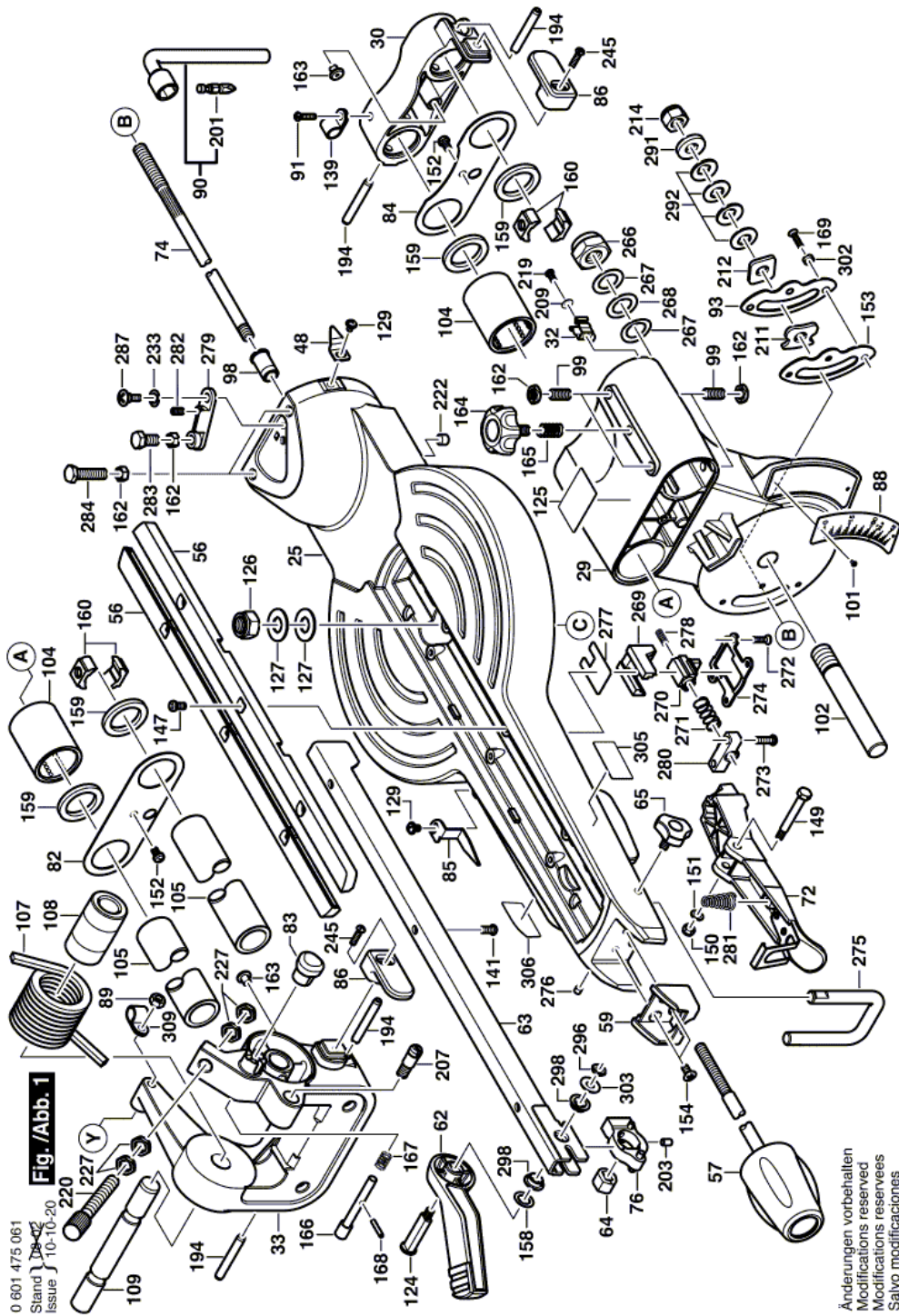
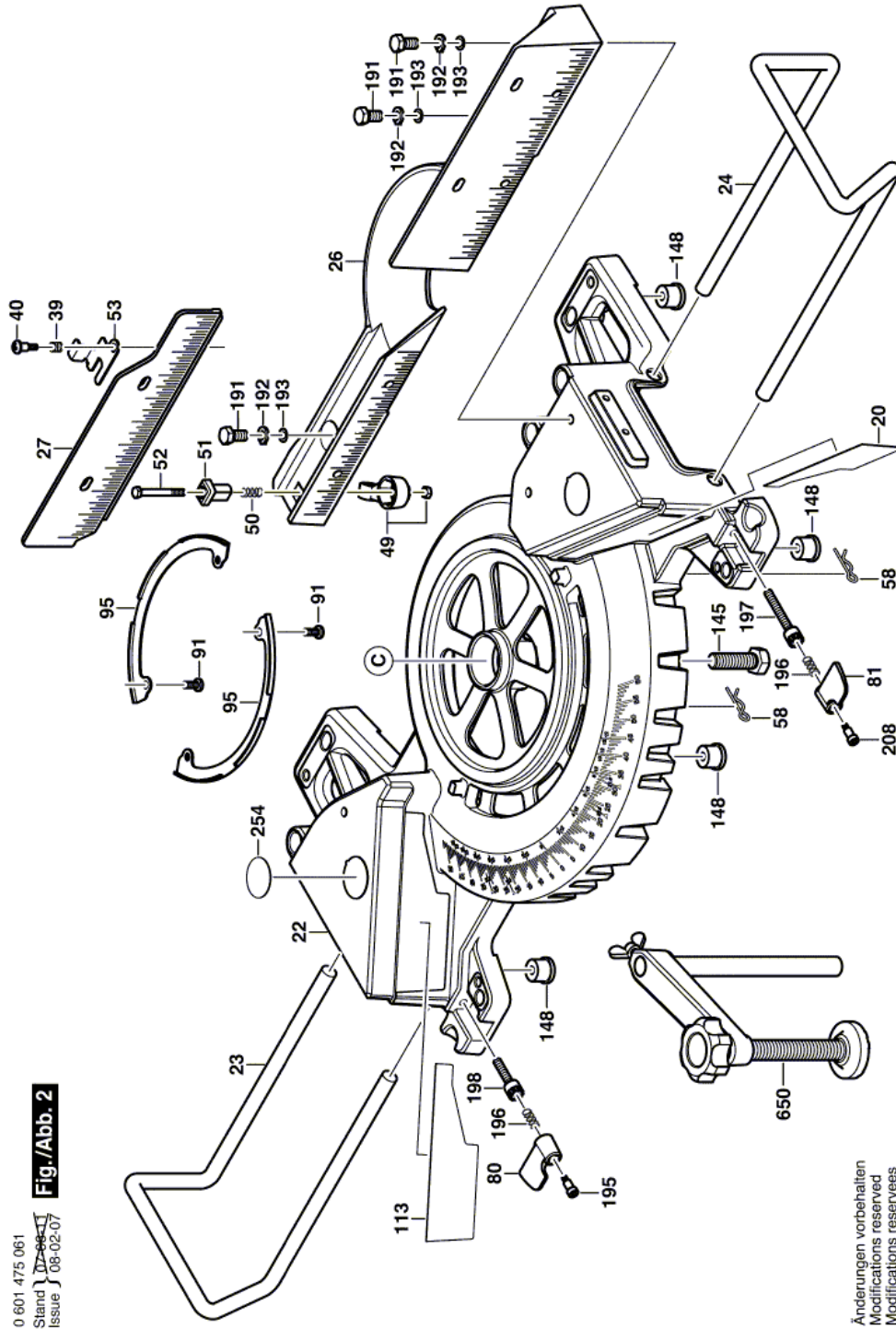


Illustration - Type E



0 601 475 061  
Stand 06-02-07  
Issue 06-02-07  
**Fig./Abb. 2**



Illustration - Type E

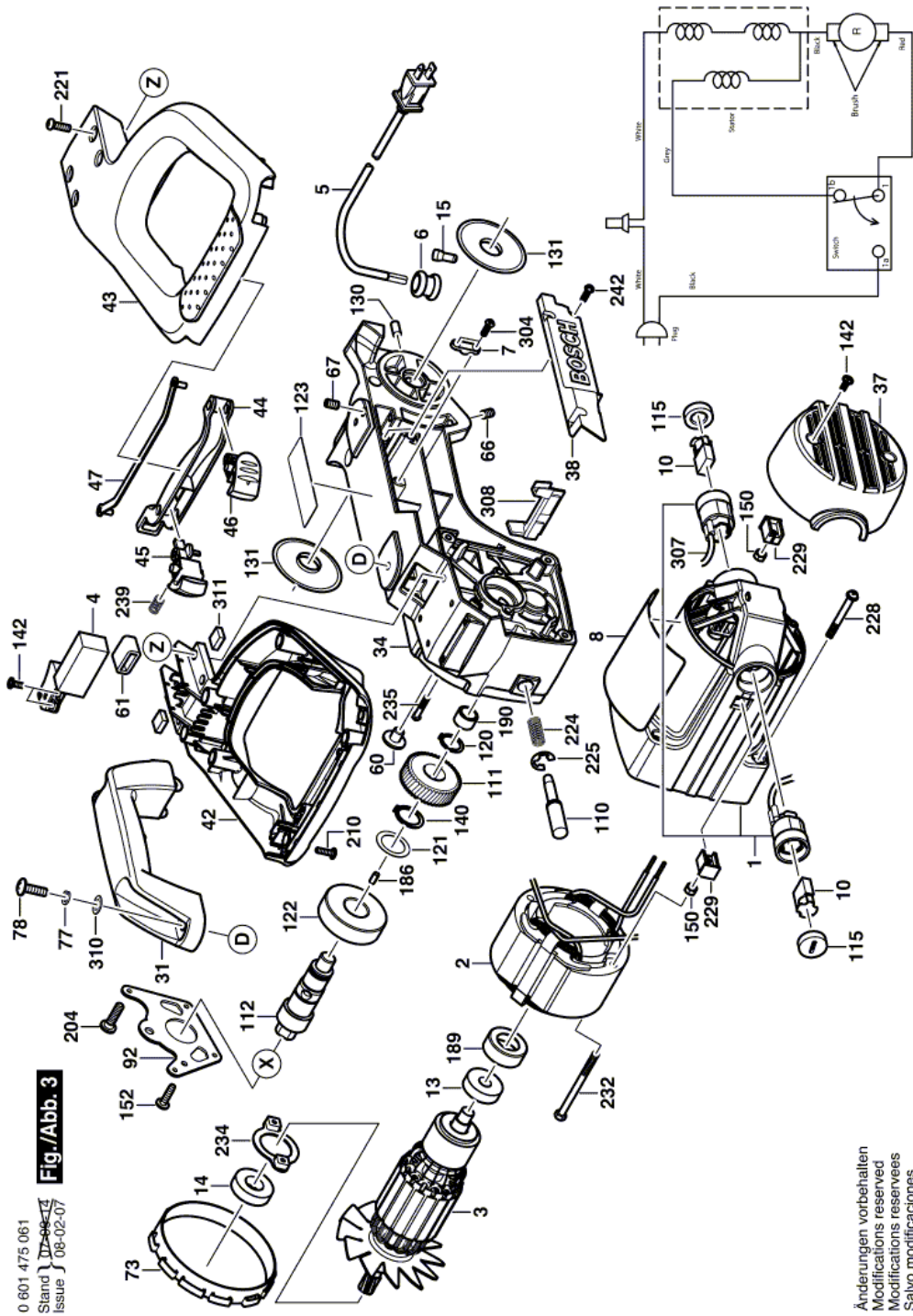
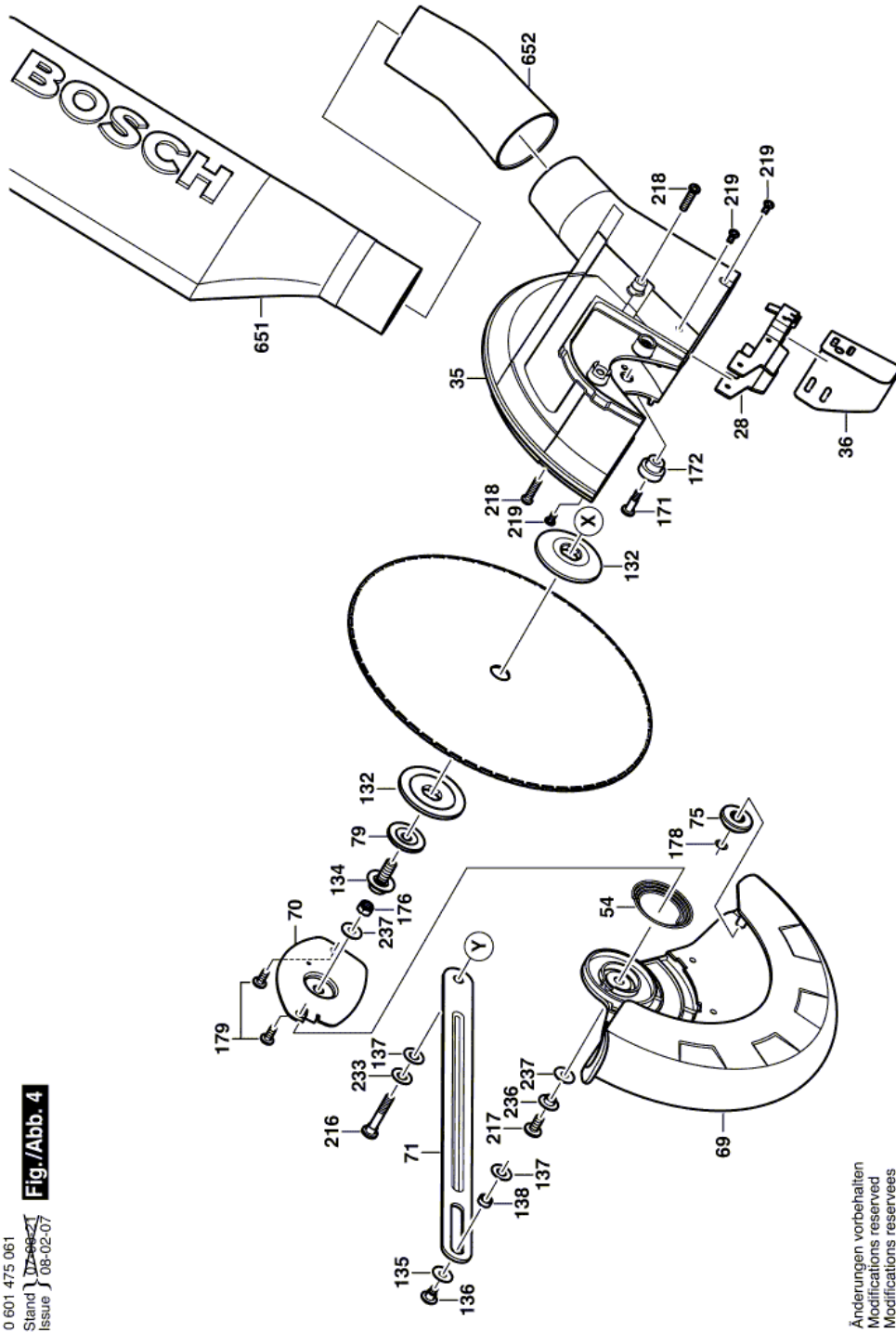




Illustration - Type E



0 601 475 061  
 Stand } ~~08-02-07~~  
 Issue } **Fig./Abb. 4**

Änderungen vorbehalten  
 Modifications reserved  
 Modifications reserves  
 Salvo modificaciones

Information subject to change without further notice.