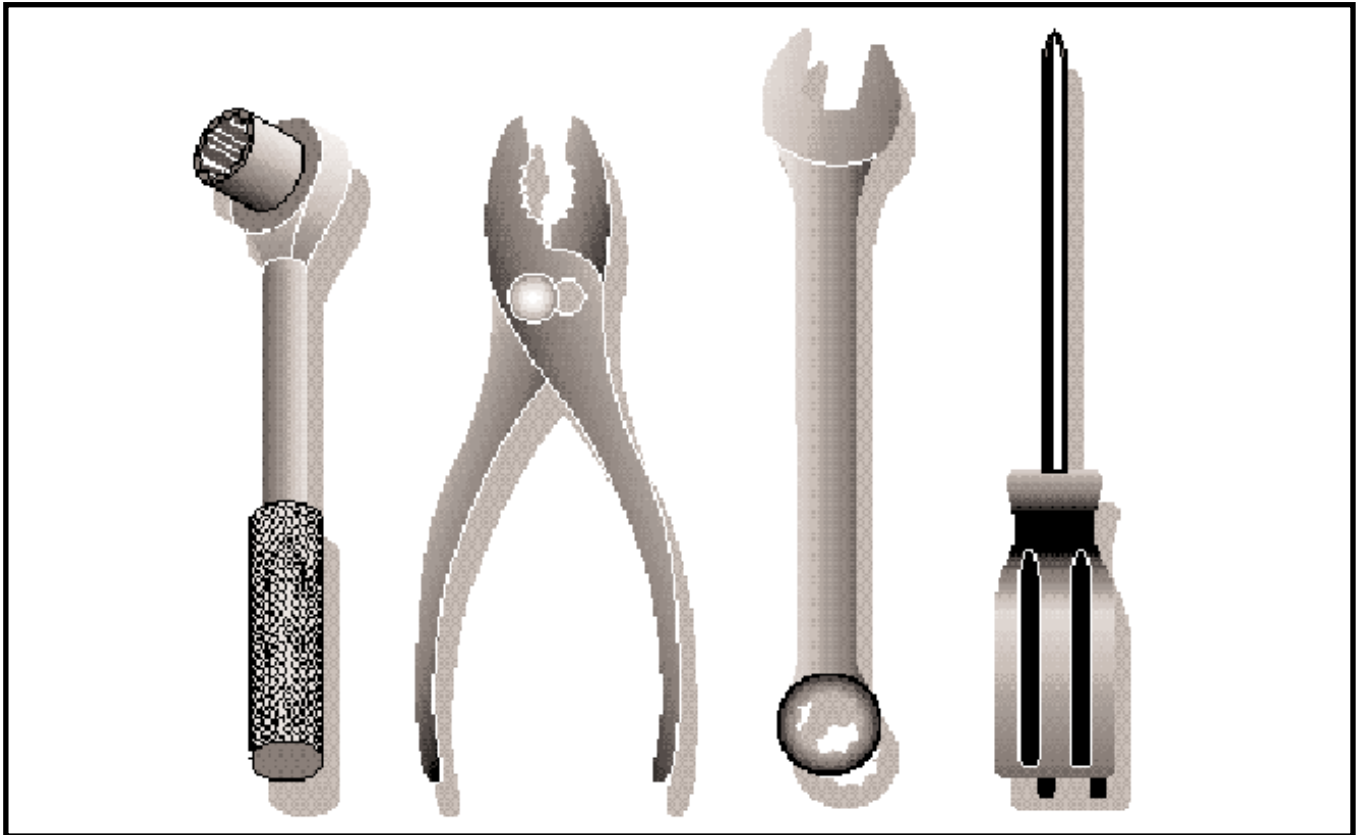


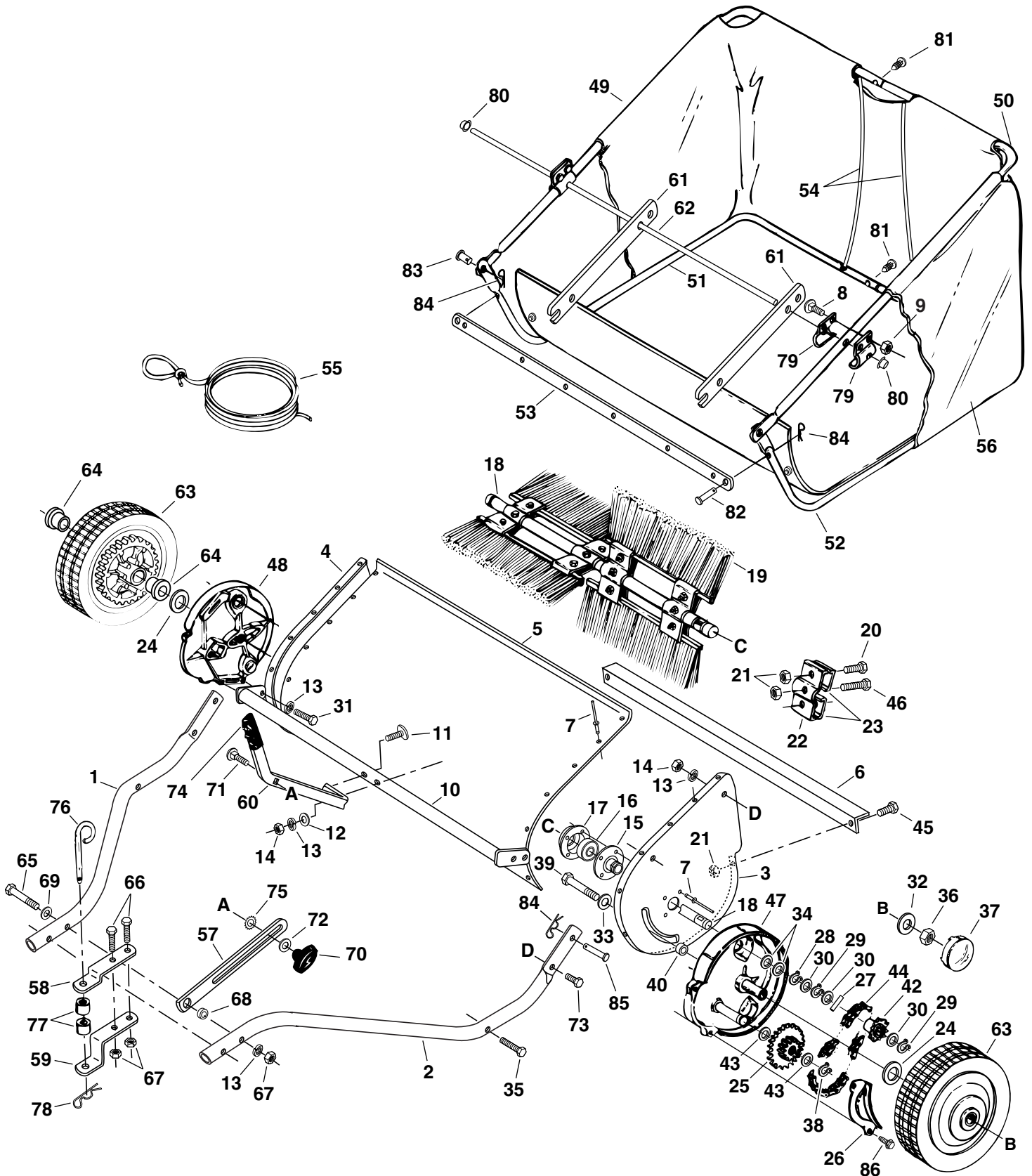
32 Inch & 38 Inch

## Lawn Sweeper (45-02092, 45-01972)



# PARTS

REPAIR PARTS FOR MODELS 45-02092 (32") & 45-01972 (38") - HIGH PERFORMANCE LAWSWEEPERS



**REPAIR PARTS FOR MODELS 45-02092 (32") & 45-01972 (38") - HIGH PERFORMANCE LAWSWEEPERS**

Ref. No.	Part No.	Qty.		Description	Ref. No.	Part No.	Qty.		Description
		32"	38"				32"	38"	
1	47380	1	-	Hitch Tube, R.H.	44	44542	2	2	Chain, Roller
	47370	-	1	Hitch Tube, R.H.	45	43175	2	2	Bolt, Hex 1/4-20 x 1/2" Lg.
2	47379	1	-	Hitch Tube, L.H.	46	43661	4	4	Bolt, Hex 1/4-20 x 1" Lg.
	47371	-	1	Hitch Tube, L.H.	47	62791	1	1	Housing, Wheel Drive Ass'y. L.H.
3	24195	1	1	End Plate, L.H.	48	62792	1	1	Housing, Wheel Drive Ass'y. R.H.
4	24196	1	1	End Plate, R.H.	49	44310	1	-	Tube, Upper Hopper Frame R.H.
5	24488	1	-	Wrapper		43966	-	1	Tube, Upper Hopper Frame R.H.
	24485	-	1	Wrapper	50	44309	1	-	Tube, Upper Hopper Frame L.H.
6	24526	1	-	Brace, Rear Support		43967	-	1	Tube, Upper Hopper Frame L.H.
	23854	-	1	Brace, Rear Support	51	43930	1	-	Tube, Lower Hopper Frame R.H.
7	C-9M5732	20	20	Rivet, Pop		43968	-	1	Tube, Lower Hopper Frame R.H.
8	43080	4	4	Bolt, Carriage 5/16-18 x 3/4"	52	43929	1	-	Tube, Lower Hopper Frame L.H.
9	46980	4	4	Nut, Hex 5/16-18 (SEMS)		43969	-	1	Tube, Lower Hopper Frame L.H.
10	63782	1	-	Height Adjustment Ass'y.	53	23351	1	-	Strap, Bag Frame
	63777	-	1	Height Adjustment Ass'y.		23352	-	1	Strap, Bag Frame
11	44947	2	2	Bolt, Cv. Hd. 5/16-18 x 1-5/8" Lg.	54	43938	2	2	Rod, Hopper Support
12	44695	2	2	Washer, Bowed 1" x .32" x .06"	55	43737	1	1	Hopper Rope
13	43086	12	12	Lock Washer, 5/16"	56	48552	1	-	Hopper Bag, 32"
14	43083	6	6	Nut, Hex 5/16-18 Thread		48553	-	1	Hopper Bag, 38"
15	62489	2	2	Brush Bushing Ass'y.	57	24191	1	1	Strap, Height Adjustment
16	44232	2	2	Ball Bearing	58	23687	1	1	Bracket, Hitch
17	1629-56	2	2	Retainer, Dust Cover	59	23014	1	1	Bracket, Hitch
18	23723	1	-	Brush Shaft, 32"	60	24193	1	1	Handle, Height Adjustment
	23574	-	1	Brush Shaft, 38"	61	24487	2	2	Bag Arm
19	47487	4	-	Brush, 32"	62	47382	1	-	Rod, Hopper Bag Pivot
	47488	-	4	Brush, 38"		47373	-	1	Rod, Hopper Bag Pivot
20	43012	8	8	Bolt, Hex 1/4-20 x 3/4" Lg.	63	44985	2	2	Wheel & Tire Ass'y. (White)
21	43013	14	14	Nut, Hex Lock 1/4-20 Thread	64	45088	4	4	Wheel Bearing
22	23580	4	4	Retainer, Brush (Double)	65	46782	2	2	Bolt, Hex 5/16-18 x 3" Lg.
23	23581	8	8	Retainer, Brush (Single)	66	43224	2	2	Bolt, Hex 5/16-18 x 2-1/4" Lg.
24	44008	2	2	Washer, Flat 1-1/8" x .78" x .025"	67	43064	4	4	Nut, Hex Lock 5/16-18 Thread
25	62490	2	2	Sprocket / Gear	68	46847	1	1	Bushing, Spacer
26	23573	2	2	Dust Cover	69	R19111116	2	2	Washer, Flat 11/32" x 11/16"
27	47046	2	2	Dowel Pin (Drive)	70	43720	1	1	Knob, Wing 5/16-18 Thread
28	43655	2	2	Ring, Retaining 3/4"	71	43080	1	1	Bolt, Carriage 5/16-18 x 3/4" Lg.
29	1650-21	4	4	Ring, Retaining .594"	72	43081	1	1	Washer, Flat 5/16" Std. Wrt.
30	44007	6	6	Washer, Shim 1-1/8" x .594" x .025"	73	43063	2	2	Bolt, Hex 5/16-18 x 1" Lg.
31	43182	4	4	Bolt, Hex 5/16-18 x 3/4" Lg.	74	43943	1	1	Grip, Height Adjust
32	141	2	2	Washer, Flat 1-1/2" x .375" x .062"	75	44732	1	1	Washer, Tooth Lock 5/16"
33	43070	2	2	Washer, 3/8" Std. Wrt.	76	23353	1	1	Pin, Hitch
34	1540-31	4	4	Washer, Flat .78" x 1.25" x .06"	77	23368	2	2	Tube, Hitch Spacer
35	43084	2	2	Bolt, Hex 5/16-18 x 1-3/4" Lg.	78	43343	1	1	Hairpin Cotter, 1/8" #4
36	1038	2	2	Nut, Hex Lock 3/8-24 Thread	79	23331	4	4	Clamp, Hopper Mount
37	2674-32	2	2	Hub Cap	80	44917	2	2	Palnut, 3/8"
38	43894	2	2	Ring, Retaining 1/2"	81	48402	2	2	Plug, 1/4"
39	43932	2	2	Bolt, Hex 3/8-24 x 3-1/2" Lg.	82	48365	2	2	Pin, Clevis 1/4" x 1-1/8" (Special)
40	23400	2	2	Bushing, Spacer	83	48366	2	2	Pin, Clevis 3/8" x 1/2" (Special)
41	43890	1	1	Sprocket, Ratchet R.H. (notshown)	84	43055	6	6	Pin, Hair Cotter 3/32" #3
42	43889	1	1	Sprocket, Ratchet L.H.	85	44044	2	2	Pin, Clevis 3/8" x 3/4" Lg.
43	44137	4	4	Washer, 1/2" x 1" x .02"	86	49102	4	4	Screw, #12 x 1/2" Hex Head
						48554	1	1	Owners Manual



**Please do not return this product to the Store**

**For Missing Parts Or Questions on How to Assemble:**

1. Call Agri-Fab at 1-800-448-9282 Option # 1  
Monday through Friday, 7 am to 5 pm CST
2. Fax Agri-Fab at 217-728-2032 or email [info@agri-fab.com](mailto:info@agri-fab.com)

*Missing part shipments are normally shipped from the Agri-Fab factory within 24 hours zip code 61951. 1 to 5 days delivery for UPS.*

**For Replacement and/or Repair Parts:**

1. Call Agri-Fab at 1-800-448-9282 Option # 1  
Monday through Friday, 7 am to 5 pm CST
2. Visit Agri-Fab's website at <http://www.agri-fab.com> and view illustrated parts breakdowns and parts listing and purchase parts via our <http://www.speedepart.com> site online.