

OPERATING INSTRUCTIONS AND PARTS LIST FOR

CATALOG NUMBER
4552



MILWAUKEE ELECTRIC TOOL CORP.

AC ALTERNATOR

DEPENDABLE POWER

WHEN ORDERING REPAIR PARTS, ALWAYS GIVE THE FOLLOWING
INFORMATION AS SHOWN IN THIS LIST:

- | | |
|---------------------------------|------------------------------------|
| 1. M.E.T.CO. PART NUMBER | 3. M.E.T.CO. CAT. NO. 4552 |
| 2. The PART NAME | 4. The NAME of Item: AC ALTERNATOR |
| 5. STARTING SERIAL NO. 507-1001 | |

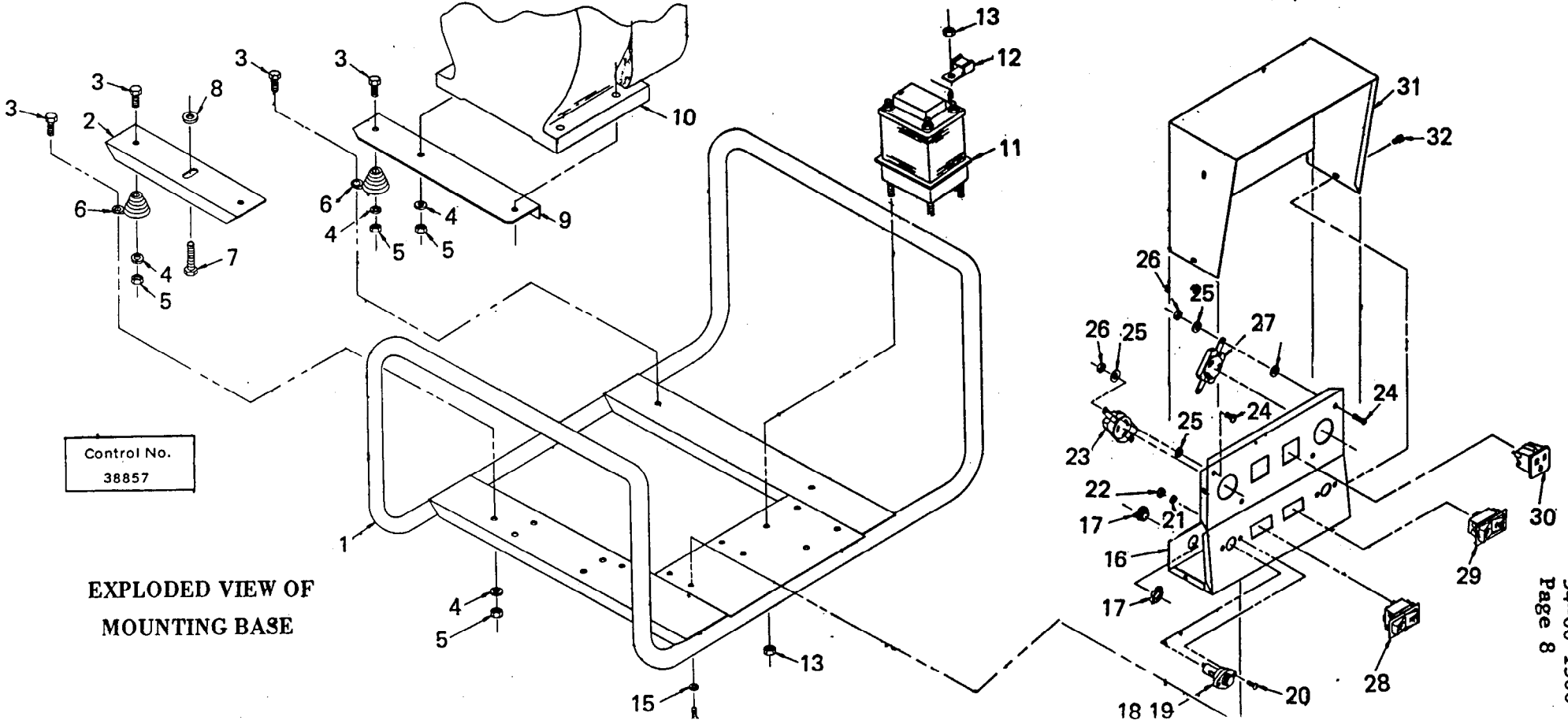
**MILWAUKEE ELECTRIC TOOL CORPORATION
13135 WEST LISBON ROAD
BROOKFIELD, WISCONSIN 53005**



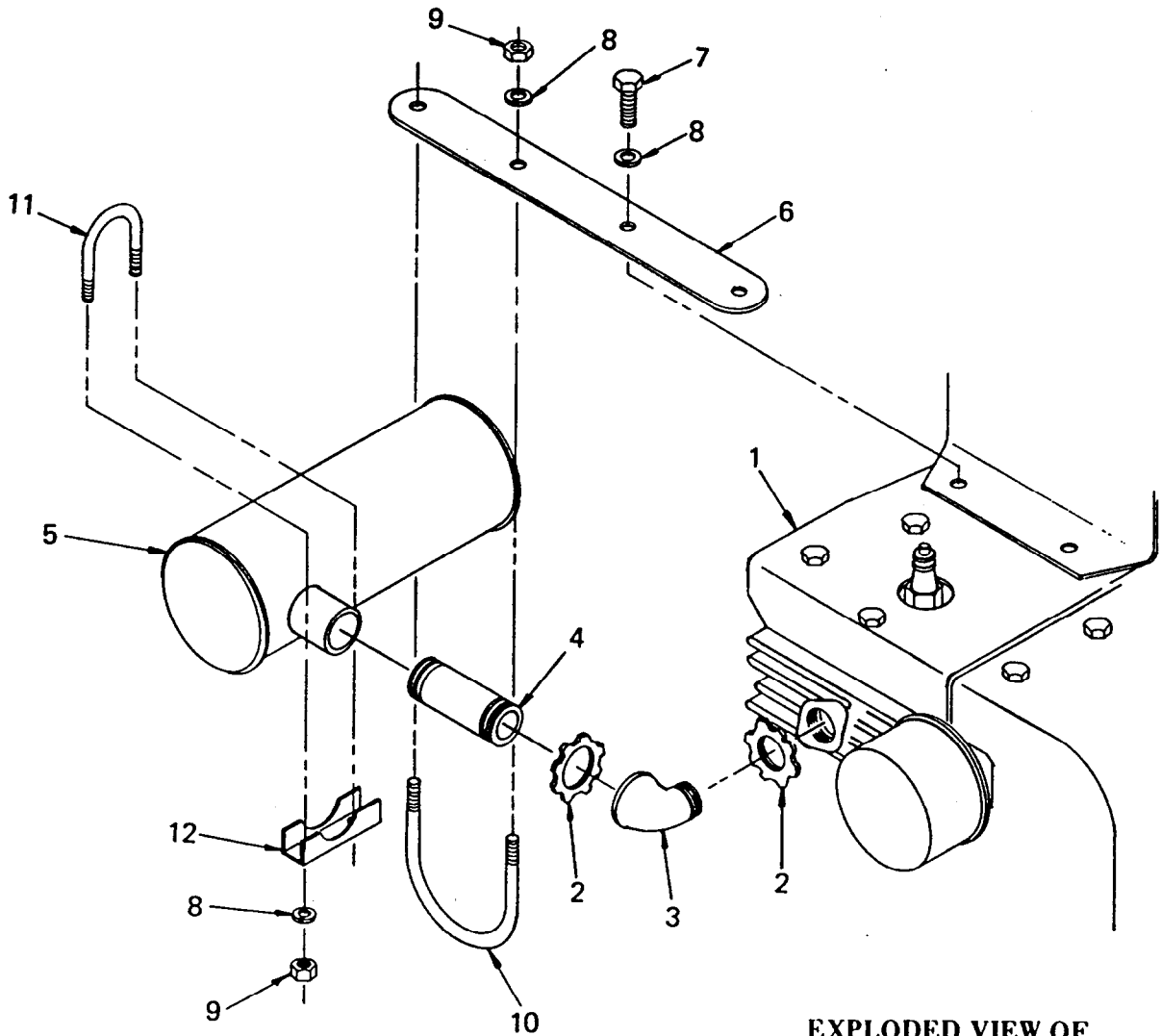
Printed in USA-100

IMPORTANT . . . SAVE THIS FOR FUTURE REFERENCE

No.	Part No.	Req'd	Description	Item	Part No.	Req'd	Description
1	42-20-0435	1	Mounting Base	17	22-56-0060	2	3/8" Straight Connector
2	42-36-0895	1	Alternator Support	18	23-04-0060	2	Fuse Holder
3	06-75-3975	8	5/16-18 x 1" Lg.Hex.Hd.Cpsc.	19	22-89-0060	2	Fuse
4	06-97-4100	9	5/16" Lockwasher	20	06-81-5630	4	8-32 x 1/2" Lg.Phil.Pan Hd.Mach.Sc.
5	06-55-1980	9	5/16 - 18 Hex. Nut	21	06-97-3200	4	No. 8 Lockwasher
6	40-50-6900	4	Spring	22	06-55-0825	4	8-32 Hex. Nut
7	06-81-0035	1	5/16 x 1" Lg. Taptite	23	23-33-0235	1	250 Volt,20 amp.Twist Lock Outlet
8	45-88-5245	1	5/16 Flat Washer	24	06-81-4212	4	10-32 x 1/2" Lg.Phil.Pan Hd.Mach.Sc.
9	42-36-0900	1	Engine Support	25	06-97-0870	4	No. 10 Ext.Tooth Shakeproof
10	43-20-1510	1	6 H.P. Engine	26	06-55-1100	4	10-32 Hex. Nut
11	23-81-0195	1	Reactor	27	23-33-0240	1	125 Volt, 30 amp,Twist Lock
12	23-74-0480	1	Grounding Terminal	28	23-66-0945	1	3 P.D.T.Rocker Switch
13	06-57-3000	5	10-32 Lokut Hex. Nut	29	23-66-0950	1	Spdt Rocker Switch
14	06-75-0020	4	10-32 x 3/4" Lg.Hex.Hd.Mch.Sc.	30	23-33-0130	2	115 Volt,15 amp.Parallel Blade Outlet
15	06-97-3400	4	No. 10 Lockwasher	31	45-12-0280	1	Panel Shroud
16	23-35-0160	1	Control Panel	32	06-81-0275	4	10-32 x 1/4" Lg.Whiz Sc.
				33	23-33-0245	1	125 Volt,30 amp. Twist Lock Plug
				34	23-33-0250	1	250 Volt,20 amp. Twist Lock Plug



No.	Part No.	Req'd	Description
1	43-20-1510	1	Engine 6 H.P.
2	06-57-7475	2	3/4" Pipe Lock Nut
3	43-33-0455	1	90° - 3/4" Street Elbow
4	43-33-0450	1	3/4 x 4" Pipe Nipple
5	43-31-0255	1	Muffler
6	45-60-0340	1	Muffler Support
7	06-75-0343	2	5/16 - 18 x 2 1/2" Lg.Hex.Head Cpsec.
8	06-97-4100	6	5/16" Lockwasher
9	06-55-1980	4	5/16 - 18 Hex Nut
10	42-68-0310	1	3/4" Dia. "U" Bolt
11	42-68-0295	1	"U" Bolt 1 1/4"
12	42-68-0300	1	Saddle 1 1/4"



**EXPLODED VIEW OF
EXHAUST SYSTEM**

Control No.
38856