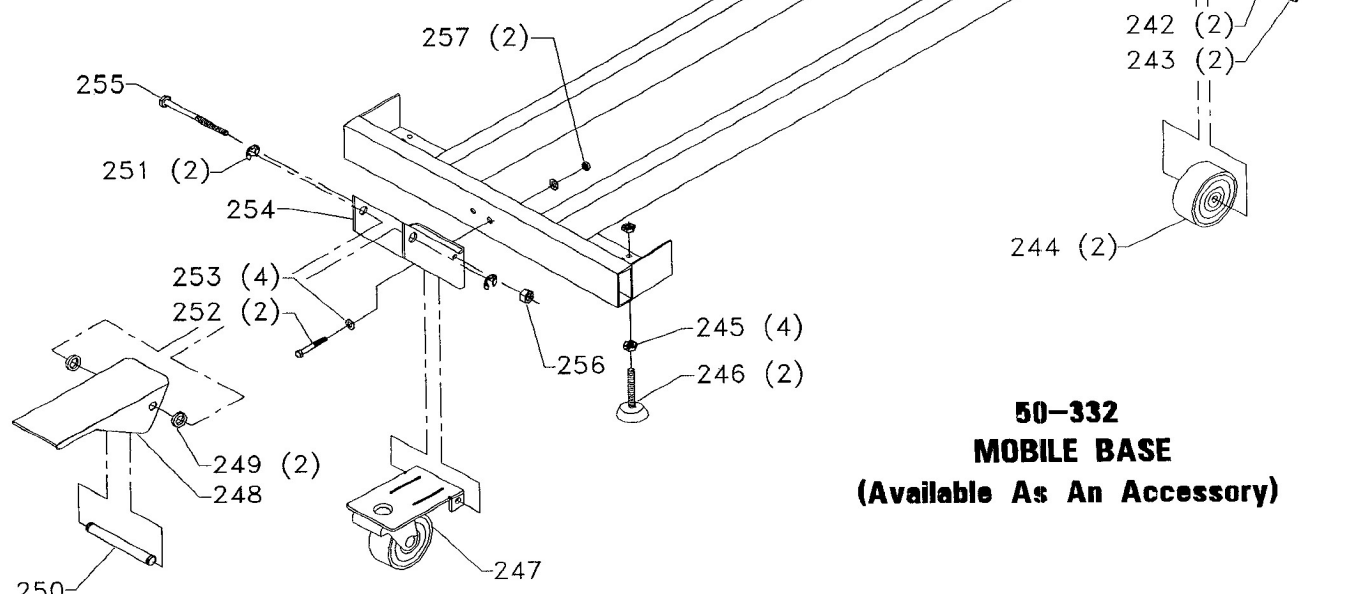


**46-705
STAND**



**50-332
MOBILE BASE
(Available As An Accessory)**