

OPERATING INSTRUCTIONS AND PARTS LIST FOR

CATALOG NUMBER
4642



MILWAUKEE ELECTRIC TOOL CORP.

AC ALTERNATOR

DEPENDABLE POWER

WHEN ORDERING REPAIR PARTS, ALWAYS GIVE THE FOLLOWING
INFORMATION AS SHOWN IN THIS LIST:

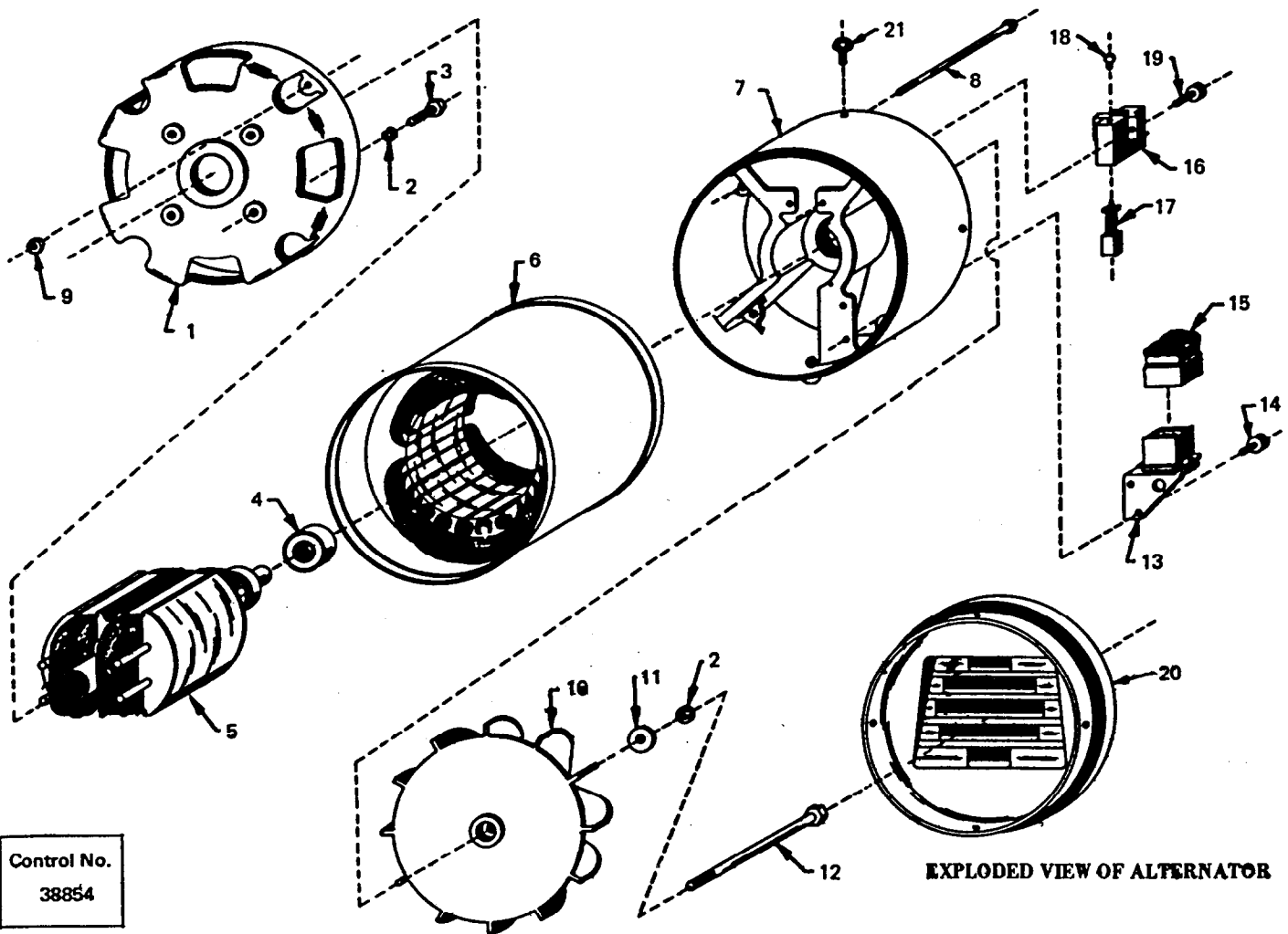
- | | |
|---------------------------------|------------------------------------|
| 1. M.E.T.CO. PART NUMBER | 3. M.E.T.CO. CAT. NO. 4642 |
| 2. The PART NAME | 4. The NAME of Item: AC ALTERNATOR |
| 5. STARTING SERIAL NO. 509-1001 | |

**MILWAUKEE ELECTRIC TOOL CORPORATION
13135 WEST LISBON ROAD
BROOKFIELD, WISCONSIN 53005**



Printed in USA-100

IMPORTANT . . . SAVE THIS FOR FUTURE REFERENCE

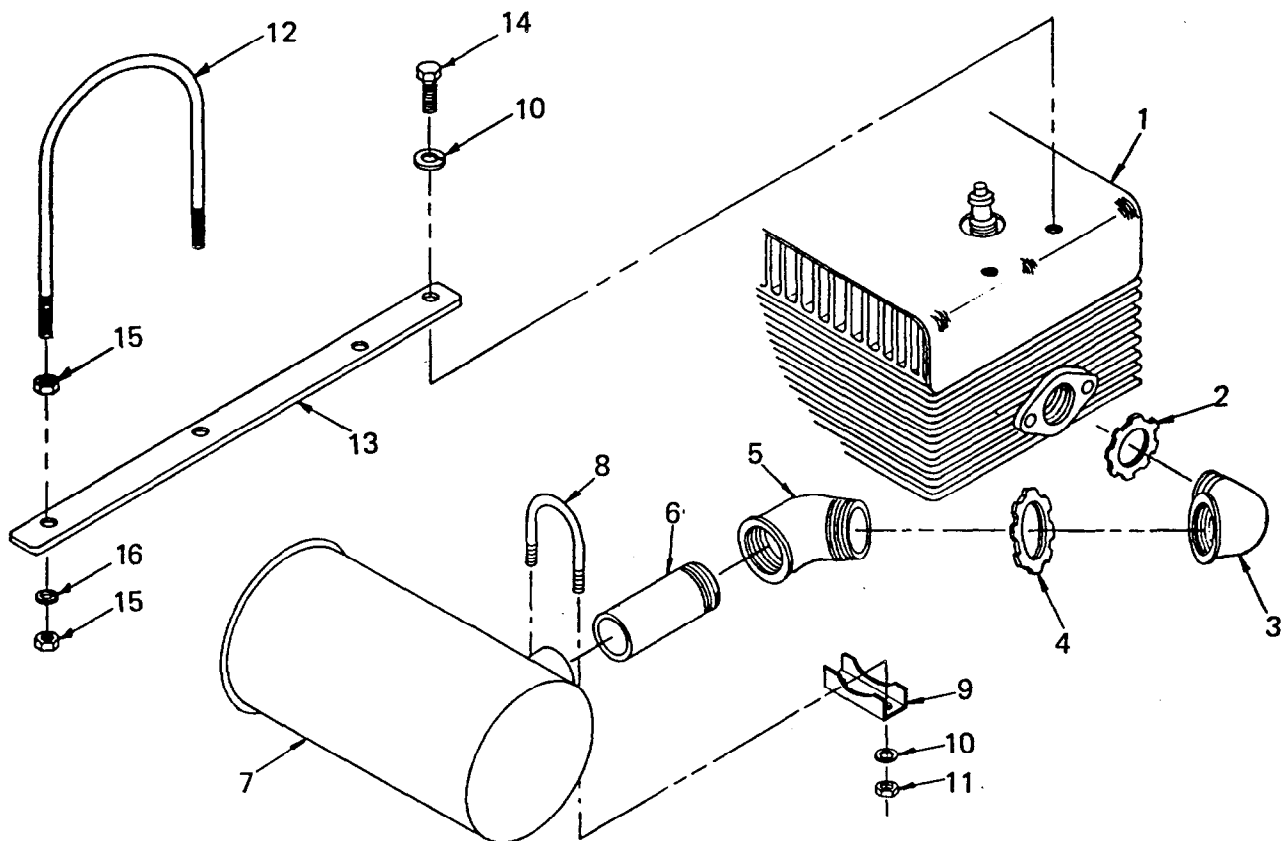


Control No.
38854

EXPLODED VIEW OF ALTERNATOR

Item	Part No.	Req'd	Description
1	42-04-0460	1	Adaptor Casting
2	06-97-4100	5	5/16" Lockwasher
3	06-75-0349	4	Hex. Hd. Cpsec.
4	02-04-1545	1	Bearing
5	23-40-0395	1	Rotor Assembly
6	23-58-0475	1	Stator Assembly
7	43-76-0171	1	Rear Bearing Carrier
8	06-75-0070	4	Stator Bolt
9	06-57-3000	4	Lokut Hex. Nut
10	22-84-0400	1	Fan
11	45-88-5245	2	Wrought Flash Washer
12	06-75-1225	1	Rotor Bolt
13	45-60-0300	1	Rectifier Support Assembly
14	06-81-0030	2	No. 10-3/8" Lg. Taptite
15	23-38-2560	1	Rectifier Assembly
16	22-20-0220	1	Brush Holder
17	22-18-0340	2	Brush Assembly
18	06-81-8650	2	Sims Scr. No. 6-32 x 1/4" Lg.
19	06-81-3640	2	No. 8 x 5/8" Lg. Taptite
20	42-92-0340	1	Fan Cover
21	06-75-2400	3	No. 10 x 1/2" Lg. Taptite

Item	Part No.	Req'd	Description
1	43-20-2010	1	8H.P. Engine
2	06-57-7475	1	3/4" Pipe Lock Nut
3	43-33-0265	1	90° Reducing Street Elbow 3/4 to 1"
4	06-57-7480	1	Pipe Lock Nut
5	43-33-272	1	45° Street Elbow
6	43-33-0268	1	1 x 6" Pipe Nipple
7	43-31-0260	1	Muffler
8	42-68-0315	1	"U" Bolt
9	42-68-0320	1	Saddle
10	06-97-4100	4	5/16" Lockwasher
11	06-55-1980	3	5/16" - 18 Hex. Nut
12	42-68-0340	1	"U" Bolt
13	45-60-0357	1	Muffle Support Bracket
14	06-75-0340	2	5/16 - 18 x 1" Hex. Hd. Cpse
15	06-55-2400	4	3/8" Hex. Nut
16	06-97-4125	2	3/8" Lockwasher



Control No.
40227

EXPLODED VIEW OF
EXHAUST SYSTEM

