



SERVICE PARTS LIST

BUL. 54-00-2501

3000 WATT ALTERNATOR

REVISED BUL.
54-00-2500

DATE
Aug. '77

Catalog No. 4650

Starting
Serial No. 483135

WIRING INSTRUCTIONS

Specify Catalog and Serial No. when ordering parts

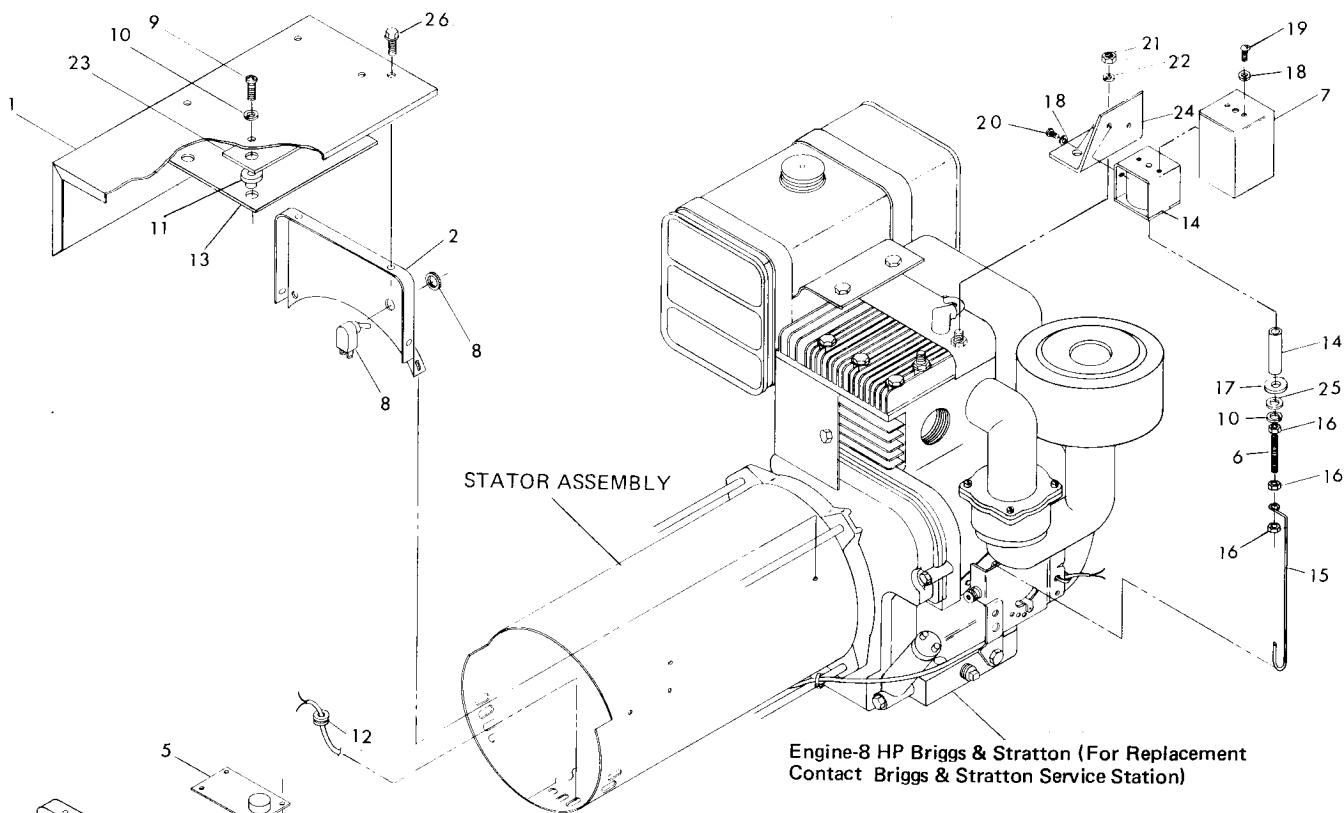


FIG.	PART NO.	DESCRIPTION OF PART	NO. REQ.
1	44-66-0960	Panel Shroud	(1)
2	44-66-0740	Panel Shroud Back	(1)
3	42-86-0110	Snap Connector	(4)
4	42-36-0730	Circuit Board Bracket	(1)
5	22-09-0220	Circuit Board	(1)
6	06-92-0320	10-32x1-1/2 Stud	(1)
7	42-92-0450	Solenoid Cover	(1)
8	23-66-1115	Idle Control Switch	(1)
9	06-81-0490	10-32x7/8 Phillips Pan Hd. Sc.	(4)
10	06-97-3400	No. 10 Lockwasher	(6)
11	06-59-0100	10-32 Well Nut	(4)
12	22-90-0030	Rubber Grommet	(1)
13	23-35-0210	Heat Sink with Diodes	(1)
14	23-84-0060	Solenoid	(1)
15	44-14-0080	Idle Control Link 8.37" Lg.	(1)
	44-14-0081	Idle Control Link 8.69" Lg.	(1)
16	06-55-1100	10-32 Hex Nut	(3)
17	45-88-7160	No. 10 Nylon Washer	(1)
18	06-97-3200	No. 8 Lockwasher	(4)
19	06-81-4565	8-32x1/4 Rd. Hd. Mach. Sc.	(2)
20	06-81-4566	8-32x3/8 Rd. Hd. Mach. Sc.	(2)
21	06-55-1980	5/16-18 Hex Nut	(2)
22	06-97-4100	5/16 Lockwasher	(2)
23	23-16-0810	Insulator	(1)
24	42-36-0740	Solenoid Mounting Bracket	(1)
25	45-88-7195	No. 10 Flat Washer	(1)
26	06-81-0030	10-32x3/8 Taptite Screw	(10)
27	06-81-0275	10-32x1/4 Whiz Screw	(2)
28	23-37-0090	Voltage Regulator	(1)
29	44-55-0680	End Panel	(1)

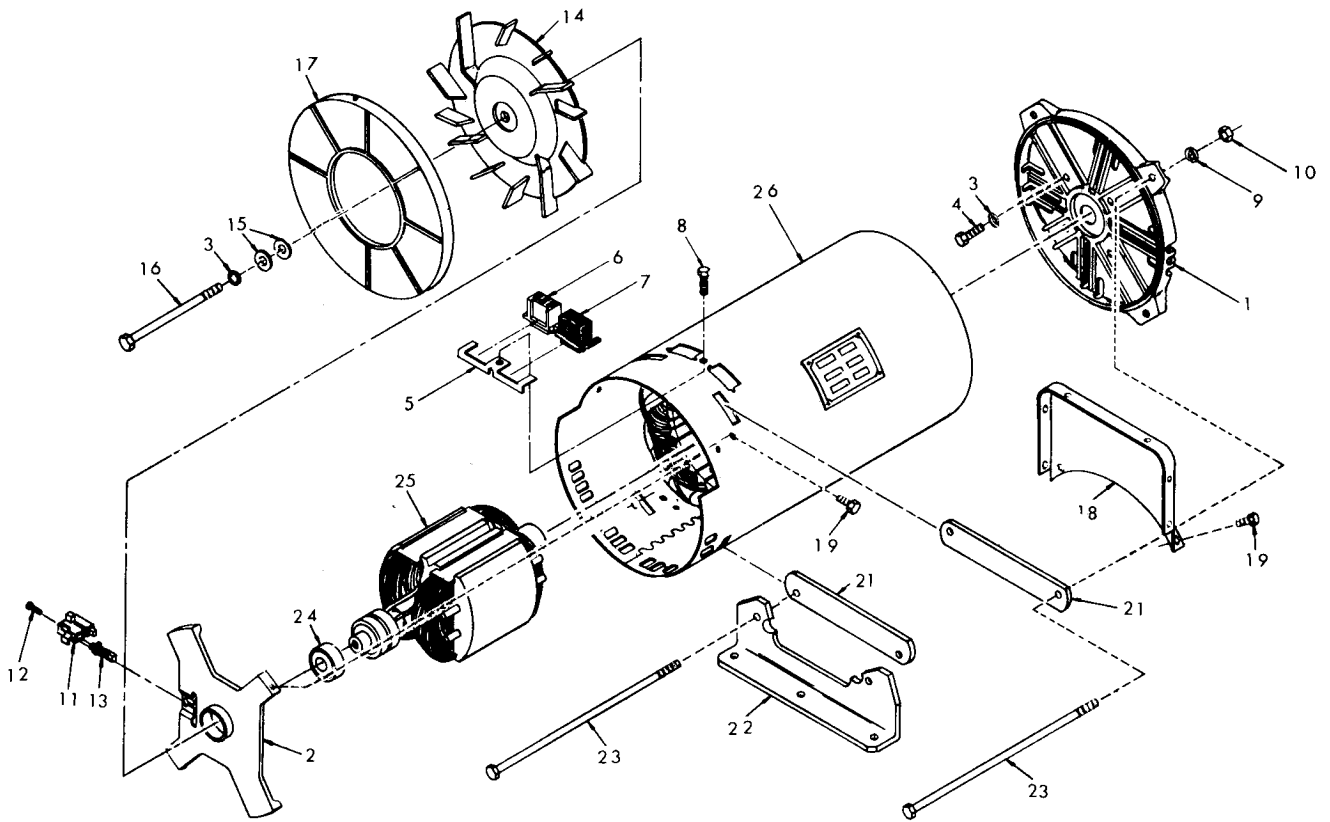


FIG.	PART NO.	DESCRIPTION OF PART	NO. REQ.
1	42-04-0560	Adapter Housing	(1)
2	44-66-0670	Rear Bearing Carrier	(1)
3	06-97-4100	Lockwasher-5/16"	(5)
4	06-75-0349	5/16-24x3/4" Hex. Hd. Capscrew	(4)
5	44-86-0310	Red and White Receptacle Retainer	(1)
6	23-33-0140	White Receptacle	(1)
7	23-33-0145	Red Receptacle	(1)
8	06-75-2400	10-32x1/2" Taptite Screw	(1)
9	06-97-1000	Lockwasher-1/4"	(4)
10	06-55-1500	1/4-20 Hex. Nut	(4)
11	22-20-0220	Brush Holder	(1)
12	06-81-8650	6-32x1/4 Screw	(2)
13	22-18-0340	Brush Assembly	(2)
14	22-84-0580	Fan-Plastic	(1)
15	45-88-7216	Flat Washer-5/16"	(2)
16	06-75-1225	Rotor Bolt	(1)
17	22-68-0150	Fan Cover	(1)
18	42-92-0740	Panel Shroud Back	(1)
19	06-81-0030	10-32x.37" Taptite Screw	(7)
21	42-18-0220	Stator Bolt Bar	(2)
22	45-60-0410	Rear Alternator Support	(1)
23	06-75-0280	Stator Bolt-11.87" Long	(4)
24	02-04-1545	Rotor Bearing	(1)
25	23-40-0460	Rotor Assembly-3000 Watt	(1)
26	23-58-0550	Stator Assembly-3000 Watt	(1)

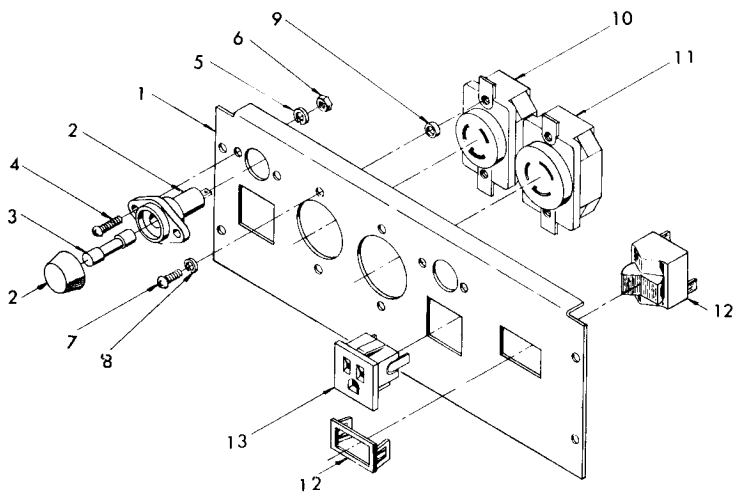


FIG.	PART NO.	DESCRIPTION OF PART	NO. REQ.
	1	23-35-0180 Control Panel	(1)
	2	23-04-0060 Fuse Holder	(2)
	3	22-89-0065 Fuse-15 Amp	(2)
	4	06-81-5630 8-32x1/2" Machine Screw	(4)
	5	06-97-3200 Lockwasher No. 8	(4)
	6	06-55-0825 8-32 Hex. Nut	(4)
	7	06-81-4200 6-32x.37" Lg. Machine Screw	(4)
	8	06-97-3175 Lockwasher No. 6	(4)
	9	45-88-0760 Nylon Washer	(4)
	10	23-33-0310 Outlet-240V. 20 Amp. 3 Prong	(1)
	11	23-33-0240 Outlet-120V. 30 Amp. 3 Prong	(1)
	12	23-66-1110 Voltage Selector Switch	(1)
	13	23-33-0130 Outlet-120V. 15 Amp. Parallel Blade	(2)

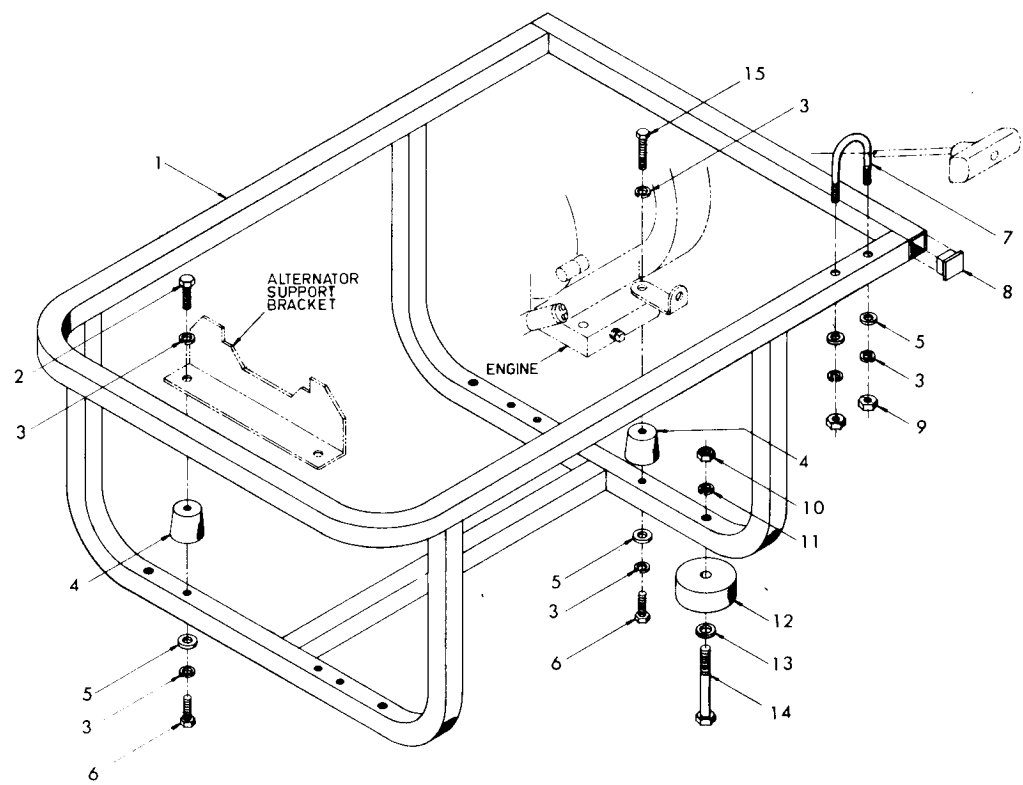


FIG.	PART NO.	DESCRIPTION OF PART	NO. REQ.	FIG.	PART NO.	DESCRIPTION OF PART	NO. REQ.
1	43-40-0150	Cradle Assembly	(1)	8	44-68-0160	Caplug	(2)
2	06-75-0300	5/16-18x3/4" Hex. Hd. Capscrew	(2)	9	06-55-1980	5/16-18 Hex. Nut	(4)
3	06-97-4100	Lockwasher-5/16"	(15)	10	06-55-2400	3/8-16 Hex. Nut	(1)
4	42-38-0150	Vibration Dampener	(4)	11	06-97-4125	Lockwasher-3/8"	(4)
5	45-88-7216	Flat Washer-5/16"	(8)	12	43-33-0300	Vibration Mount	(4)
6	06-75-0341	5/16-18x1-1/2" Hex. Hd. Capscrew	(4)	13	45-88-5245	Flat Washer-3/8"	(4)
7	42-32-0170	Eye Bolt	(1)	14	06-75-0650	3/8-16x2-1/4" Hex. Hd. Capscrew	(4)
	42-68-0295	U-Bolt	(1)	15	06-75-4200	5/16-18x2" Hex. Hd. Capscrew	(2)