



SERVICE PARTS LIST

3000 WATT ALTERNATOR

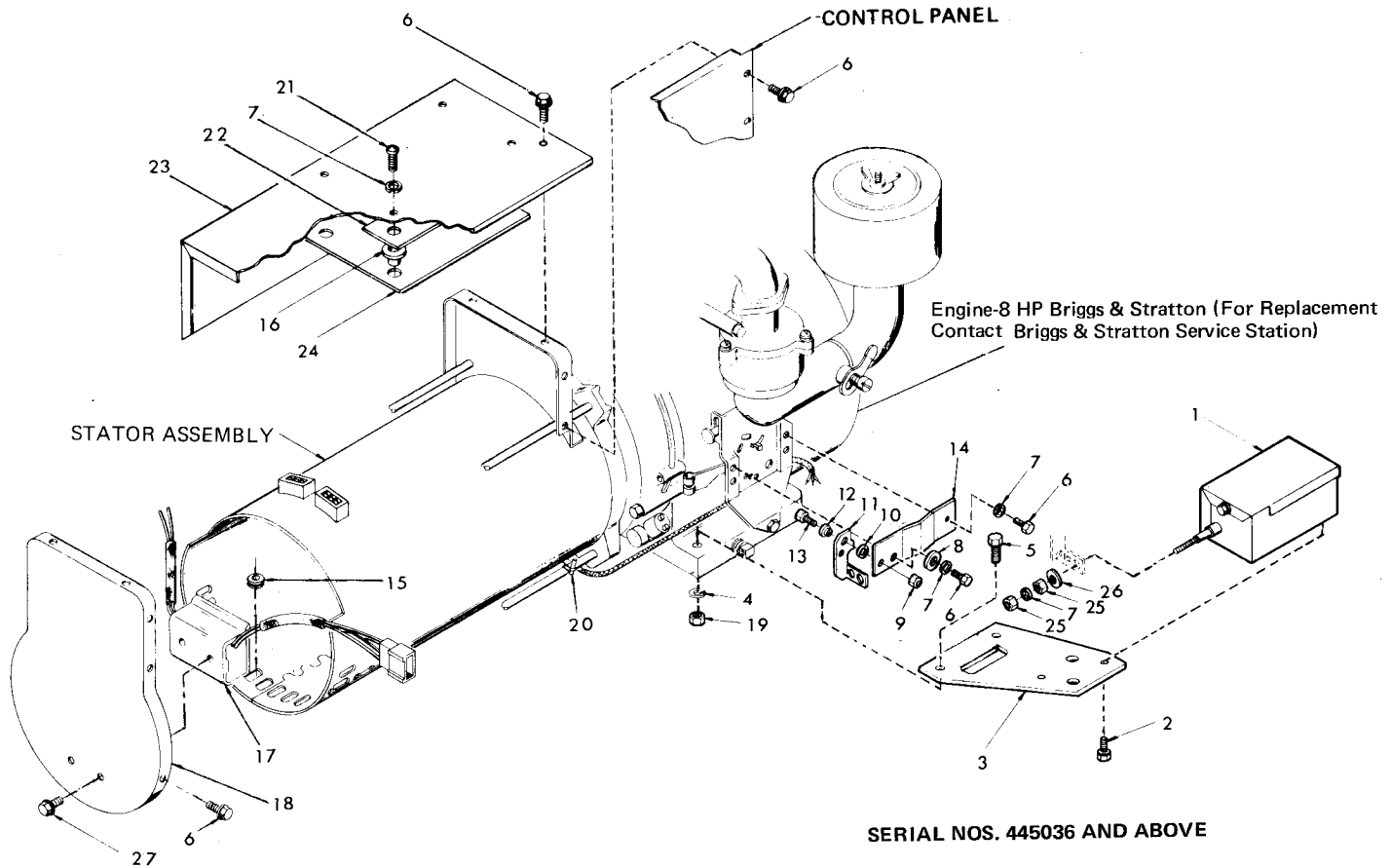
Catalog No. **4650**

Starting
Serial No.

BUL. 54-00-2500

REVISED BUL. DATE
 Oct. '76

WIRING INSTRUCTIONS



SERIAL NOS. 445036 AND ABOVE

FIG.	PART NO.	DESCRIPTION OF PART	NO. REQ.
1	—	Idle Control Assembly	(1)
2	06-75-2400	10-32x1/2" Skt. Hd. Screw	(2)
3	42-36-1030	Idle Control Support	(1)
4	06-97-4100	Lockwasher-5/16"	(2)
5	06-75-0342	5/16-18x1-3/4" Hex. Hd. Capscrew	(2)
6	06-81-0030	10-32x3/8" Taptite Screw	(12)
7	06-97-3400	Lockwasher- 10	(6)
8	45-88-7195	Flatwasher- 10	(1)
9	06-57-5000	1/4-20 Nylock Nut	(1)
10	45-36-0910	Nylon Spacer	(1)
11	42-36-1040	Bell Crank	(1)
12	45-88-0780	Step Washer	(1)
13	06-75-0100	1/4-20x3/4" Hex.	(1)
14	45-60-0430	Bell Crank Support	(1)
15	22-90-0030	Rubber Grommet	(1)
16	06-59-0100	Well Nut	(4)
17	23-37-0090	Voltage Regulator	(1)
18	44-66-0680	End Panel	(1)
19	06-55-1980	5/16-18 Hex. Nut	(2)
20	23-78-0100	Tie Rap	(4)
21	06-81-0490	10-32x7/8" Phillips Pan Hd. Mach. Screw	(4)
22	23-16-0810	Insulating Strip	(1)
23	44-66-0690	Panel Shroud	(1)
24	23-35-0190	Heat Sink Assembly	(1)
25	06-55-1100	10-32 Hex. Nut	(2)
26	45-36-0920	Nylon Spacer	(1)
27	06-81-0275	10-32x1/4" Whiz Screw	(2)

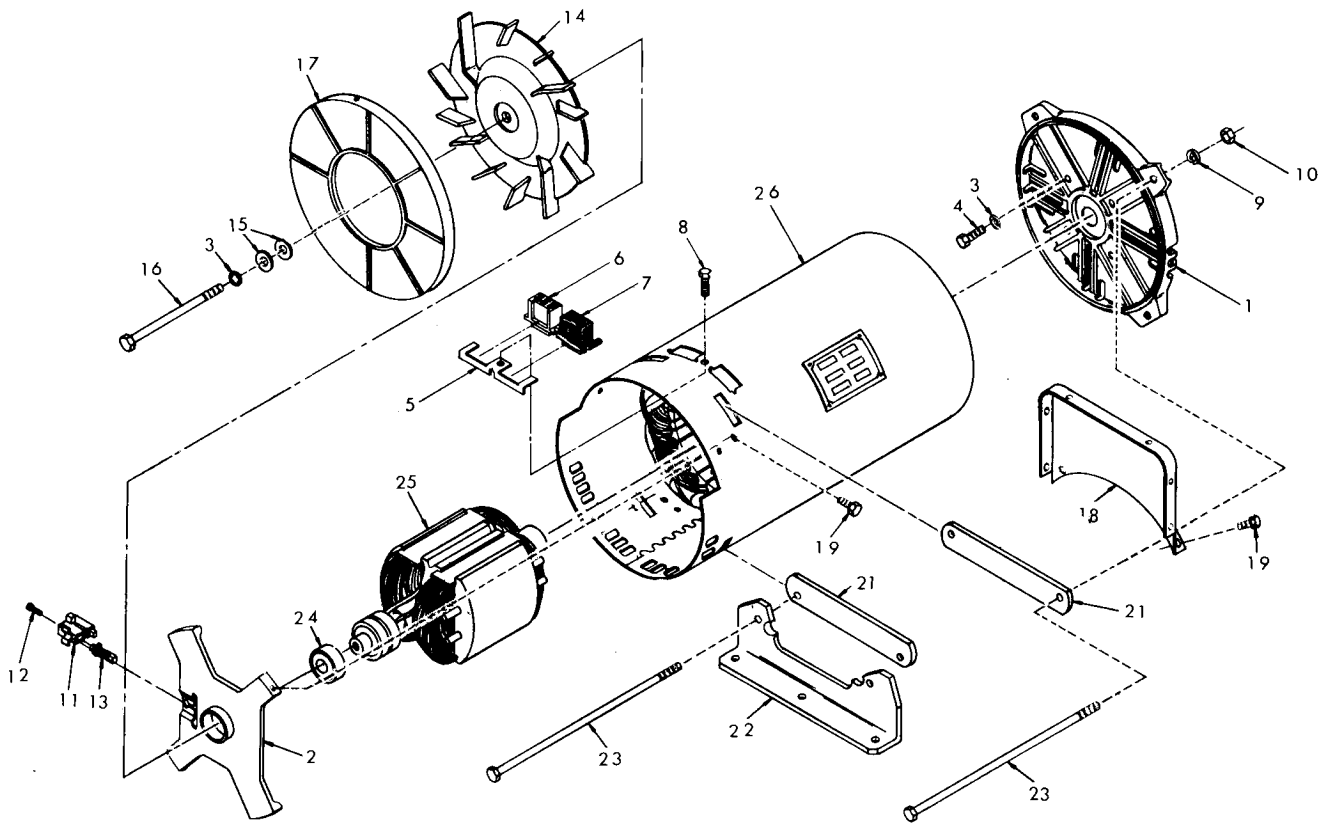


FIG.	PART NO.	DESCRIPTION OF PART	NO. REQ.	FIG.	PART NO.	DESCRIPTION OF PART	NO. REQ.
1	42-04-0560	Adapter Housing	(1)	14	22-84-0580	Fan-Plastic	(1)
2	44-66-0670	Rear Bearing Carrier	(1)	15	45-88-7216	Flat Washer-5/16"	(2)
3	06-97-4100	Lockwasher-5/16"	(5)	16	06-75-1225	Rotor Bolt	(1)
4	06-75-0349	5/16-24x3/4" Hex. Hd. Capscrew	(4)	17	22-68-0150	Fan Cover	(1)
5	44-86-0310	Red and White Receptacle Retainer	(1)	18	42-92-0410	Panel Shroud Back	(1)
6	23-33-0140	White Receptacle	(1)	19	06-81-0030	10-32x.37" Taptite Screw	(7)
7	23-33-0145	Red Receptacle	(1)	20	42-18-0220	Stator Bolt Bar	(2)
8	06-75-2400	10-32x1/2" Taptite Screw	(1)	21	45-60-0410	Rear Alternator Support	(1)
9	06-97-1000	Lockwasher-1/4"	(4)	22	06-75-0280	Stator Bolt-11.87" Long	(4)
10	06-55-1500	1/4-20 Hex. Nut	(4)	23	02-04-1545	Rotor Bearing	(1)
11	22-20-0220	Brush Holder	(1)	24	23-40-0460	Rotor Assembly-3000 Watt	(1)
12	06-81-8650	6-32x1/4 Screw	(2)	25	23-58-0550	Stator Assembly-3000 Watt	(1)
13	22-18-0340	Brush Assembly	(2)				

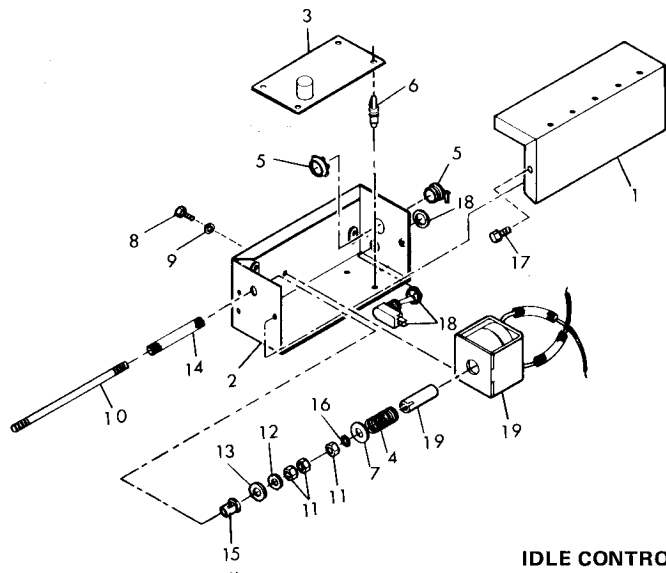


FIG.	PART NO.	DESCRIPTION OF PART	NO. REQ.
1	42-92-0420	Idle Control Cover	(1)
2	14-06-0080	Idle Control Box (Includes Fig. No. 1)	(1)
3	22-09-0210	Circuit Board, Switch, Solenoid (Incl. Fig. Nos. 18 and 19)	(1)
4	40-50-1120	Spring	(1)
5	22-56-0270	Straight Connector-3/8"	(1)
6	42-86-0110	Snap Connector	(4)
7	45-88-0770	Special Flatwasher No. 10	(1)
8	06-75-0017	8-32x3/8" Machine Screw	(2)
9	06-97-3200	Lockwasher No. 10	(2)
10	44-94-0251	Threaded Rod-10-32x3-1/2" Long	(1)
11	06-55-1100	10-32 Hex. Nut	(3)
12	45-88-7195	Flatwasher No. 10	(1)
13	45-88-0750	Rubber Washer	(1)
14	23-82-0290	Rubber Tubing 1.12" Long	(1)
15	42-40-0362	Snap Bushing-3/8"	(1)
16	06-97-3400	Lockwasher No. 10	(1)
17	06-81-0030	10-32x3/8" Taptite Screw	(2)
18	23-66-1115	Switch	(1)
19	23-84-0060	Solenoid	(1)

IDLE CONTROL ASSEMBLY

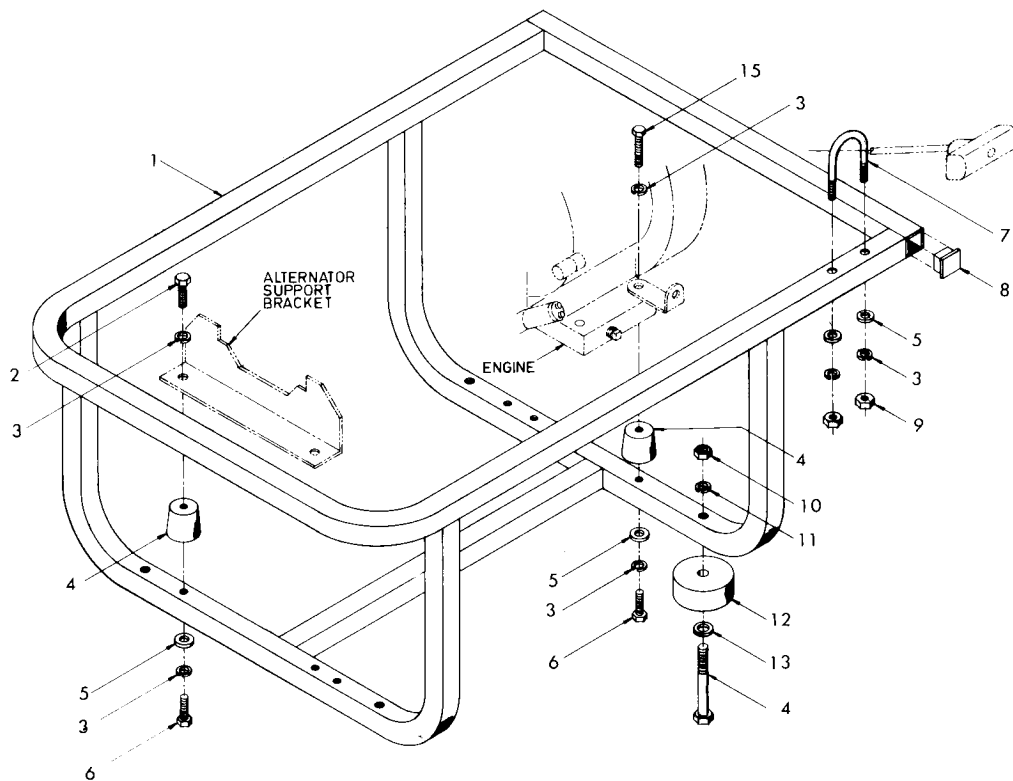


FIG.	PART NO.	DESCRIPTION OF PART	NO. REQ.	FIG.	PART NO.	DESCRIPTION OF PART	NO. REQ.
1	43-40-0150	Cradle Assembly	(1)	8	44-68-0160	Caplug	(2)
2	06-75-0300	5/16-18x3/4" Hex. Hd. Capscrew	(2)	9	06-55-1980	5/16-18 Hex. Nut	(4)
3	06-97-4100	Lockwasher-5/16"	(15)	10	06-55-2400	3/8-16 Hex. Nut	(1)
4	42-38-0150	Vibration Dampener	(4)	11	06-97-4125	Lockwasher-3/8"	(4)
5	45-88-7216	Flat Washer-5/16"	(8)	12	43-33-0300	Vibration Mount	(4)
6	06-75-0341	5/16-18x1-1/2" Hex. Hd. Capscrew	(4)	13	45-88-5245	Flat Washer-3/8"	(4)
7	42-32-0170	Eye Bolt	(1)	14	06-75-0650	3/8-16x2-1/4" Hex. Hd. Capscrew	(4)
	42-68-0295	U-Bolt	(1)	15	06-75-4200	5/16-18x2" Hex. Hd. Capscrew	(2)

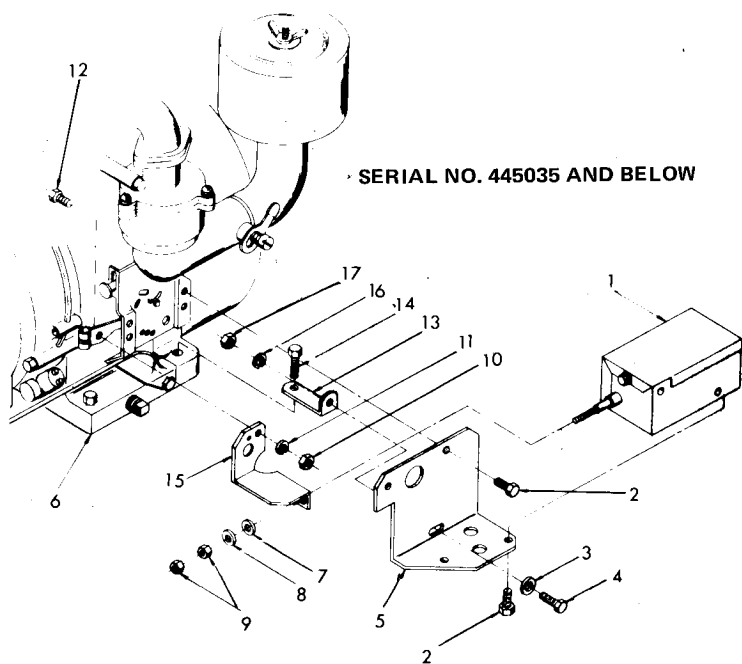


FIG.	PART NO.	DESCRIPTION OF PART	NO. REQ.
1	—	Idle Control Assembly	(1)
2	06-75-2400	10-32x1/2" Taptite Screw	(4)
3	45-88-7050	Flatwasher-1/4"	(1)
4	06-75-0100	1/4-20x3/4" Hex. Hd. Capscrew	(1)
5	42-36-0770	Idle Control Support Bracket	(1)
6	—	Engine-8 HP Briggs & Stratton (For Replacement Contact Briggs & Stratton Service Station)	
7	45-88-0750	Rubber Washer	(1)
8	45-88-7195	Flatwasher No. 10	(1)
9	06-55-1100	10-32 Hex. Nut	(2)
10	06-55-0600	6-32 Hex. Nut	(1)
11	06-97-3175	Lockwasher No. 6	(1)
12	06-75-0015	6-32x.62" Machine Screw	(1)
13	42-36-1010	Support Bracket	(1)
14	06-75-0341	5/16-18x1-1/2" Hex. Hd. Capscrew	(1)
15	42-36-1020	Idle Control Governor Bracket	(1)
16	06-97-1000	Lockwasher-1/4"	(1)
17	06-55-1500	1/4" Hex. Nut	(1)

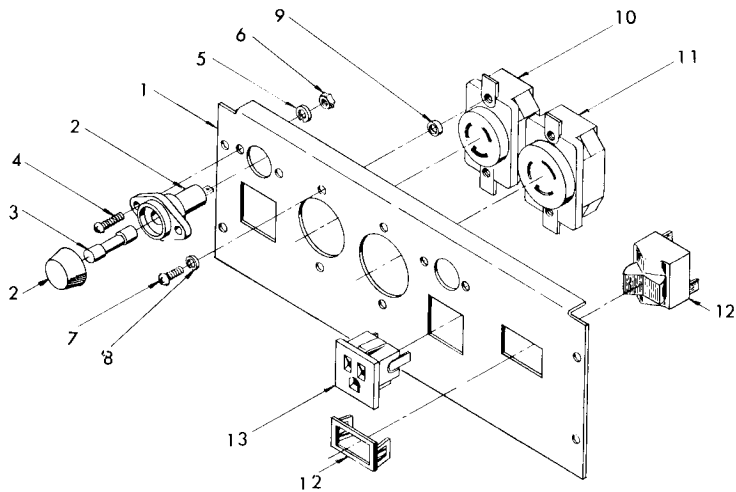


FIG.	PART NO.	DESCRIPTION OF PART	NO. REQ.
1	23-35-0180	Control Panel	(1)
2	23-04-0060	Fuse Holder	(2)
3	22-89-0065	Fuse-15 Amp	(2)
4	06-81-5630	8-32x1/2" Machine Screw	(4)
5	06-97-3200	Lockwasher No. 8	(4)
6	06-55-0825	8-32 Hex. Nut	(4)
7	06-81-4200	6-32x.37" Lg. Machine Screw	(4)
8	06-97-3175	Lockwasher No. 6	(4)
9	45-88-0760	Nylon Washer	(4)
10	23-33-0310	Outlet-240V. 20 Amp. 3 Prong	(1)
11	23-33-0240	Outlet-120V. 30 Amp. 3 Prong	(1)
12	23-66-1110	Voltage Selector Switch	(1)
13	23-33-0130	Outlet-120V. 15 Amp. Parallel Blade	(2)

WIRING DIAGRAM

