



SERVICE PARTS LIST

10 H.P. ALTERNATOR - 4000 WATTS

Catalog No. 4713

Starting
Serial No. **522-1001**

Specify Catalog and Serial No. when ordering parts

BUL. 54-00-2300

REVISED BUL. DATE
Feb. '76

WIRING INSTRUCTIONS
58-01-0960

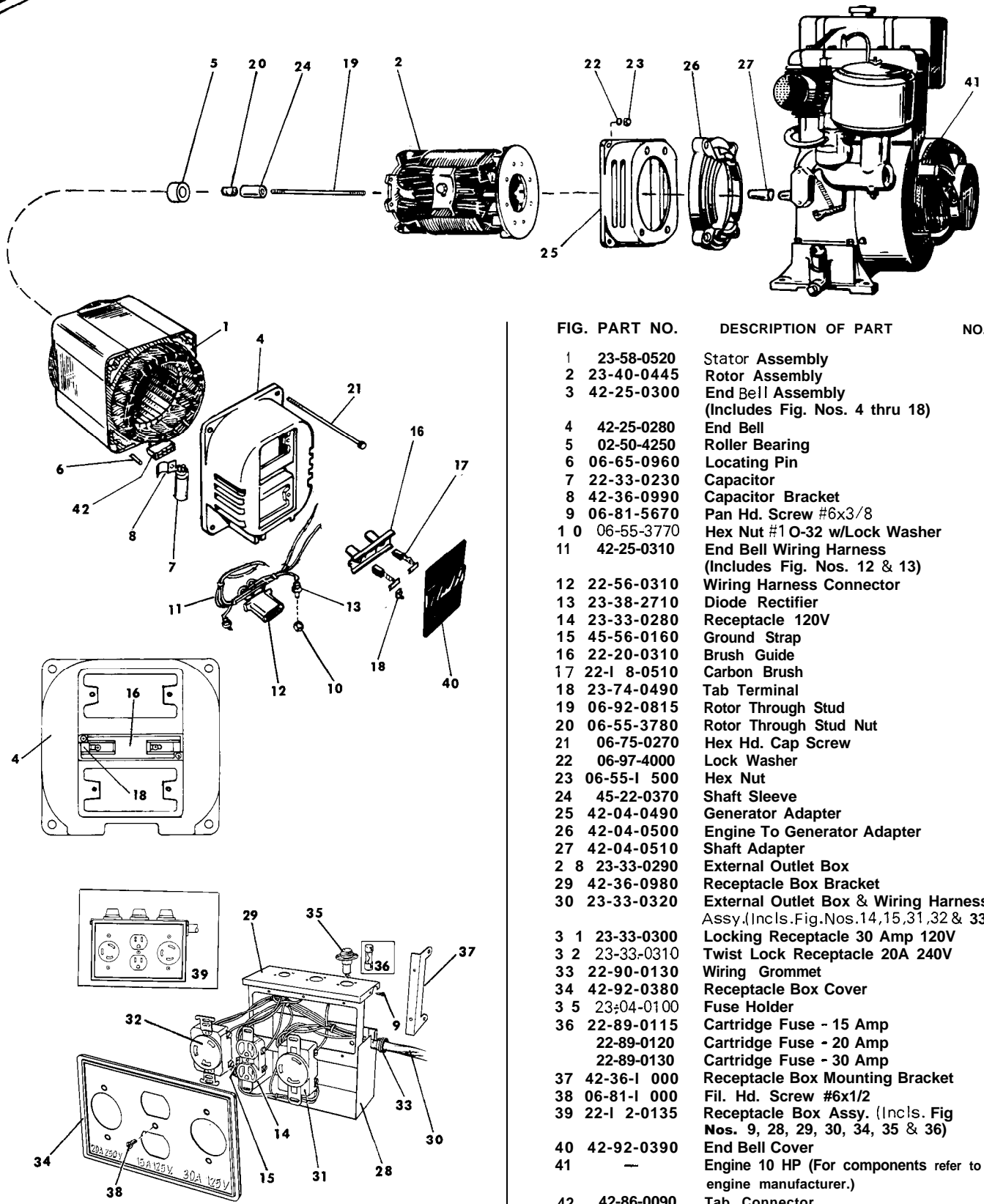


FIG.	PART NO.	DESCRIPTION OF PART	NO. REQ.
1	23-58-0520	Stator Assembly	(1)
2	23-40-0445	Rotor Assembly	(1)
3	42-25-0300	End Bell Assembly (Includes Fig. Nos. 4 thru 18)	(1)
4	42-25-0280	End Bell	(1)
5	02-50-4250	Roller Bearing	(1)
6	06-65-0960	Locating Pin	(4)
7	22-33-0230	Capacitor	(1)
8	42-36-0990	Capacitor Bracket	(1)
9	06-81-5670	Pan Hd. Screw #6x3/8	(12)
10	06-55-3770	Hex Nut #10-32 w/Lock Washer	(2)
11	42-25-0310	End Bell Wiring Harness (Includes Fig. Nos. 12 & 13)	(1)
12	22-56-0310	Wiring Harness Connector	(1)
13	23-38-2710	Diode Rectifier	(2)
14	23-33-0280	Receptacle 120V	(1)
15	45-56-0160	Ground Strap	(1)
16	22-20-0310	Brush Guide	(1)
17	22-1 8-0510	Carbon Brush	(2)
18	23-74-0490	Tab Terminal	(1)
19	06-92-0815	Rotor Through Stud	(1)
20	06-55-3780	Rotor Through Stud Nut	(1)
21	06-75-0270	Hex Hd. Cap Screw	(4)
22	06-97-4000	Lock Washer	(4)
23	06-55-1 500	Hex Nut	(4)
24	45-22-0370	Shaft Sleeve	(1)
25	42-04-0490	Generator Adapter	(1)
26	42-04-0500	Engine To Generator Adapter	(1)
27	42-04-0510	Shaft Adapter	(1)
28	23-33-0290	External Outlet Box	(1)
29	42-36-0980	Receptacle Box Bracket	(1)
30	23-33-0320	External Outlet Box & Wiring Harness Assy.(Incls.Fig.Nos.14,15,31,32 & 33)	(1)
31	23-33-0300	Locking Receptacle 30 Amp 120V	(1)
32	23-33-0310	Twist Lock Receptacle 20A 240V	(1)
33	22-90-0130	Wiring Grommet	(1)
34	42-92-0380	Receptacle Box Cover	(1)
35	23-04-0100	Fuse Holder	(3)
36	22-89-0115	Cartridge Fuse - 15 Amp	(1)
	22-89-0120	Cartridge Fuse - 20 Amp	(1)
	22-89-0130	Cartridge Fuse - 30 Amp	(1)
37	42-36-1 000	Receptacle Box Mounting Bracket	(2)
38	06-81-1 000	Fil. Hd. Screw #6x1/2	(5)
39	22-1 2-0135	Receptacle Box Assy. (Incls. Fig Nos. 9, 28, 29, 30, 34, 35 & 36)	(1)
40	42-92-0390	End Bell Cover	(1)
41	—	Engine 10 HP (For components refer to engine manufacturer.)	(1)
42	42-86-0090	Tab Connector	(1)

REFER TO REVERSE SIDE FOR ENGINE MOUNTING BASE

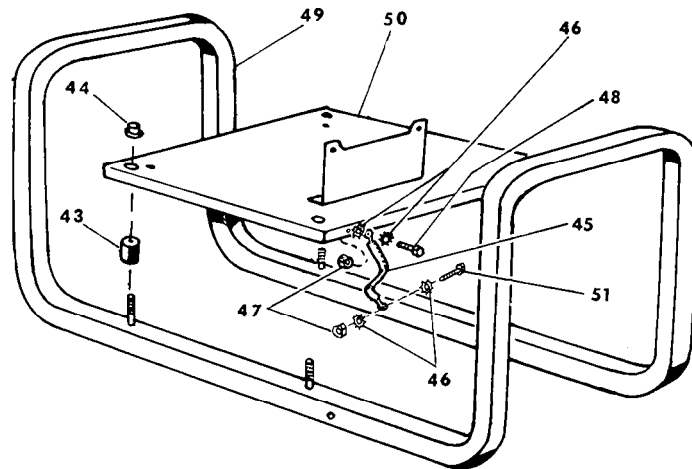


FIG.	PART NO.	DESCRIPTION OF PART	NO. REQ.
	43	44-34-0090 Isolation Mount	(4)
	44	06-57-5170 Flange Nut	(4)
	45	45-56-0170 Bond Strap	(1)
	46	06-97-5600 Shakeproof Washer	(4)
	47	06-55-1 500 Hex Nut 1/4-20	(2)
	48	06-75-0075 Hex Hd. Cap Screw 1/4-20x1/2	(1)
	49	43-40-0140 Carrying Frame	(1)
	50	42-20-0490 Engine Mounting Base	(1)
	51	06-75-0230 Hex Hd. Cap Screw 1/4-20x1-3/4	(1)

REFER TO BULL. 54-00-0010 FOR ALTERNATOR DOLLY REPAIR PARTS