



SERVICE PARTS LIST

BULLETIN NO.
54-42-5850

SPECIFY CATALOG NO. AND SERIAL NO. WHEN ORDERING PARTS		REVISED BULLETIN	DATE
SCREW-SHOOTER MAGAZINE ATTACHMENT & 20.5" EXTENSION KIT			Apr. 2002
CATALOG NO.	48-05-1000	DATE CODE	001016
	48-95-0500		-----
WIRING INSTRUCTION			

EXAMPLE:
Component Parts (Small #)
Are Included When Ordering
The Assembly (Large #).

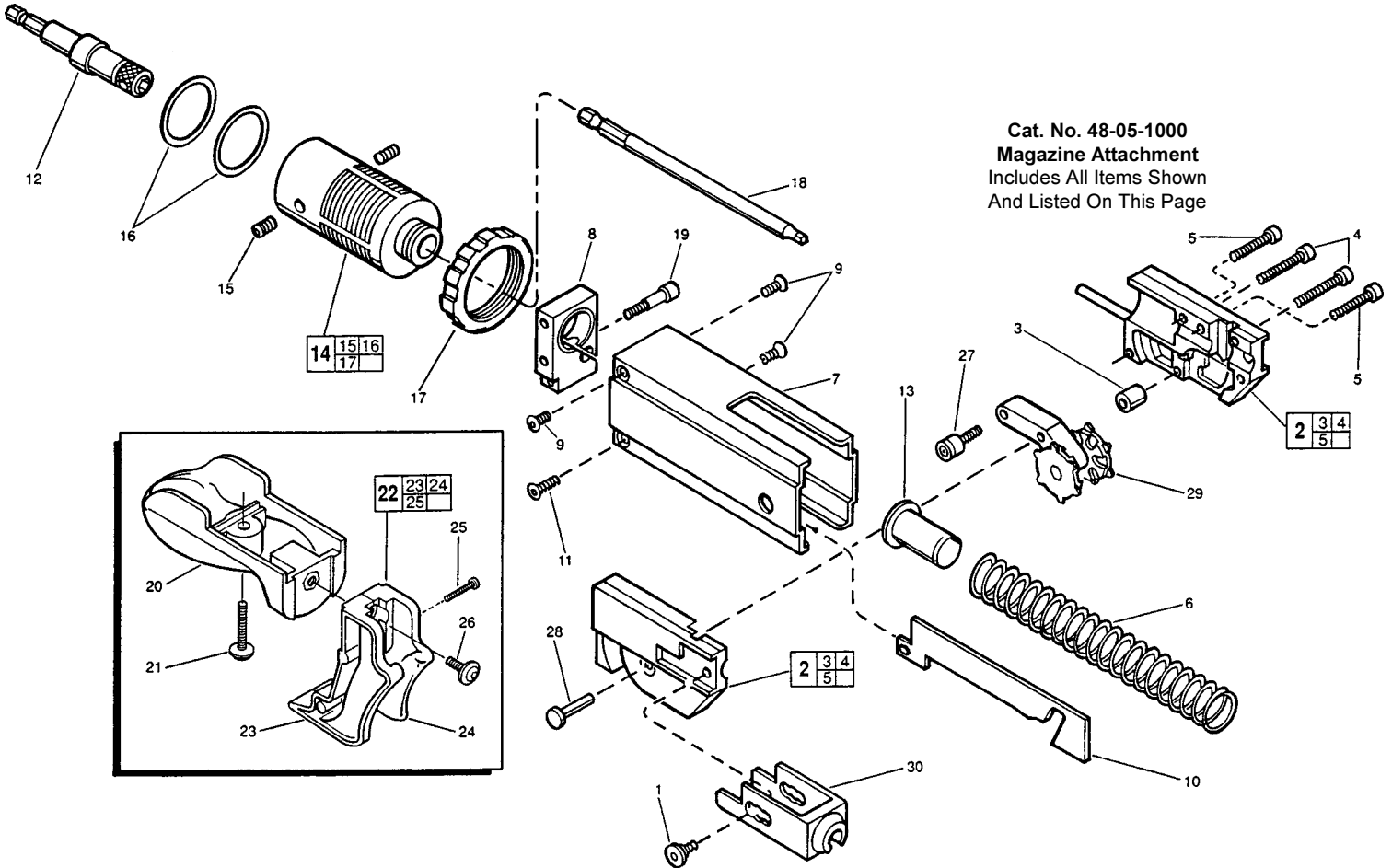


FIG.	PART NO.	DESCRIPTION OF PART	NO. REQ.
1	06-81-1700	M5 x 0.8 x 5. lg, 3mm Skt. Hd. Sld. Sc.	2
2	43-56-0310	Gliding Assembly	1
3	42-40-0001	Distance Bearing Bushing	1
4	06-95-1000	M3.5 x 22. lg, Phillips Pan Hd. Plast. Sc.	2
5	06-95-1005	M3.5 x 24. lg, Phillips Pan Hd. Plast. Sc.	2
6	40-50-0405	Spring (Blue)	1
7	43-76-0050	Housing	1
8	44-66-1500	Mounting Plate	1
9	06-81-2000	M4 x 0.7 x 8. lg, 2.5mm Skt. Hd. Flat Sc.	3
10	44-66-0305	Curve Plate	1
11	06-81-2005	M4 x 0.7 x 10. lg, 2.5mm Skt. Hd. Flat Sc.	1
12	43-72-0010	Bit Holder	1
13	43-56-0300	Spring Guide	1
14	43-76-0295	Adapter Assembly	1
15	06-83-1400	M6 x 1.0 x 6. lg, 3mm Socket Set Screw	2
16	34-40-0700	O-Ring	2
17	44-40-0575	Stop Nut	2
18	48-30-1521	120mm #2 Phillips Bit	1
18A	48-30-1526	120mm #2 Square Bit (Not Shown)	1
19	06-81-2010	M5 x 0.8 x 25. lg, 4mm Skt. Hd. Sld. Sc.	1
20	43-62-1230	Handle	1
21	06-81-2015	M5 x 0.8 x 25. lg, 3mm Skt. Hd. Sld. Sc.	1
22	43-56-0305	Plastic Belt Guide	1
23	43-56-0320	Belt Guide-Right	1
24	43-56-0325	Belt Guide-Left	1

FIG.	PART NO.	DESCRIPTION OF PART	NO. REQ.
25	06-95-1010	Assembly Guide Screw	2
26	06-81-2020	M5 x 0.8 x 12 lg, 4mm Skt. 1 Hd. Pan Sc.	1
27	06-81-2025	M5 x 0.8, 3mm Socket Hd. Roller Screw	1
28	44-60-1520	Pivot Pin	1
29	42-74-0095	Gear Wheel Unit	1
30	43-46-0200	Depth Control, 1-5/8" to 2"	1
30A	43-46-0205	Depth Control, 1-1/4" to 1-1/2" (Not Shown)	1
	49-96-4800	Allen Key Set-2, 2.5, 3 & 4mm (Not Shown)	1
	10-15-6100	Depth Label (Not Shown)	1
	12-25-1470	Warning Label (Not Shown)	1

FIG. NOTES:
9,11 Use Loctite 272 on screws.

SEE REVERSE SIDE FOR 20.5" EXTENSION KIT

MILWAUKEE ELECTRIC TOOL CORPORATION
13135 W. LISBON RD., BROOKFIELD, WI 53005

Cat. No. 48-95-0500

20.5" Extension Kit

Includes Part Nos. 34 through 49 And (1) Stop Nut, Part No. 17.
All Other Parts Are Shown For Reference Purposes.

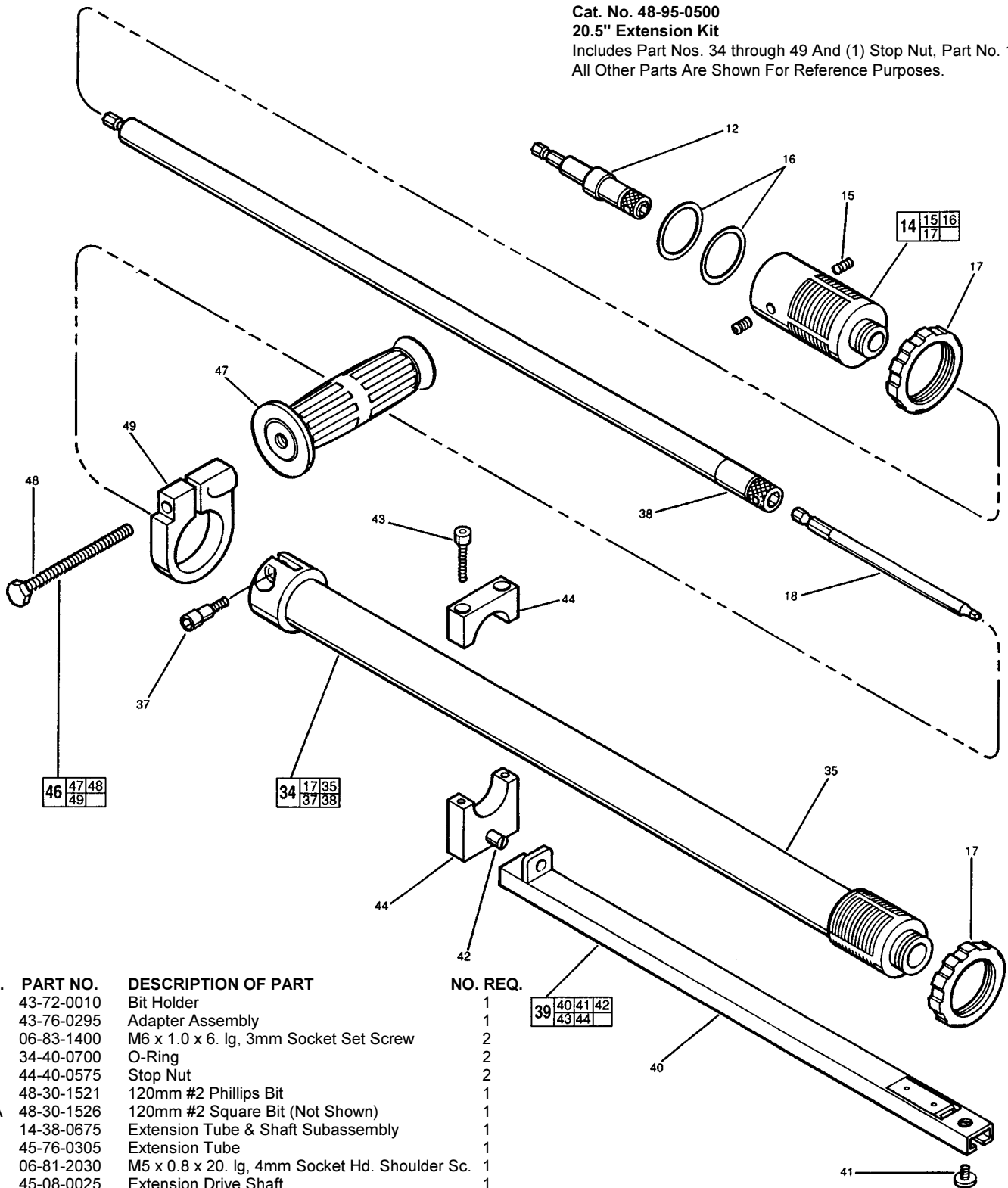


FIG.	PART NO.	DESCRIPTION OF PART	NO. REQ.
	12	43-72-0010 Bit Holder	1
	14	43-76-0295 Adapter Assembly	1
	15	06-83-1400 M6 x 1.0 x 6. lg, 3mm Socket Set Screw	2
	16	34-40-0700 O-Ring	2
	17	44-40-0575 Stop Nut	2
	18	48-30-1521 120mm #2 Phillips Bit	1
18A	48-30-1526	120mm #2 Square Bit (Not Shown)	1
	34	14-38-0675 Extension Tube & Shaft Subassembly	1
	35	45-76-0305 Extension Tube	1
	37	06-81-2030 M5 x 0.8 x 20. lg, 4mm Socket Hd. Shoulder Sc.	1
	38	45-08-0025 Extension Drive Shaft	1
	39	14-38-0685 Screw Guide Subassembly	1
	40	43-56-0025 Screw Guide	1
	41	06-81-2035 M5 x 0.8 x 10. lg, 3mm Socket Hd. Screw	1
	42	43-56-0330 Slotted Guide Screw	1
	43	06-81-2040 M4 x 0.7 x 25. lg, 3mm Socket Hd. Screw	2
	44	42-68-0080 Clamp	1
	46	14-34-0505 Side Handle Subassembly	1
	47	43-62-1235 Side Handle	1
	48	06-14-0060 M8 x 1.25 x 80. lg, 13mm Hex Hd. Bolt	1
	49	42-68-1040 Clamp	1