



# SERVICE PARTS LIST

BULLETIN NO.  
54-36-0602

SPECIFY CATALOG NO. AND SERIAL NO. WHEN ORDERING PARTS		REVISED BULLETIN	DATE
RIGHT ANGLE DRIVE UNIT (For Reversing Drills)		54-36-0601	Sept. '97
CATALOG NO. 48-06-2871	STARTING SERIAL NO.	WIRING INSTRUCTION	

EXAMPLE:  
 Component Parts (Small #)  
 Are Included When Ordering  
 The Assembly (Large #).

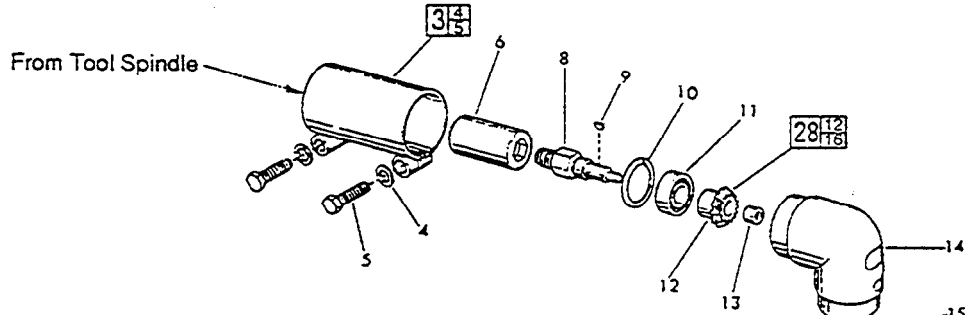
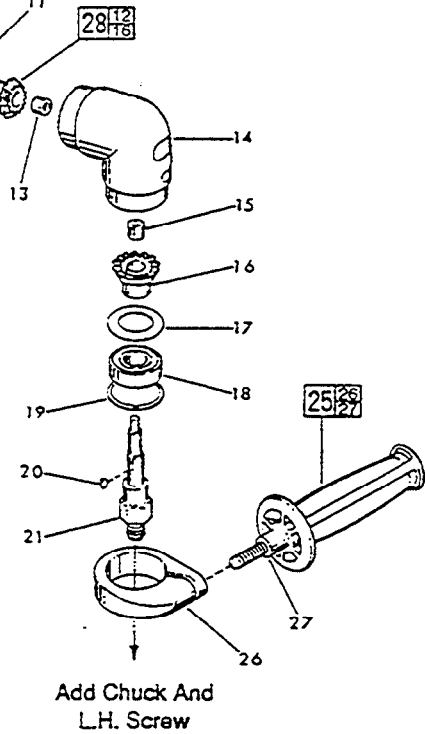


FIG.	PART NO.	DESCRIPTION OF PART	NO. REQ.
1	48-06-2871	Right Angle Drive Assembly (Includes Fig. Nos. 2 Thru 24 And 28)	(1)
2	12-15-6015	Right Angle Drive Nameplate (Not Shown)	(1)
3	45-22-0125	Plated Attachment Sleeve Assembly	(1)
4	45-88-0601	Washer	(2)
5	06-75-0500	3/8-16 x 1" Hex Hd. Screw	(2)
6	42-90-0170	Female Hex Coupling (Hex On Both Ends For D Handle Tools Only)	(1)
	42-90-0175	Female Hex Coupling (Hex On Both Ends For Magnum Drill Only)	(1)
7	14-72-0110	Reversing Drive Assembly (Includes Fig. Nos. 8 Thru 21)	(1)
8	38-50-2951	Reversing Spindle (High Speed)	(1)
9	06-42-1200	Woodruff Key	(1)
10	34-80-2300	Retaining Ring	(1)
11	02-04-1230	Ball Bearing	(1)
★ 12	-----	Bevel Gear	(1)
13	02-50-1610	Needle Bearing	(1)
14	28-50-7551	Right Angle Housing	(1)
15	02-50-1610	Needle Bearing	(1)
★ 16	-----	Bevel Gear	(1)
17	45-88-0525	Washer	(1)
18	02-04-1745	Ball Bearing	(1)
19	34-80-2900	Retaining Ring	(1)
20	06-42-1200	Woodruff Key	(1)
21	38-50-2801	Reversing Spindle (Low Speed)	(1)
22	44-60-0190	Knockout Pin (Not Shown)	(1)
23	49-96-0080	3/16" Socket Wrench (Not Shown)	(1)
24	49-96-4060	Open End Wrench (9/16" & 11/16" Not Shown)	(1)
25	49-15-0200	Auxiliary Side Handle	(1)
★ 26	25-82-0130	Handle Ring	(1)
27	43-62-0885	Side Handle	(1)
★ 28	14-46-4005	Bevel Gear Service Kit	(1)



MILWAUKEE ELECTRIC TOOL CORPORATION  
 13135 W. LISBON RD., BROOKFIELD, WI 53005