



# SERVICE PARTS LIST

BUL. 54-40-8000

## CHAIN SAW ATTACHMENT

REVISED BUL 6421-1 DATE May '68

CAT. NO. 48-08-0100

Starting Serial No.

WIRING INSTR.

Both Model and Serial No. must be furnished to obtain correct parts.

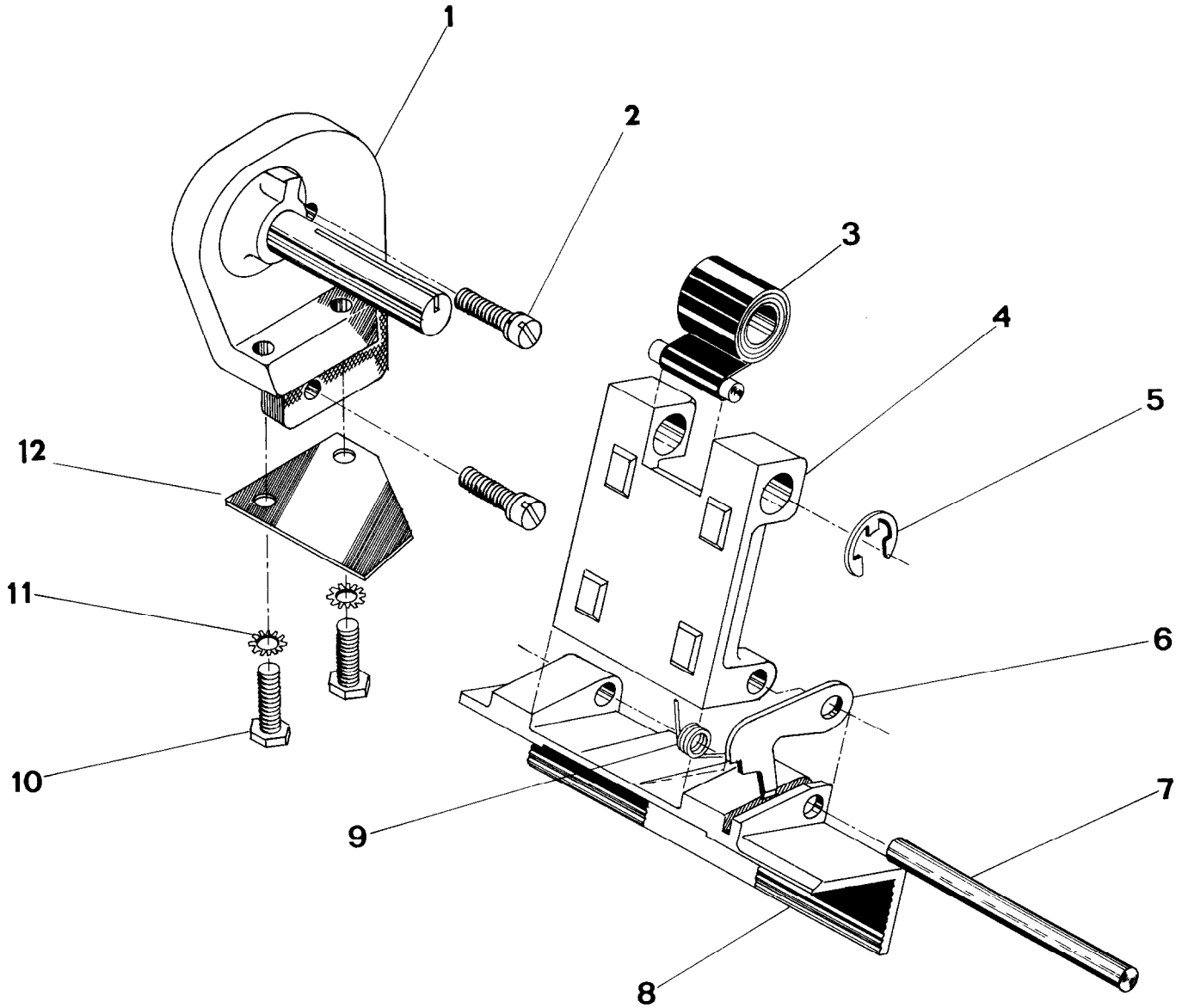


FIG.	PART NO.	DESCRIPTION OF PART
1	28-02-0330	Adapter Assy. (Inc. Item 5)
2	06-81-7850	1/4-20x1 Fil.Hd.Sem Attachment Mtg. Scrs. (2)
3	40-50-7700	Main Spring Assy.
4	28-04-0350	Arm
5	34-60-1450	'E' Ring
6	43-74-0070	Hook

FIG.	PART NO.	DESCRIPTION OF PART
7	45-08-0120	5/16" Angle Shaft
8	28-90-0180	Support
9	40-50-7705	Angle Control Spring
10	06-75-0100	1/4-20x3/4 Hex Hd. Bolt (2)
11	06-97-1000	1/4" Lock Washer (2)
12	44-66-5250	Stop Plate