



# SERVICE PARTS LIST

**BUL.54-40-0500**

## BAND SAW TABLE

REVISED BUL.

DATE

Jan. '78

WIRING INSTRUCTIONS

**Cat. No. 48-08-0250**

Starting  
Serial No.

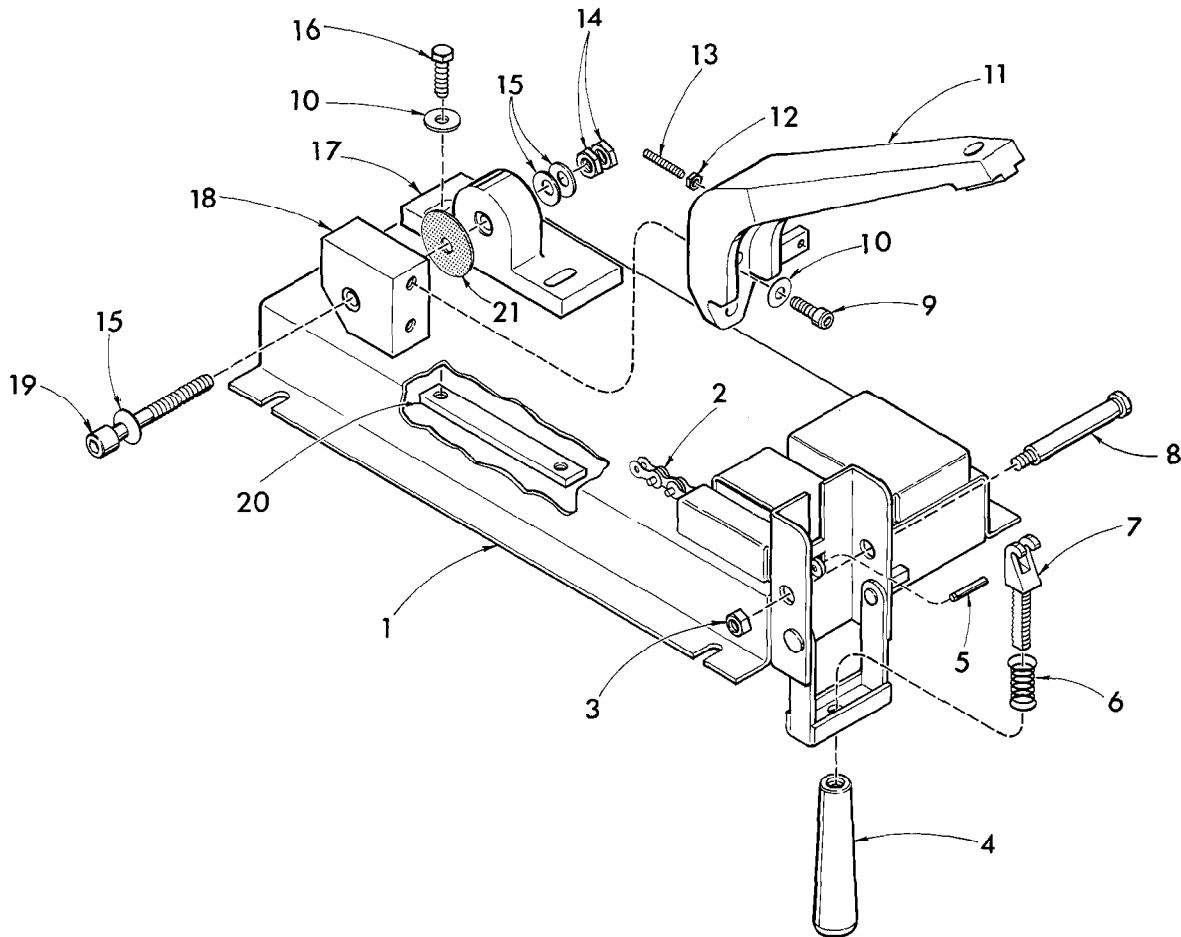


FIG.	PART NO.	DESCRIPTION OF PART	NO. REQ.
1	42-20-0530	Base	(1)
2	42-60-0130	Chain	(1)
3	06-57-5150	3/8-16 Lock Nut	(1)
4	43-62-0690	Handle	(1)
5	06-65-0860	Chain Pin .200 x 1"	(1)
6	40-50-1170	Handle Spring	(1)
7	43-74-0090	Chain Hook	(1)
8	42-32-0190	Shoulder Screw	(1)
9	06-75-4675	3/8-16 x 1 Socket Hd. Cap Screw	(2)
10	45-88-5261	3/8" flat Washer	(4)
11	28-10-0320	Band Saw Mounting Bracket	(1)
12	06-55-1500	1/4-20 Hex Nut	(1)
13	06-83-2695	1/4-20 x 1-1/4 Dampening Screw	(1)
14	06-57-4980	1/2-13 Jam Nut	(2)
15	45-88-0830	1/2" Bellville Washer	(3)
16	06-75-0500	3/8-16 x 1" Hex. Hd. Cap Screw	(2)
17	43-34-0220	Mounting Flange	(1)
18	42-28-0230	Mounting Block	(1)
19	06-75-5820	1/2-13x3-1/4 Socket Hd. Cap Screw	(1)
20	42-18-0230	Nut Bar	(1)
21	45-88-7430	Friction Pad	(1)