



# SERVICE PARTS LIST

## 10" or 12" ADJUSTABLE HACKSAW

### Catalog No. 48-08-0310

**BUL. 54-40-8210**

REVISED BUL.

DATE

Feb. '74

WIRING INSTRUCTIONS

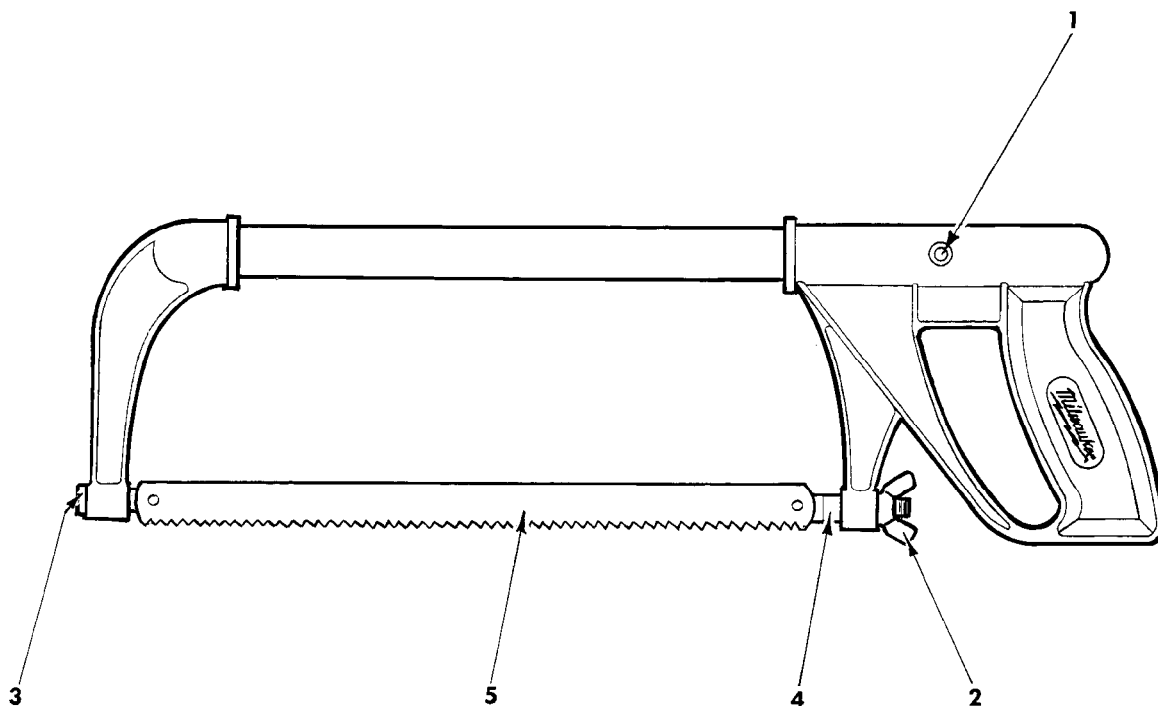


FIG.	PART NO.	DESCRIPTION OF PART	NO. REQ.
1	45-04-0510	Knurled Head Pin	(1)
2	44-40-0400	Wing Nut	(1)
3	43-72-0080	Front Stretcher	(1)
4	43-72-0090	Rear Stretcher	(1)
5	—	Blade (10" or 12") Select from catalog	