

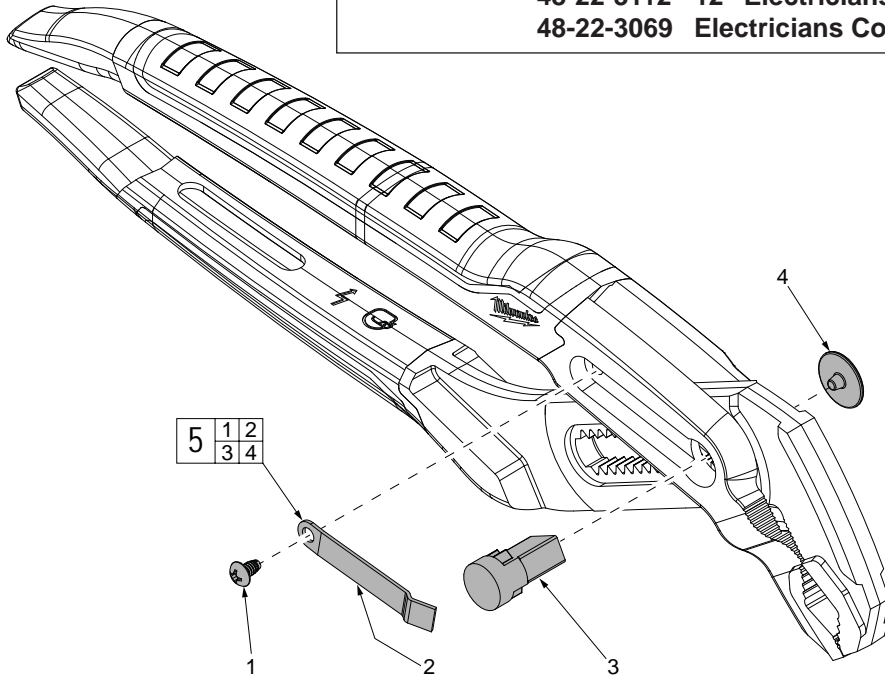


SERVICE PARTS LIST

**BULLETIN NO.
54-49-3100**

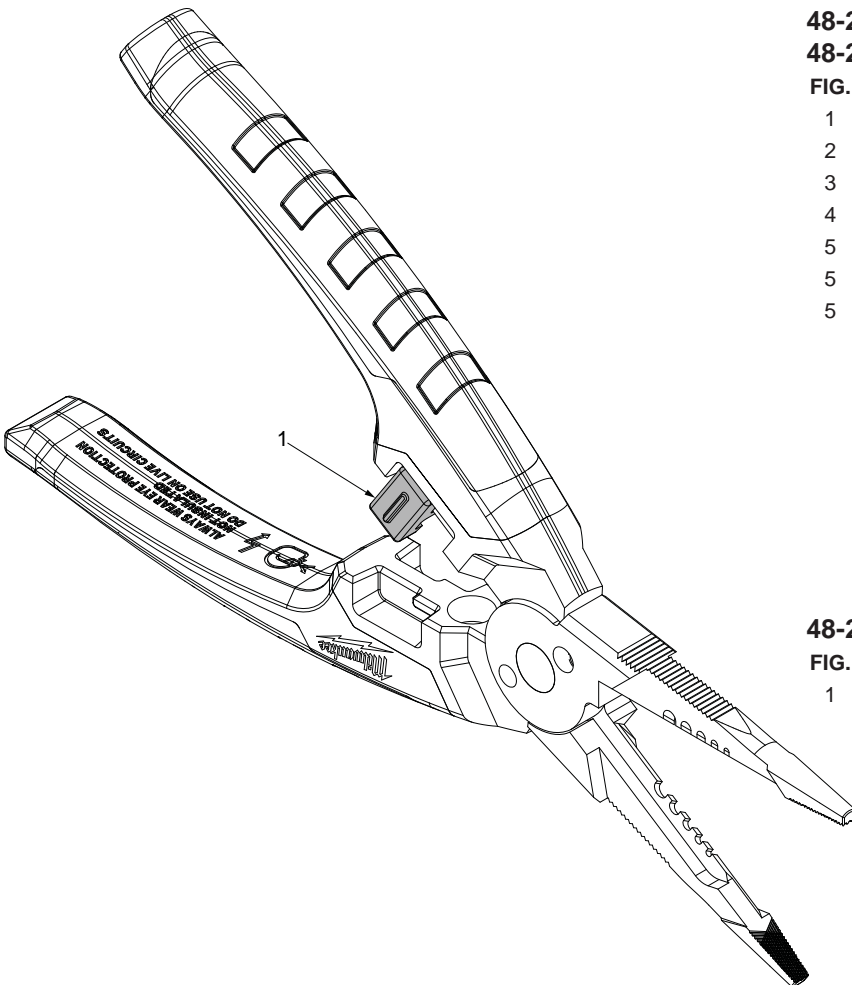
SPECIFY CATALOG NO. AND SERIAL NO. WHEN ORDERING PARTS		REVISED BULLETIN	DATE
ELECTRICIANS PLIERS			Nov. 2011
CATALOG NO.	DESCRIPTION	WIRING INSTRUCTION	
48-22-3108	8" Electricians Groove Pliers		
48-22-3110	10" Electricians Groove Pliers		
48-22-3112	12" Electricians Groove Pliers		
48-22-3069	Electricians Combo Wire Pliers		

EXAMPLE:
 Component Parts (Small #)
 Are Included When Ordering
 The Assembly (Large #).



- 48-22-3108 8" Electrician Groove Pliers**
- 48-22-3110 10" Electrician Groove Pliers**
- 48-22-3112 12" Electrician Groove Pliers**

FIG.	PART NO.	DESCRIPTION OF PART	NO. REQ.
1	-----	Screw	(1)
2	-----	Spring	(1)
3	-----	Button	(1)
4	-----	Cap	(1)
5	14-46-0032	8" Mechanism Service Kit	(1)
5	14-46-0033	10" Mechanism Service Kit	(1)
5	14-46-0034	12" Mechanism Service Kit	(1)



48-22-3069 Electrician Combination Wire Pliers

FIG.	PART NO.	DESCRIPTION OF PART	NO. REQ.
1	14-46-0035	Combination Pliers Service Kit	(1)