



# SERVICE PARTS LIST

BULLETIN NO.  
54-04-0100

SPECIFY CATALOG NO. AND SERIAL NO. WHEN ORDERING PARTS		REVISED BULLETIN	DATE
<b>BATTERY CHARGER</b>			Feb. '95
CATALOG NO. <b>48-59-0160</b>	DATE CODE	WIRING INSTRUCTION <b>SEE REVERSE SIDE</b>	

EXAMPLE:  
 Component Parts (Small #) Are Included  
 When Ordering The Assembly (Large #).

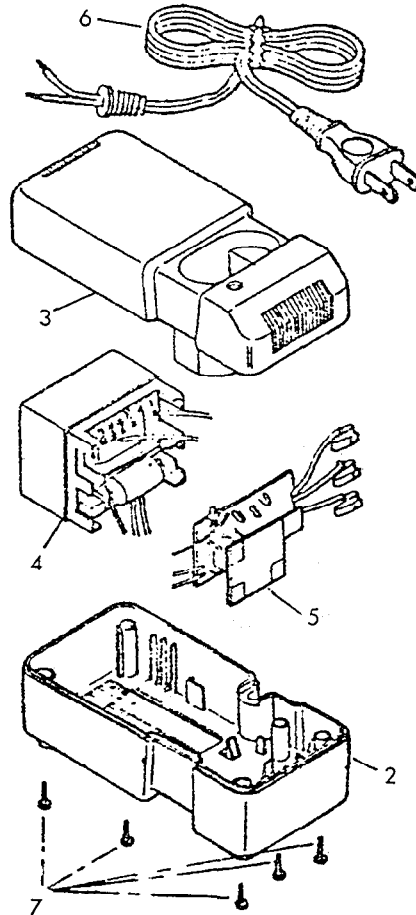


FIG.	PART NO.	DESCRIPTION OF PART	NO. REQ.
1	48-59-0160	Battery Charger (Incl. Fig. Nos. 2 thru 7)	(1)
2	31-15-0320	Bottom Charger Housing	(1)
3	31-15-0315	Top Charger Housing	(1)
4	-----	Transformer	(1)
5	-----	Printed Circuit Board	(1)
6	22-64-0025	Cord Set	(1)
7	45-04-0700	Screw	(5)

# BATTERY CHARGER

