



SERVICE PARTS LIST

BULLETIN NO.
54-04-0110

SPECIFY CATALOG NO. AND SERIAL NO. WHEN ORDERING PARTS		REVISED BULLETIN	DATE
1/2 HOUR 9.6V SUPER CHARGER			Nov.'88
CATALOG NO. 48-59-0165	STARTING SERIAL NO. 768-1001	WIRING INSTRUCTION SEE REVERSE SIDE	

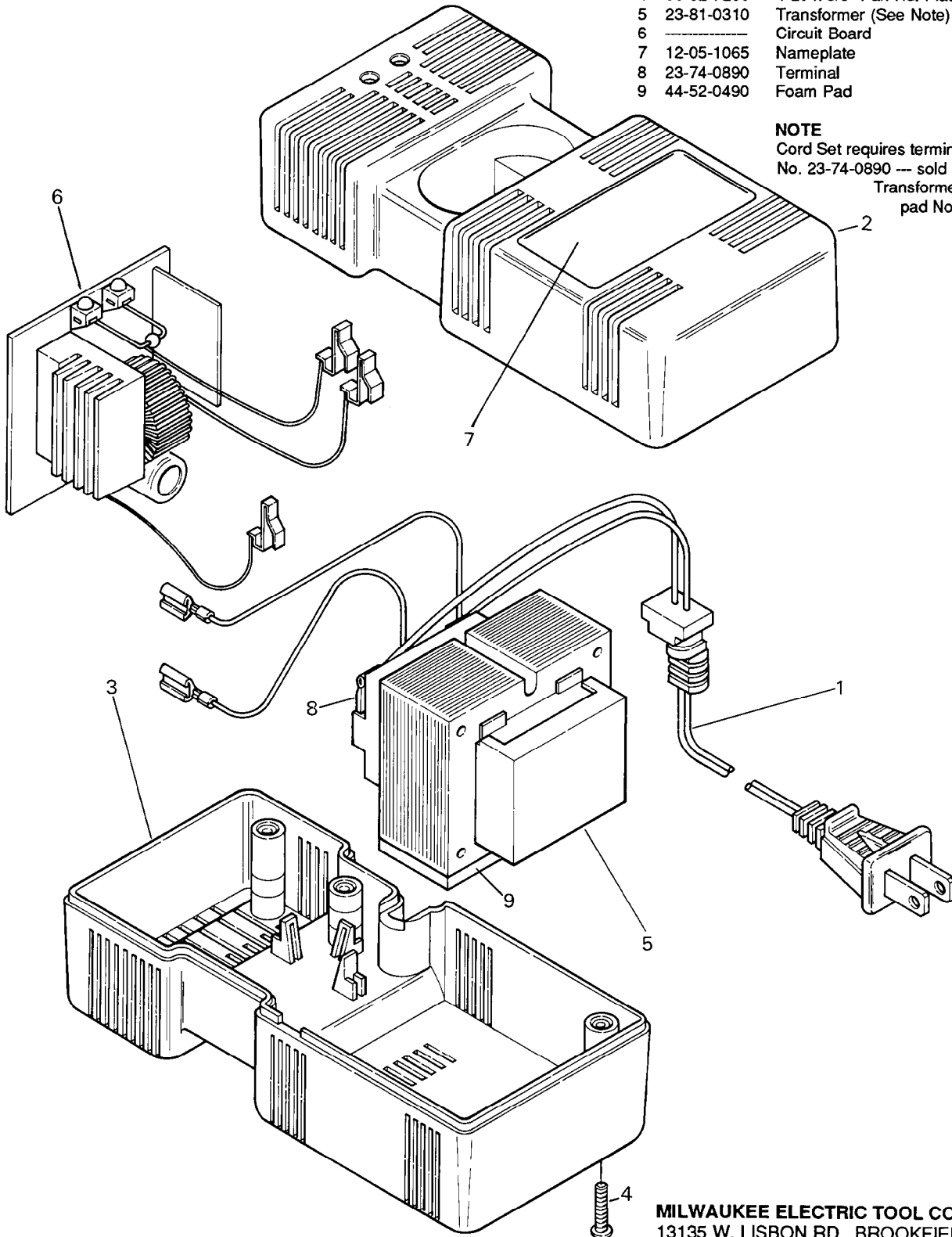
EXAMPLE:

00	0
----	---

 Component Parts (Small #) Are Included
 When Ordering The Assembly (Large #).

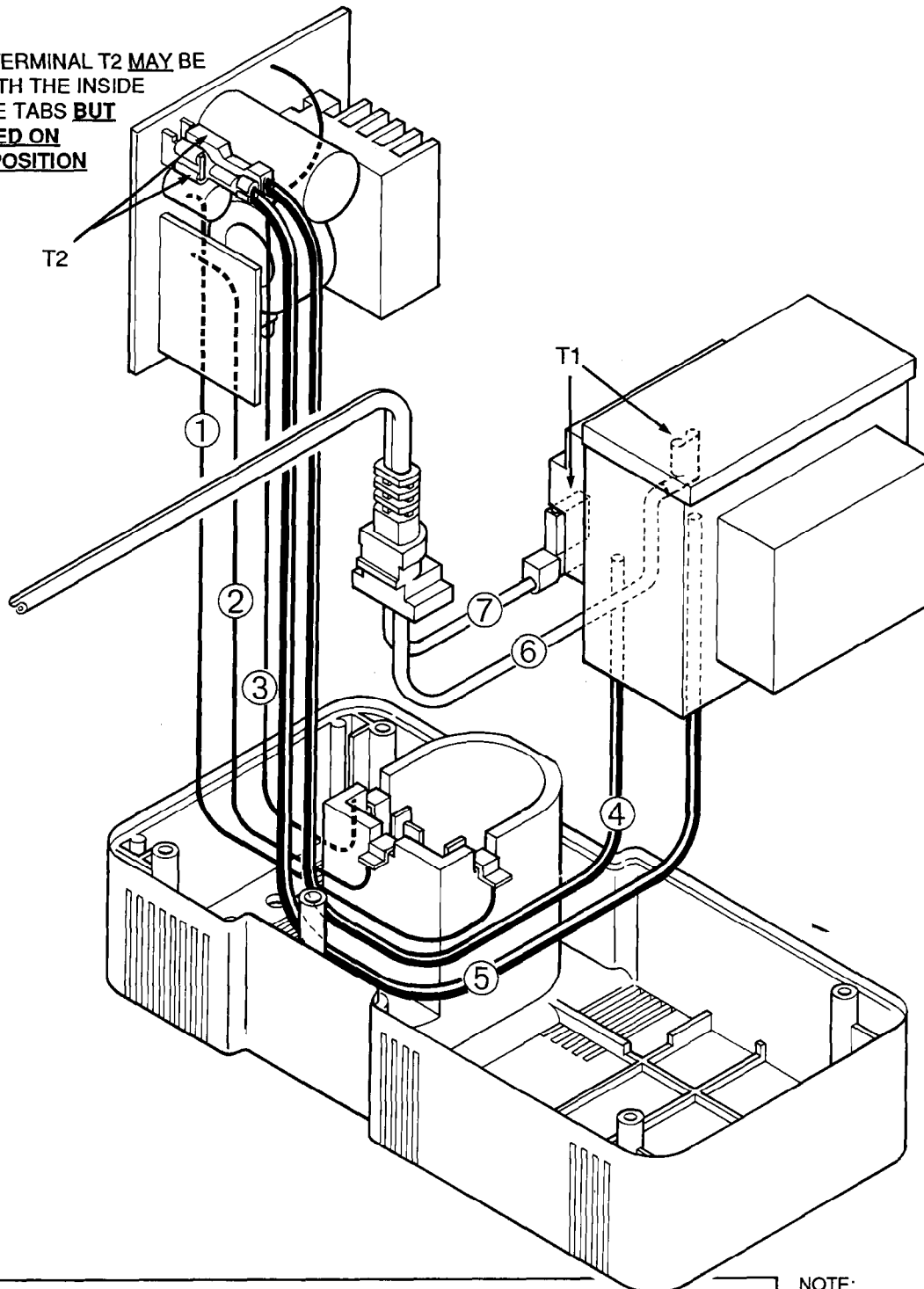
FIG.	PART NO.	DESCRIPTION OF PART	NO. REQ.
1	22-64-0025	Cord Set (See Note)	(1)
2	31-50-0820	Top Housing	(1)
3	31-50-0830	Bottom Housing	(1)
4	06-82-7236	4-20 x 5/8" Pan Hd. Plast. Torx	(5)
5	23-81-0310	Transformer (See Note)	(1)
6	-----	Circuit Board	(1)
7	12-05-1065	Nameplate	(1)
8	23-74-0890	Terminal	(2)
9	44-52-0490	Foam Pad	(1)

NOTE
 Cord Set requires terminals
 No. 23-74-0890 --- sold separately.
 Transformer requires foam
 pad No. 44-52-0490 ---
 sold separately.



MILWAUKEE ELECTRIC TOOL CORPORATION
 13135 W. LISBON RD., BROOKFIELD, WI 53005

NOTE:
 INSULATED TERMINAL T2 MAY BE
 USED ON BOTH THE INSIDE
 AND OUTSIDE TABS **BUT**
MUST BE USED ON
THE INSIDE POSITION
AS SHOWN.



WIRING SPECIFICATIONS

Wire No.	Wire Color	Origin or Gauge	Length	Terminals, Connectors and 1 or 2 End Wire Preparation
1	Red	22 Ga.	4-1/2"	Component of circuit board assembly.
2	Red	22 Ga.	4-1/2"	Component of circuit board assembly.
3	Red	22 Ga.	4-1/2"	Component of circuit board assembly.
4	Yellow	20 Ga.	6"	Strip 1/4" for T2.
5	Yellow	20 Ga.	6"	Strip 1/4" for T2.
6	Black	18 Ga.	1-1/2"	Strip 3/16" for T1.
7	Black	18 Ga.	3"	Strip 3/16" for T1.

NOTE:
 All leads must be held to $\pm 1/8"$.
 All field leads to be measured from
 and perpendicular to laminations.
 All lead lengths are before stripping.

TERMINAL DESCRIPTION

Code	Part No.	Qty.
T1	23-74-0890	2
T2	23-74-0440	2

CONNECTOR DESCRIPTION