



SERVICE PARTS LIST

BULLETIN NO.
54-04-0111

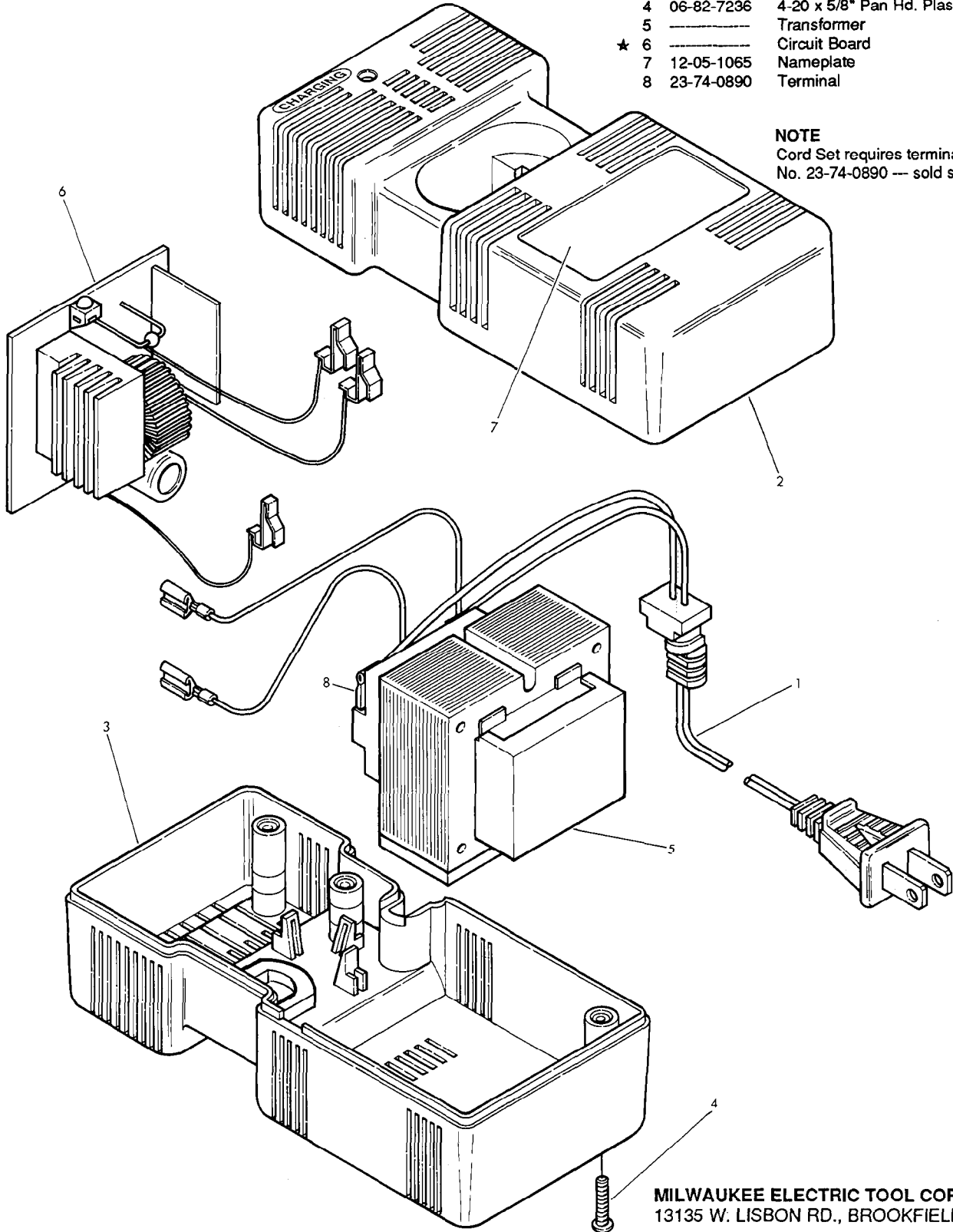
SPECIFY CATALOG NO. AND SERIAL NO. WHEN ORDERING PARTS		REVISED BULLETIN	DATE
9.6V CHARGER		54-04-0110	Sept. '89
CATALOG NO. 48-59-0165	DATE CODE E11J	WIRING INSTRUCTION	
SEE REVERSE SIDE			

EXAMPLE:
Component Parts (Small #) Are Included
When Ordering The Assembly (Large #).



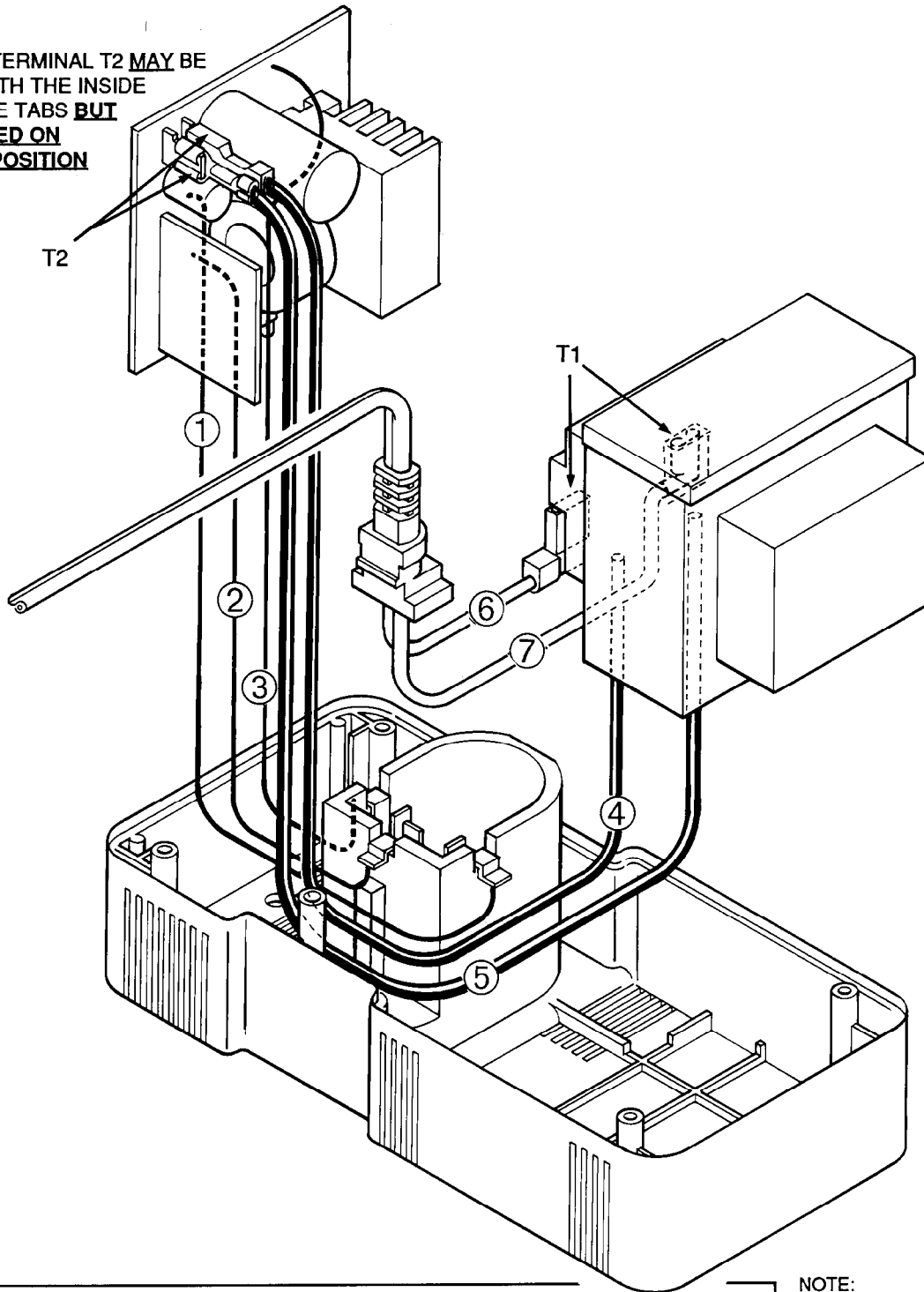
FIG.	PART NO.	DESCRIPTION OF PART	NO. REQ.
★ 1	22-64-3150	Cord Set (See Note)	(1)
★ 2	31-50-0821	Top Housing	(1)
★ 3	31-50-0831	Bottom Housing	(1)
4	06-82-7236	4-20 x 5/8" Pan Hd. Plast. Torx	(5)
5	-----	Transformer	(1)
★ 6	-----	Circuit Board	(1)
7	12-05-1065	Nameplate	(1)
8	23-74-0890	Terminal	(2)

NOTE
Cord Set requires terminals
No. 23-74-0890 --- sold separately.



MILWAUKEE ELECTRIC TOOL CORPORATION
13135 W. LISBON RD., BROOKFIELD, WI 53005

NOTE:
 INSULATED TERMINAL T2 MAY BE
 USED ON BOTH THE INSIDE
 AND OUTSIDE TABS BUT
MUST BE USED ON
THE INSIDE POSITION
AS SHOWN.



WIRING SPECIFICATIONS

Wire No.	Wire Color	Origin or Gauge	Length	Terminals, Connectors and 1 or 2 End Wire Preparation
1	Red	22 Ga.	4-1/2"	Component of circuit board assembly.
2	Red	22 Ga.	3-3/4"	Component of circuit board assembly.
3	Red	22 Ga.	2-1/4"	Component of circuit board assembly.
4	Yellow	20 Ga.	6"	Strip 1/4" for T2.
5	Yellow	20 Ga.	6"	Strip 1/4" for T2.
6	Black	18 Ga.	1-1/2"	Strip 3/16" for T1.
7	Black	18 Ga.	3"	Strip 3/16" for T1.

NOTE:
 All leads must be held to $\pm 1/8"$.
 All field leads to be measured from
 and perpendicular to laminations.
 All lead lengths are before stripping.

TERMINAL DESCRIPTION		
Code	Part No.	Qty.
T1	23-74-0890	2
T2	23-74-0440	2
CONNECTOR DESCRIPTION		