



SERVICE PARTS LIST

BULLETIN NO.
54-04-7021

SPECIFY CATALOG NO. AND SERIAL NO. WHEN ORDERING PARTS			REVISED BULLETIN	DATE
MULTI-VOLT CHARGER			54-04-7020	Dec. 2006
CATALOG NO.	48-59-2818	SERIAL NUMBER	A96C	
WIRING INSTRUCTION				

EXAMPLE:

00	0
----	---

Component Parts (Small #)
Are Included When Ordering
The Assembly (Large #).

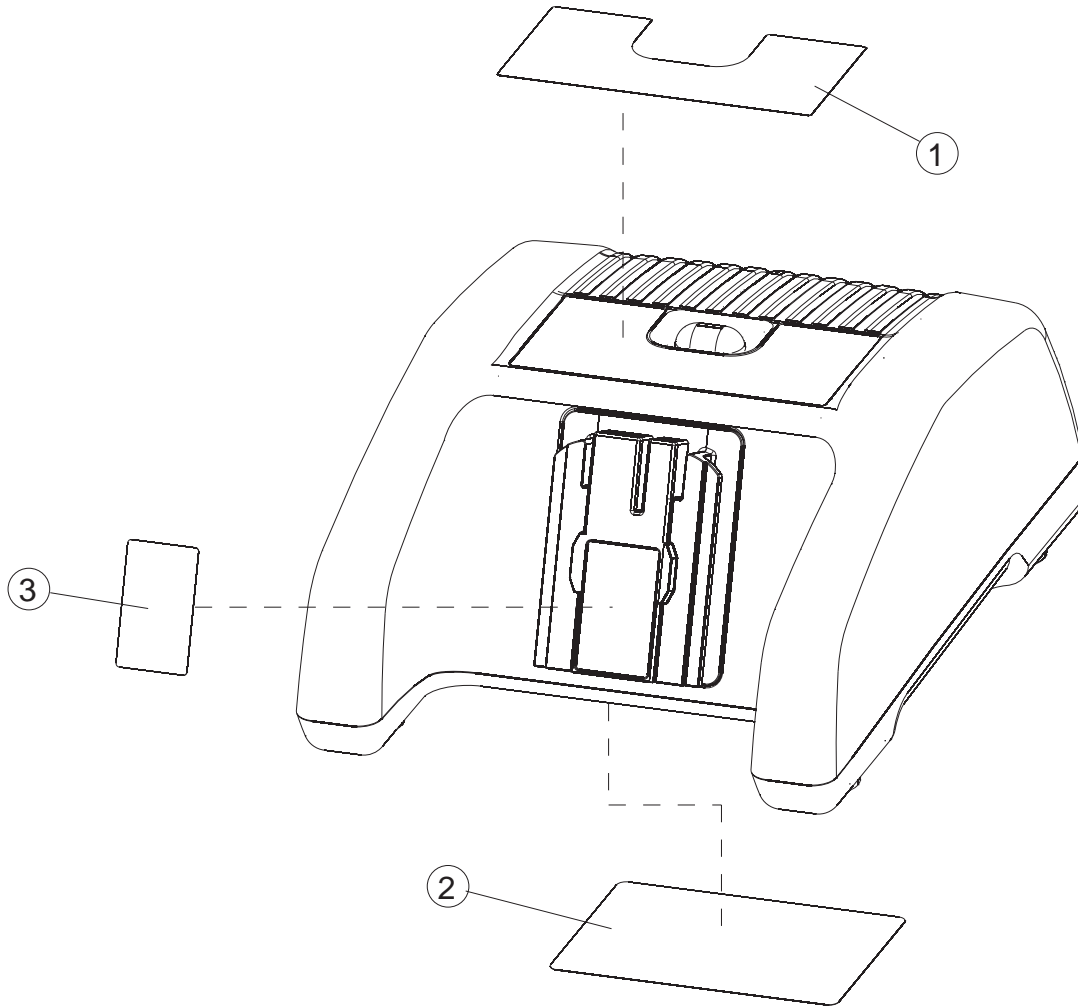


FIG.	PART NO.	DESCRIPTION OF PART	NO. REQ.
1	10-20-2455	Logo Label	(1)
2	12-20-1705	Service Nameplate	(1)
3	10-20-0895	Warning Label	(1)