



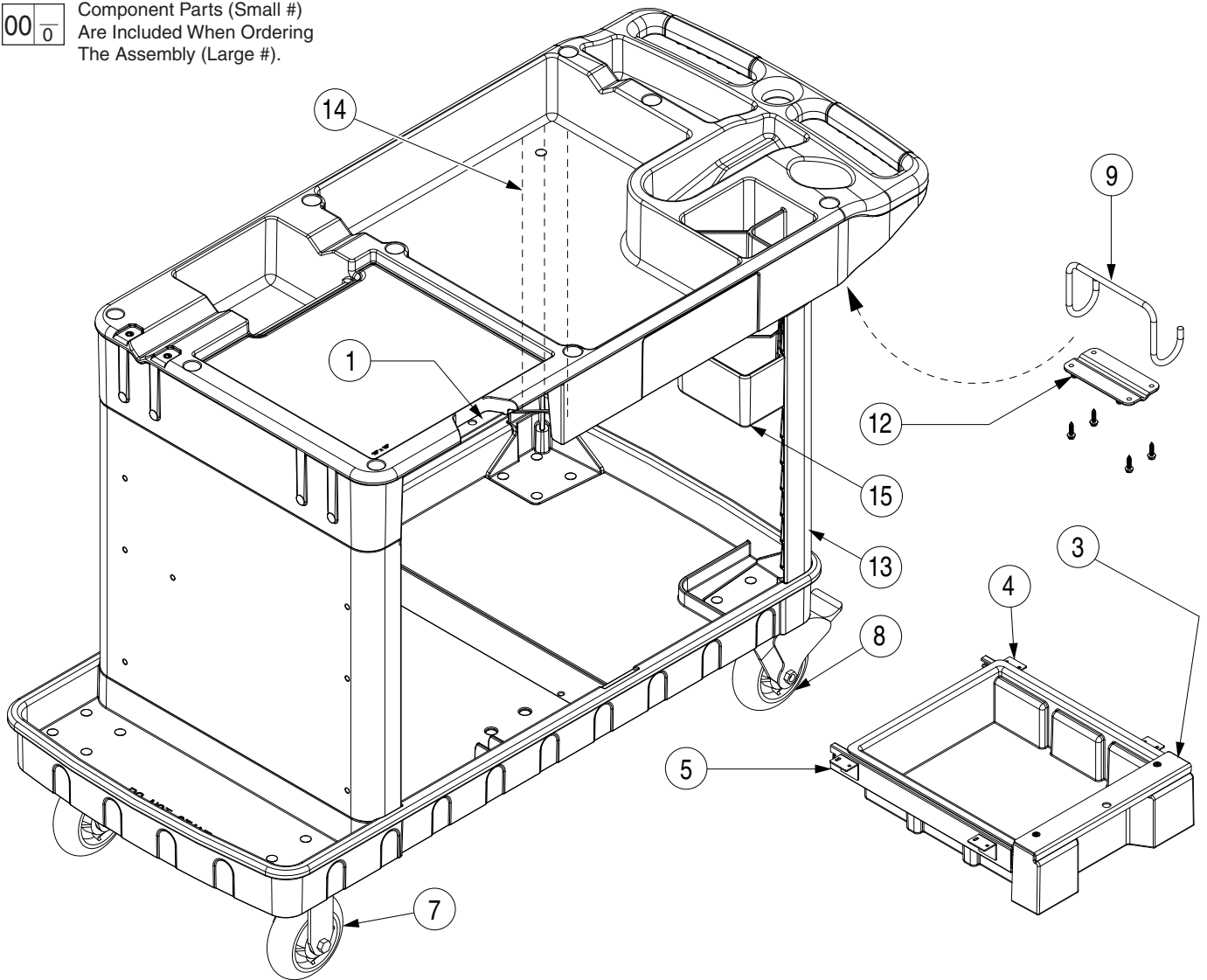
SERVICE PARTS LIST

BULLETIN NO.
54-49-0220

| | | | |
|---|----------------------|--------------------|-----------|
| SPECIFY CATALOG NO. AND SERIAL NO. WHEN ORDERING PARTS | | REVISED BULLETIN | DATE |
| Trade Titan Industrial Cart | | | Nov. 2005 |
| CATALOG NO. 48-60-5010 | SERIAL NUMBER | WIRING INSTRUCTION | |

EXAMPLE:
Component Parts (Small #)
Are Included When Ordering
The Assembly (Large #).

00 0



| FIG. | PART NO. | DESCRIPTION OF PART | NO. REQ. |
|------|------------|-----------------------------------|----------|
| 1 | 42-36-0085 | Drawer Lock Bracket | (1) |
| 3 | 43-62-0065 | Drawer Handle | (1) |
| 4 | 43-56-0425 | Drawer Glide Assembly - Right | (1) |
| 5 | 43-56-0415 | Drawer Glide Assembly - Left | (1) |
| 7 | 45-94-0445 | Fixed Caster Assembly | (2) |
| 8 | 45-94-0440 | Swivel Caster Assembly | (2) |
| 9 | 43-74-0280 | Radio Hook | (1) |
| 12 | 31-15-0045 | Radio Hook Plate | (1) |
| 13 | 31-10-0410 | Rear Upright - Left | (1) |
| 14 | 31-10-0415 | Rear Upright - Right | (1) |
| 15 | 31-10-0420 | Vertical Shelf | (1) |
| | 12-99-0052 | Service Nameplate Kit (Not Shown) | (1) |
| | 14-46-0045 | Hardware Kit (Not Shown) | (1) |